

ISOMAXX®

Thermal insulation units 120 mm
DIN EN 1992-1-1





OUR MISSION: FORWARD CONSTRUCTING.

It is our mission not only to provide the very latest building technology, but to also be one crucial step ahead of the game at all times. That is why we are constantly undertaking pioneering work in all product areas. Our employees consistently put their extensive practical experience and creativity to use in the interests of our customers. In constant dialogue with our target groups on a partnership basis, we are already developing the products today that will be needed tomorrow. Our momentum continues to set new benchmarks in structural engineering – yesterday, today and tomorrow, too. This is what we mean by "forward constructing".

INHALT

04 ■ ISOMAXX® Type overview

Thermal insulation units

10 ■ General information

26 ■ ISOMAXX® IM

Units for cantilevered balconies

36 ■ ISOMAXX® IM two-part

Units for cantilevered balconies with prefab slabs

40 ■ ISOMAXX® IM Var.

Units for connection to a wall or a vertically offset slab

48 ■ ISOMAXX® IM corner and IMT corner

Units for cantilevered corner balconies

56 ■ ISOMAXX® IMQ and IMZQ, IMQS/IMTQS and IMQZ

Units for supported balconies

64 ■ ISOMAXX® IMTQQ and IMTQQS

Units for supported balconies with lifting loads

70 ■ ISOMAXX® IMTD

Units for continuous slabs

76 ■ ISOMAXX® IMH and IME

Units for horizontal loads and earthquake loads

84 ■ ISOMAXX® IMTA, IMTF and IMO

Units for parapets, balustrades and corbels

96 ■ ISOMAXX® IMTS

Units for projecting reinforced concrete beams and joists

100 ■ ISOMAXX® IMTW

Units for cantilevered reinforced concrete walls

106 ■ ISOMAXX® Z-ISO

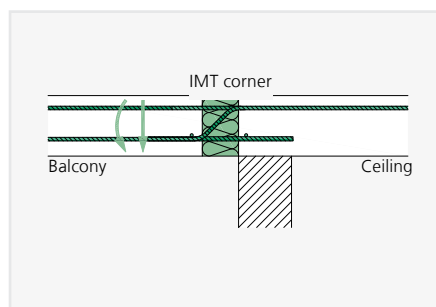
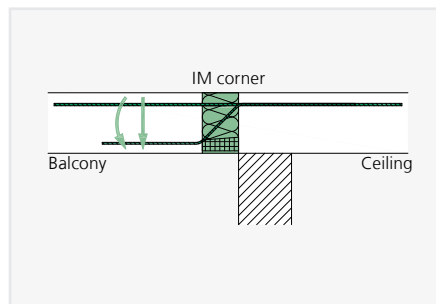
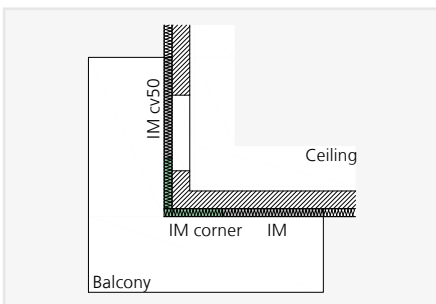
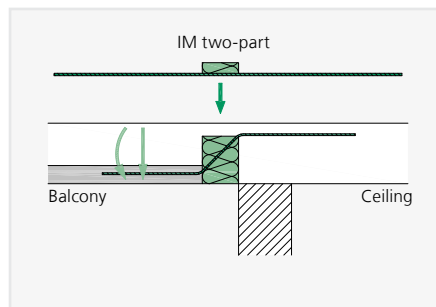
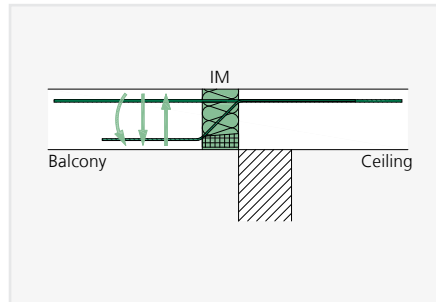
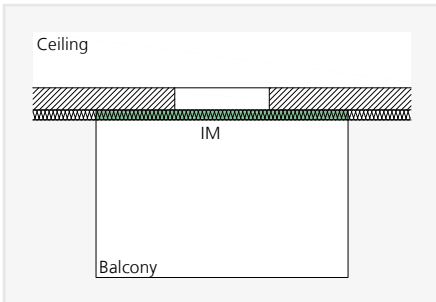
Supplement as intermediate insulation without structural function

108 ■ Service & contact

We are always there for you.
We will be wherever you are.

TYPE OVERVIEW

CANTILEVERED STRUCTURES



ISOMAXX® IM

- Transfer of negative moments as well as positive shearing forces
- Transfer of negative moments as well as positive and negative shearing forces with version IM QX
- Version with concrete compression bearings
- P. 26

ISOMAXX® IM TWO-PART

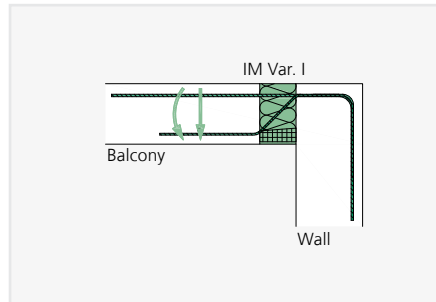
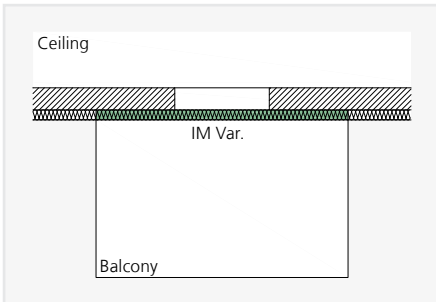
- Transfer of negative moments and positive shearing forces
- Version with concrete compression bearings
- Two-part version for prefab slabs
- P. 36

ISOMAXX® IM CORNER, IMT CORNER

- Transfer of negative moments and positive shearing forces
- Version IM with concrete compression bearings
- Version IMT with steel pressure rods
- Solution for corner balconies
- P. 48

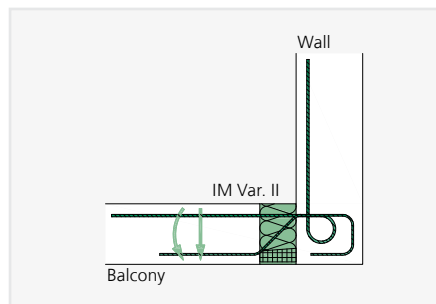
TYPE OVERVIEW

CANTILEVERED STRUCTURES AT WALL CONNECTIONS/VERTICALLY OFFSET CEILINGS



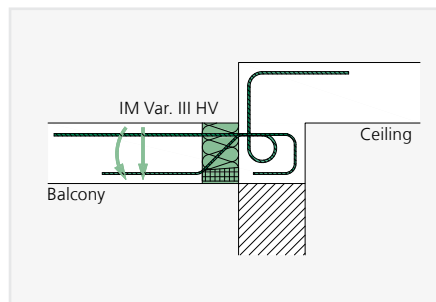
ISOMAXX® IM VAR. I

- Transfer of negative moments and positive shearing forces
- Version with concrete compression bearings
- Connection to a wall leading downwards
- P. 40



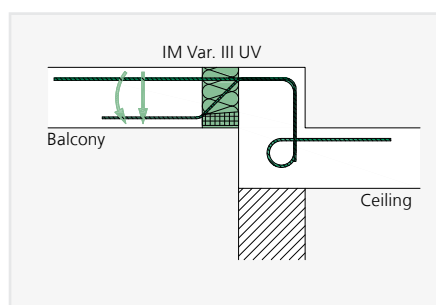
ISOMAXX® IM VAR. II

- Transfer of negative moments and positive shearing forces
- Version with concrete compression bearings
- Connection to a wall leading upwards
- P. 40



ISOMAXX® IM VAR. III HV

- Transfer of negative moments and positive shearing forces
- Version with concrete compression bearings
- Connection to a ceiling vertically offset upwards
- P. 40

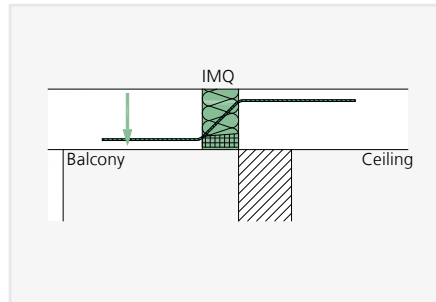
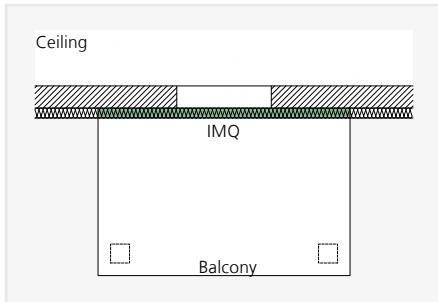


ISOMAXX® IM VAR. III UV

- Transfer of negative moments and positive shearing forces
- Version with concrete compression bearings
- Connection to a ceiling vertically offset downwards
- P. 40

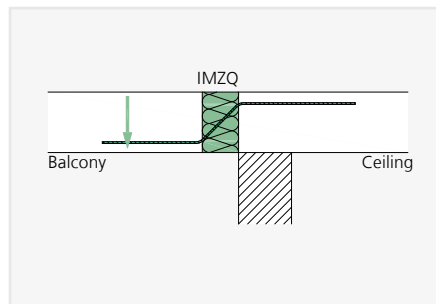
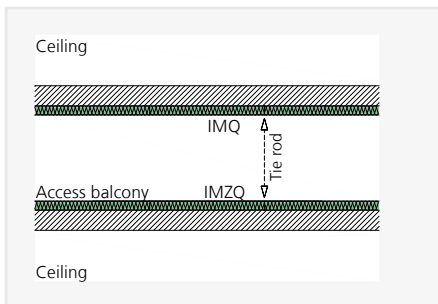
TYPE OVERVIEW

SUPPORTED STRUCTURES



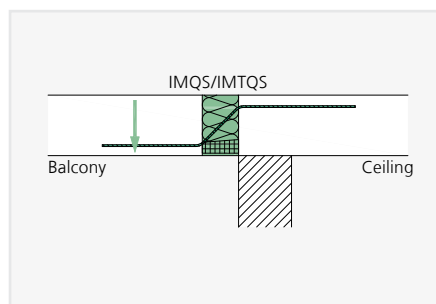
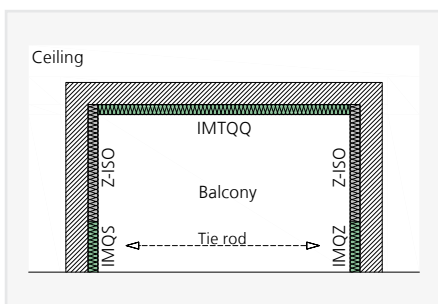
ISOMAXX® IMQ

- Transfer of positive shearing forces
- Version with concrete compression bearings
- P. 56



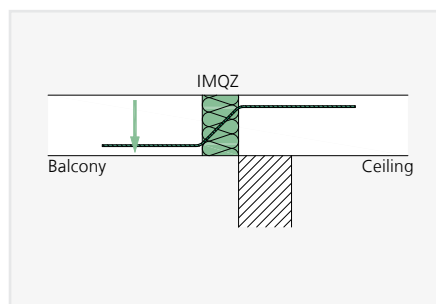
ISOMAXX® IMZO

- Transfer of positive shearing forces
- Version without compression bearings for constraint-free connections
- P. 56



ISOMAXX® IMQS/IMTQS

- Transfer of positive shearing forces
- IMQS version with concrete compression bearings
- IMTQS version with steel pressure rods
- Short unit for bearing loads at specific points
- P. 56

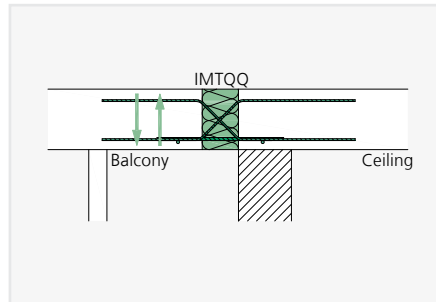
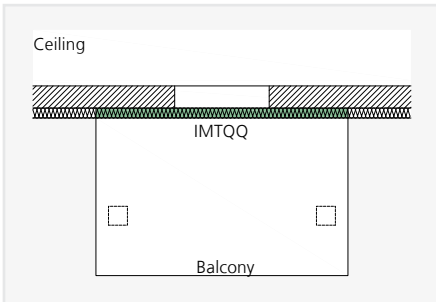


ISOMAXX® IMOZ

- Transfer of positive shearing forces
- Version without compression bearings for constraint-free connections
- Short unit for bearing loads at specific points
- P. 56

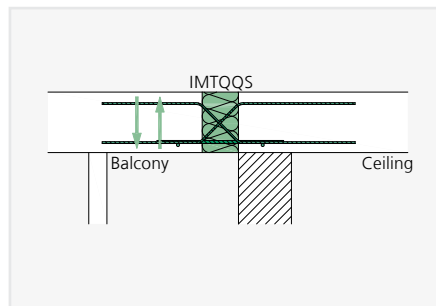
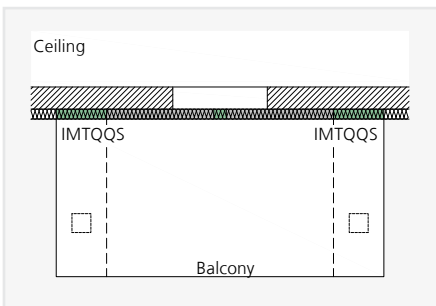
TYPE OVERVIEW

SUPPORTED STRUCTURES WITH LIFTING LOADS



ISOMAXX® IMTQQ

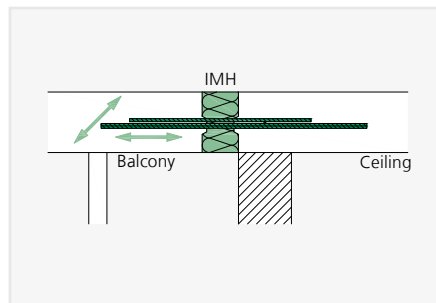
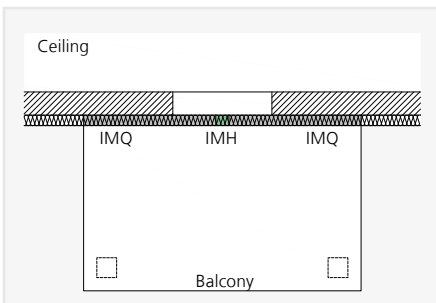
- Transfer of negative and positive shearing forces
- Version with steel pressure rods
- P. 64



ISOMAXX® IMTQOS

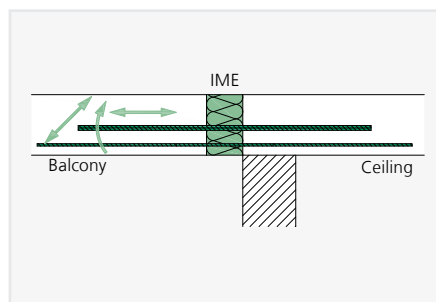
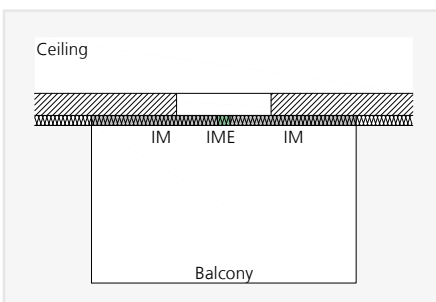
- Transfer of negative and positive shearing forces
- Version with steel pressure rods
- Short unit for bearing loads at specific points
- P. 64

HORIZONTAL LOADS AND EARTHQUAKE LOADS



ISOMAXX® IMH

- Transfer of horizontal loads parallel and/or perpendicular to the insulation plane
- P. 76

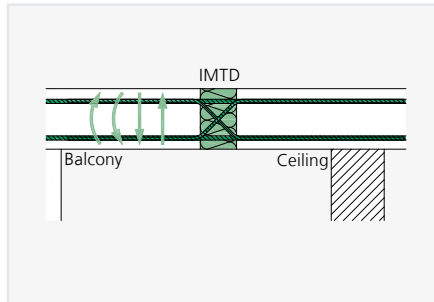
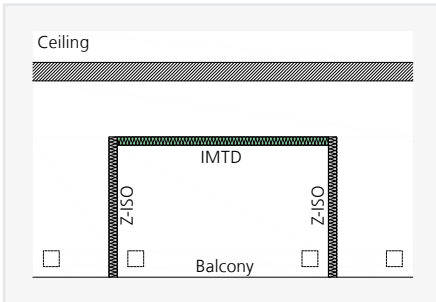


ISOMAXX® IME

- Transfer of horizontal loads parallel and perpendicular to the insulation plane
- In combination with ISOMAXX® units IM and IMTD: transfer of positive moments
- Used for earthquake
- P. 80

TYPE OVERVIEW

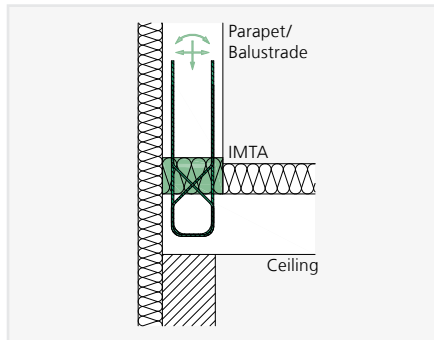
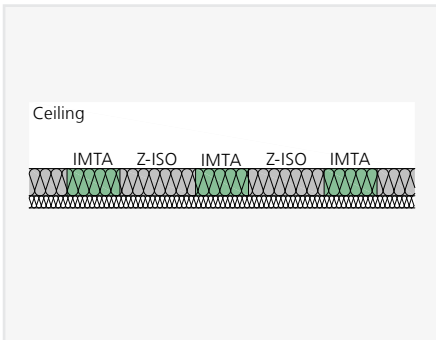
CONTINUOUS SLABS



ISOMAXX® IMTD

- Transfer of positive and negative moments and shearing forces
- Version with tension/pressure rods
- P. 70

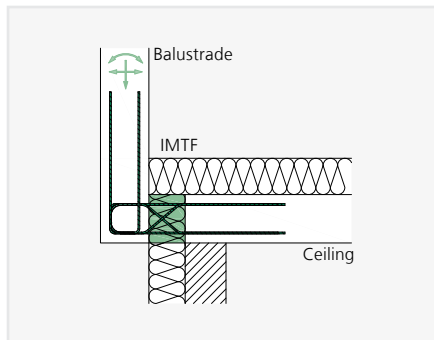
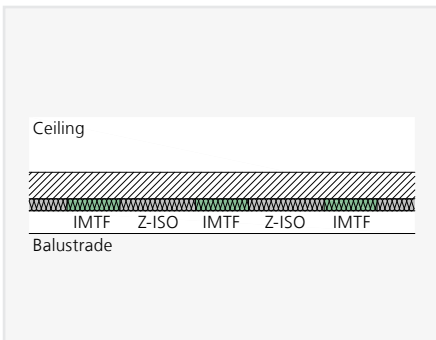
PARAPETS AND BALUSTRADES CONNECTED TO THE HORIZONTAL FACE



ISOMAXX® IMTA

- Transfer of moments, normal forces and horizontal forces
- Used at specific points
- P. 84

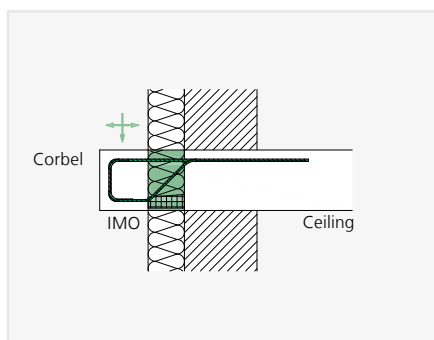
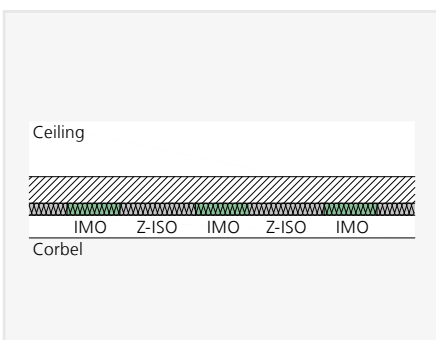
BALUSTRADE CONNECTED TO THE VERTICAL FACE



ISOMAXX® IMTF

- Transfer of moments, shearing forces and horizontal forces
- Used at specific points
- P. 88

CORBEL

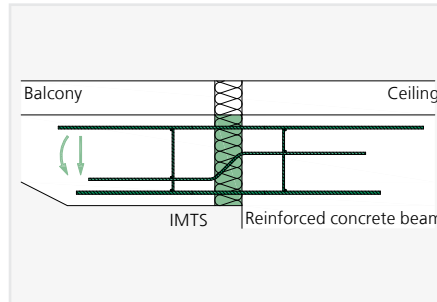
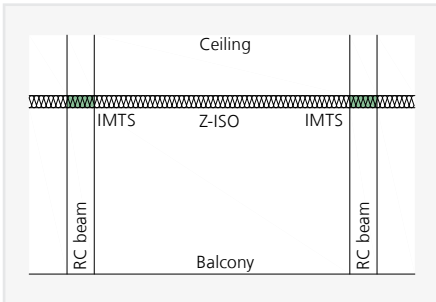


ISOMAXX® IMO

- Transfer of shearing forces and horizontal forces
- Used at specific points
- P. 92

TYPE OVERVIEW

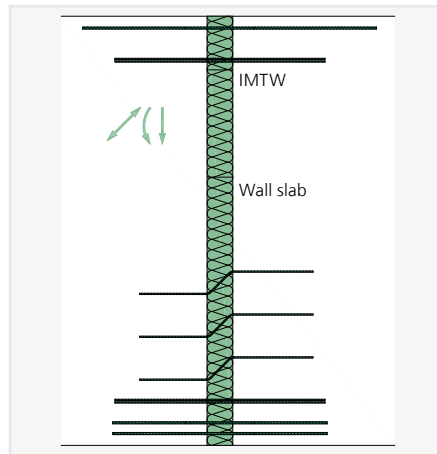
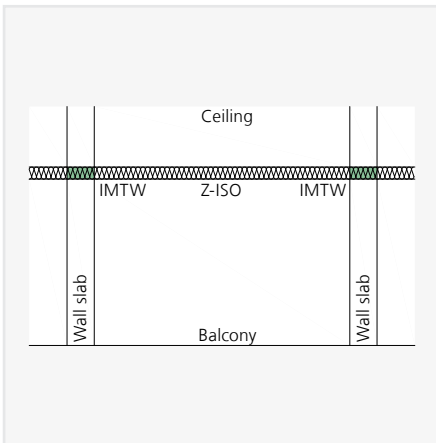
BEAMS



ISOMAXX® IMTS

- Transfer of negative moments and positive shearing forces
- Version with pressure rods
- P. 96

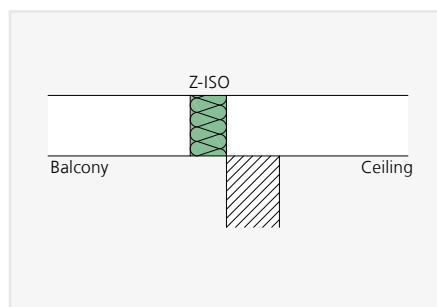
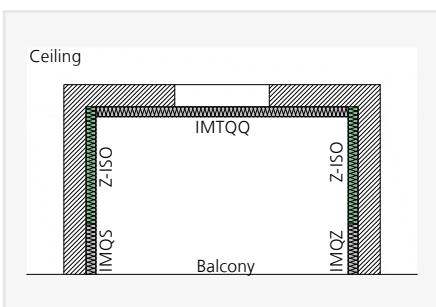
WALLS



ISOMAXX® IMTW

- Transfer of negative moments, positive shearing forces and horizontal forces
- Version with pressure rods
- P. 100

INTERMEDIATE INSULATION



ISOMAXX® Z-ISO

- No structural function
- Intermediate insulation for support at specific points
- P. 106

PRODUCT INFORMATION

FUNCTION OF THE ISOMAXX® UNIT

As a load-bearing thermal insulation unit, ISOMAXX® undertakes the following functions:

- Thermal separation of reinforced concrete components to resolve structural problems at the transition between internal and external components
- Frictional connection of the reinforced concrete components across the insulating joint

The load transfer across the joint is carried out by means of tension and shear rods as well as a pressure component. Depending on the ISOMAXX® type, the pressure component is designed as a pressure unit made of special concrete (IM unit) or as a steel pressure rod (IMT unit). For corrosion-protection reasons, and to reduce heat transition through the structural components, stainless steel reinforcement units are implemented in the area of the insulating body. The transition from stainless steel to carbon steel is carried out using a special welding method. In the area of the insulating body the tension rods of standard units are made of stainless steel and have a reduced diameter compared to the adjoining carbon steel rods.

The ISOPRO® unit is available in different load-bearing capacities. With regard to the load-bearing capacities, the units vary in terms of the number and diameter of tension and shear rods, as well as the number of pressure components. To increase stability, constructive connectors are fitted on the ceiling side for large rod diameters. In principle, the units are available in heights from 160 mm. However, depending on the diameter of the shear rod used, there may be restrictions in terms of the minimum height.

During installation it is crucial to note the direction of installation indicated on the label. The direction of installation is marked clearly on each unit by the indication of the top and an arrow to the balcony side (of the cold area).

MATERIALS OF THE ISOMAXX® UNIT

Tension, shear, pressure rod:	Reinforcing steel B500B Stainless steel rebar according to general technical approval Material no. 1.4571, 1.4362 or 1.4482
Compression bearing:	High-performance special concrete
Insulating body:	NEOPOR®*, rigid polystyrene foam, $\lambda = 0.031 \text{ W/mK}$
Fireproof panels:	Fibre-cement panels of building material class A1

GENERAL TECHNICAL APPROVALS

ISOMAXX®:	Z-15.7-243 and Z-15.7-244, DIBt Berlin
-----------	--

MATERIALS OF THE ADJOINING PARTS

Concrete:	Standard concrete acc. to DIN 1045-1 or DIN EN 206-1 with a raw density of 2000 to 2600 kg/m ³
Concrete strength classes:	External components $\geq \text{C}25/30$ Internal components $\geq \text{C}20/25$
Reinforcing steel:	B500B

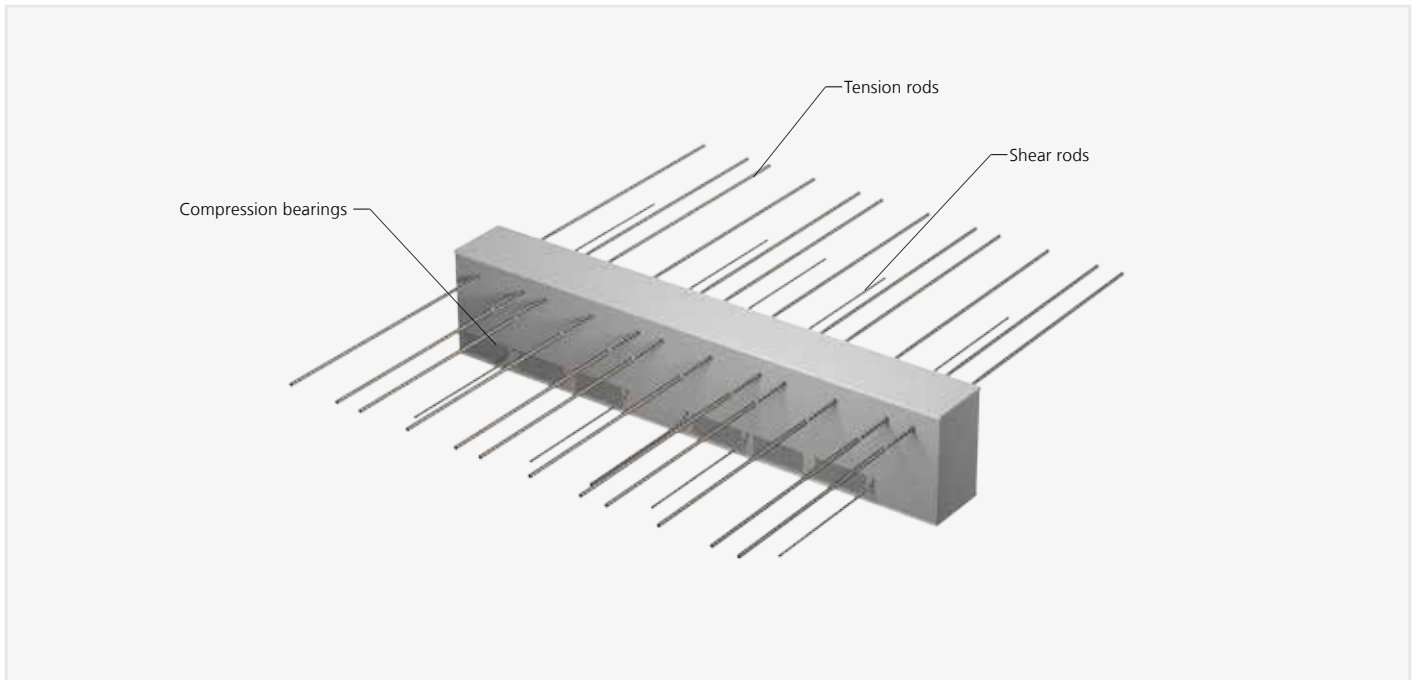
SUPPLEMENTARY REINFORCEMENT

The components adjoining the ISOMAXX® units are reinforced in accordance with the structural engineer's design based on the structurally required reinforcement.

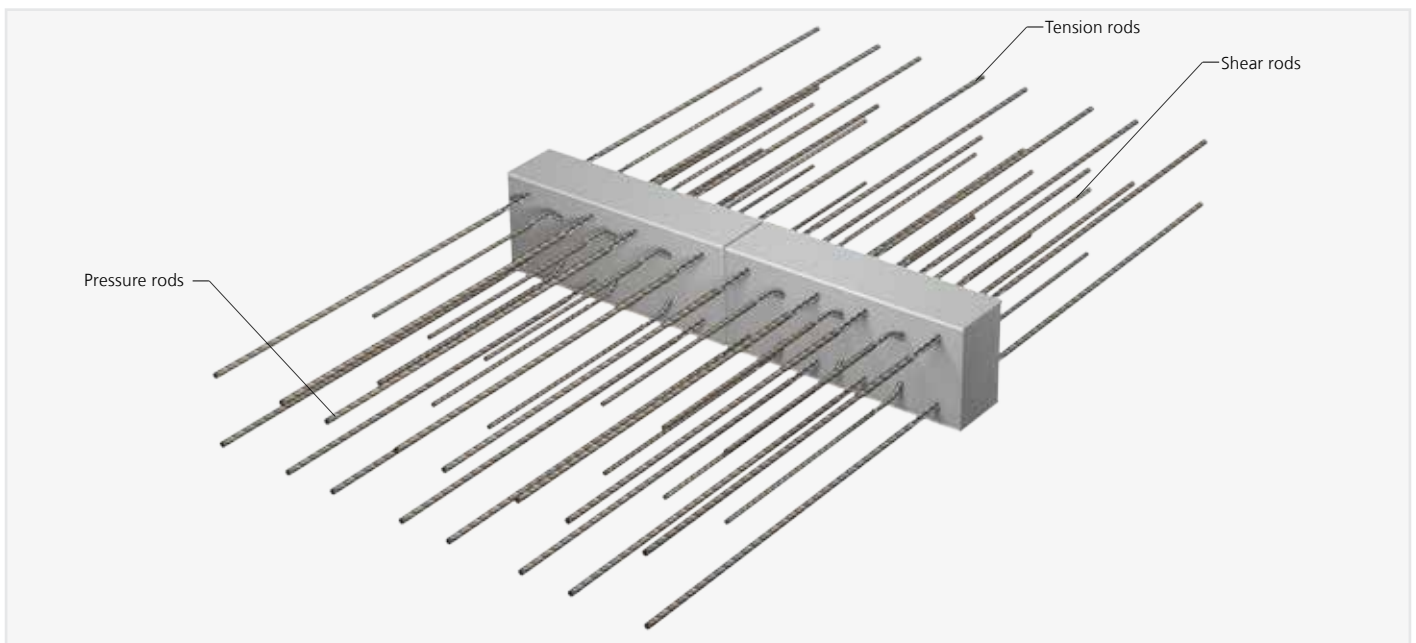
*Neopor® is a registered trademark of BASF, Ludwigshafen

PRODUCT COMPONENTS

ISOMAXX® IM



ISOMAXX® IMTD



Our Applications Technology department would be pleased to assist in finding further solutions.

Phone: +49 (0) 7742 9215-300

Fax: +49 (0) 7742 9215-319

E-mail: technik@h-bau.de

CONCRETE COVERING

EXPOSURE CLASS AND CONCRETE COVERING

The minimum concrete strength for the components adjoining the ISOMAXX® units as well as the required concrete covering c_v for the ISOMAXX® units are calculated according to the exposure class and the approval. The higher minimum concrete strength class is definitive in each case.

Reinforcement corrosion		Minimum concrete strength class			Concrete covering [mm]	
DIN EN 1992-1-1		DIN EN 1992-1-1/NA	Requirement internal components (acc. approval)	Requirement external components (acc. approval)	Components c_{nom}	ISOMAXX® c_v
XC3	Moderate humidity, external components, wet areas	C20/25	C20/25	C25/30	35	30
XC4	Alternately wet and dry, external components directly exposed to rain	C25/30			40	35
XD1	Moderate humidity, spray zone from road surfaces	C30/37			55	50
XS1	Salty air, external components near coast	C30/37			55	50
XD1	Moderate humidity, spray zone from road surfaces	C30/37			55	50
XS1	Salty air, external components near coast	C30/37			55	50

ISOMAXX® CONCRETE COVERING

- In accordance with DIN EN 1992-1-1/NA, the c_v dimension of the ISOMAXX® units may be reduced by $\Delta c_{dev} = 5$ mm using suitable quality measures during production.
- For ISOMAXX® types IM/IM two-part/IM Var., c_v35 or c_v50 can be selected for the tension rod concrete covering.
- The ISOMAXX® IM corner and IMT corner unit is available with the concrete covering of c_v35/c_v50 for the tension rods.
- For the shear units, the concrete covering at the top is c_v35 to c_v85 , depending on the height.
- The concrete covering for pressure rods and shear rods at the bottom is generally c_v30 (usually lower exposure compared to the top side of the balcony).
- ISOMAXX® IMTD units have a bottom concrete covering of c_v30 for the selected top concrete covering of c_v35 , and a bottom concrete covering of c_v50 for the selected top concrete covering of c_v50 .

DESIGN AND INSTALLATION

NOTES ON DESIGN

- The design for the reinforced concrete components adjoining the ISOMAXX® units is provided by the structural engineer.
- When there are different concrete qualities in the adjoining components (e.g. balcony C25/30; ceiling C20/25), the lower concrete quality is definitive for designing ISOMAXX® units.
- The specified design values apply to concrete qualities \geq C25/30. Values for C20/25 on request.
- The specified table values for supplementary reinforcement apply to full utilisation of the ISOMAXX® units. A reduction by m_{Ed}/m_{Rd} or v_{Ed}/v_{Rd} is permissible.
- The specified minimum heights depending on the shearing force load-bearing capacity apply to concrete cover cv35. The minimum heights must be increased by 20 mm accordingly for cv50.
- To bear planned horizontal loads, the ISOMAXX® IM units must be combined with ISOMAXX® IMH or IME short units.
- ISOMAXX® units for cantilevered constructions without live load, but with an ordinary moment from a load not increasing the shear forces, must be proven separately by our application technology
- For reinforcement, please note ability for concrete pouring. This applies in particular to ISOMAXX® units with a high number of rods.

SPECIAL UNITS

- Beyond the standard units listed in this documentation, we also offer special structures tailored to the construction project, resultant forces and component geometry. Planning, design and production of special structures is carried out in compliance with the requirements of the approvals and according to DIN EN 1992-1-1 and DIN EN 1992-1-1/NA.

HANDLING AND INSTALLATION ON SITE

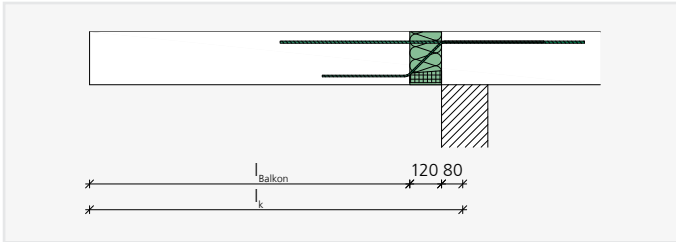
- When using ISOMAXX® units with concrete compression bearings, please ensure that the frictional connection between the compression bearing and the concrete of the component is guaranteed. When using prefab slabs, an in-situ concrete or grouting strip at least 100 mm wide must be taken into account.
- For simultaneous use of ISOMAXX® units with steel pressure rods and prefab slabs on the ceiling side, it must be ensured that the width of the in-situ concrete strip is matched to the length of the pressure rods.
- When using ISOMAXX® units with fire protection version R 90/REI 120, please ensure that the fireproof panels are not damaged.
- Please note that subsequent bending of the reinforcement rods on site will render the approval and warranty by H-BAU Technik GmbH void.
- On site partition of ISOMAXX® metre units is possible – reduced load-bearing capacity and minimal edge distance of the ISOMAXX® components must be taken into consideration.
- In highly reinforced structures (e.g. joists) it should be considered to install the ISOMAXX® unit before the supplementary reinforcement.

DESIGN

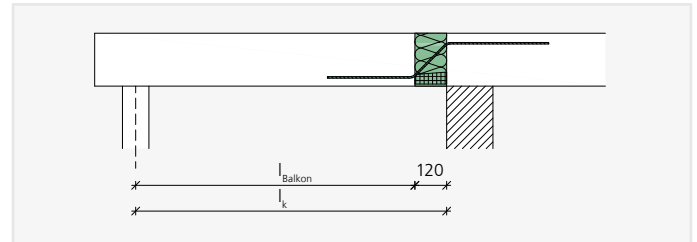
DESIGN OF ISOMAXX® UNITS – FEM CALCULATION/MANUAL CALCULATION

DEFINITION OF SYSTEM

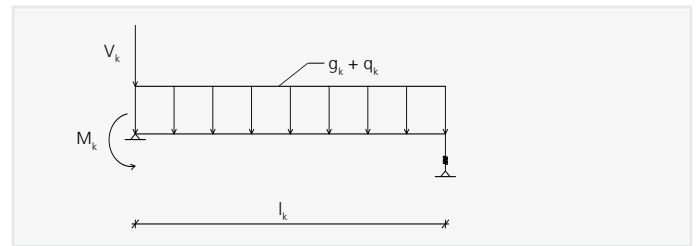
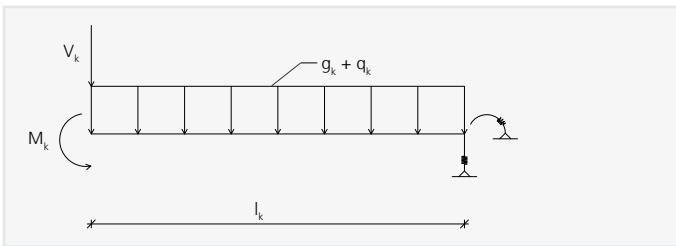
Cantilevered balcony



Supported balcony



System



SUPPORT CONDITIONS

Manual calculation: Clamped

Hinged

FEM calculation:

Torsion spring: 10.000 kNm/rad/m

Torsion spring: –

Vertical spring: 250.000 kN/m/m

Vertical spring: 250.000 kN/m/m

LOAD ASSUMPTIONS

g_k : Permanent loads (dead load + superimposed load)

q_k : Live load

V_k : Edge load (railings, balustrade, plinth, etc.)

M_k : Edge moment (due to horizontal load on railings, balustrade, etc.)

METHOD FOR FEM CALCULATION

- Calculate the balcony slab as a separate system from the load-bearing structure of the building
- Define supports in the connecting area with the aforementioned rigidities
- Calculate resultant forces using linear-elastic approach
- Select ISOMAXX® units
- Set the calculated resultant forces as the edge load for the load-bearing structure of the building

NOTE

If the rigidity ratios along the slab edge vary significantly (e.g. supports along the slab edge and no continuous wall), the balcony slab should not be calculated as a system separate from the building. In this case, a hinged line should be defined along the edge of the balcony slab, with the aforementioned rigidities. The ISOMAXX® units can be determined based on the joint forces.

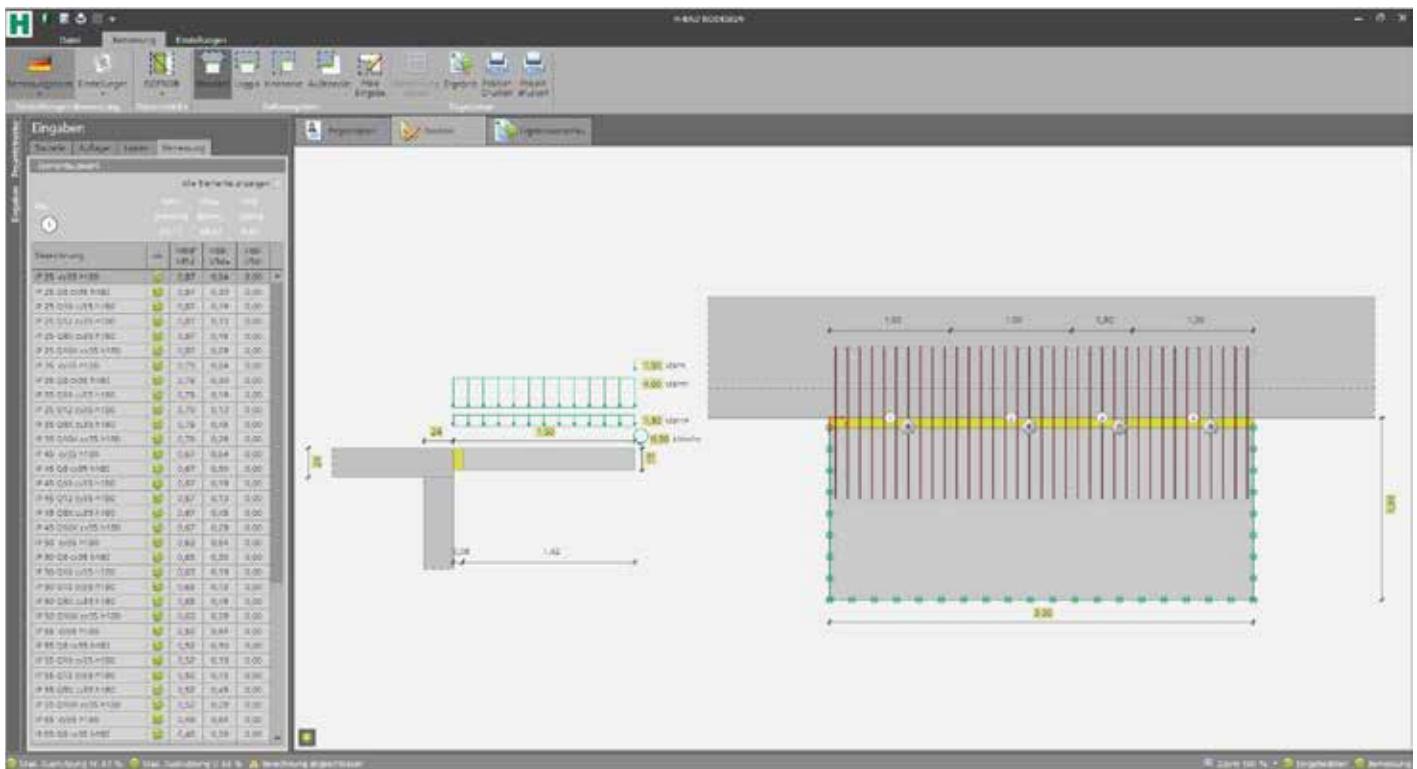
DESIGN

DESIGN OF ISOMAXX® UNITS – SOFTWARE ISODESIGN

The program ISODESIGN allows us to pass on to you our many years of experience in designing our ISOMAXX® thermal insulation units for the most common balcony systems.

You can choose between different balcony systems comprising a cantilevered balcony, balcony on supports, loggia, internal corner balcony and external corner balcony or you can work with the free input tool to enter unusual geometries. After entering the geometric data and the applied loads, you can select the corresponding ISOMAXX® units.

The arrangement and geometric parameters of the ISOMAXX® units can be checked for feasibility in the layout and cross-section. A static printout and a parts list are available for further processing.



ADVANTAGES

- All common balcony systems can be selected
- Design with FEM-module
- Log output including proof

Our Applications Technology department would be pleased to assist in finding further solutions.

Phone: +49 (0) 7742 9215-300

Fax: +49 (0) 7742 9215-319

E-mail: technik@h-bau.de

PROOF OF SERVICEABILITY

CAMBERS AND BENDING SLENDERNESS

CAMBERS

A cantilevered slab deforms under load, with the maximum deflection occurring at the end of the cantilever arm. If a cantilevered slab is connected to an ISOMAXX® unit, the share of deflection from the slab itself must be superimposed with that of the ISOMAXX® unit in order to calculate the maximum deflection.

The ISOMAXX® tension and pressure components behave in approximately the same way as a spring system that is stretched or compressed. The resulting angle of rotation α is used to calculate the maximum deflection by the ISOMAXX® unit.

We recommend providing proof of the limit state of serviceability for the quasi-permanent load case combination. To calculate the required camber of the cantilevered slab, the deflection should be rounded up or down according to the direction of the planned drainage.

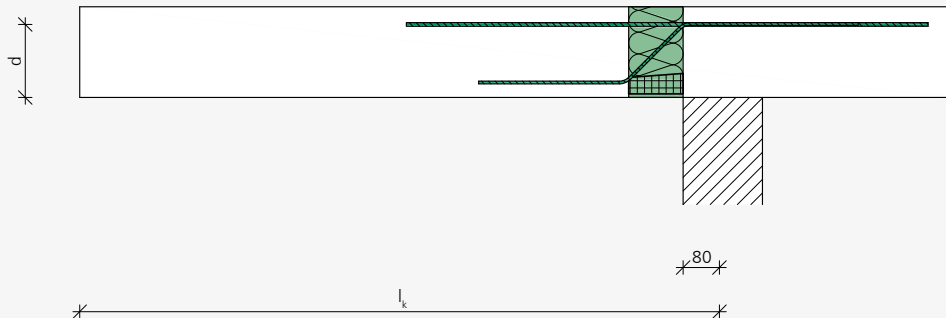
For the calculation of the deflection of the ISOMAXX® units please refer to product chapters.

W_1 = deflection due to slab
 W_2 = deflection due to thermal insulation unit



BENDING SLENDERNESS

The bending slenderness is defined as the ratio of the static height d of the balcony slab to the cantilever length l_k . The bending slenderness of a slab has an impact on its vibration characteristics. We therefore recommend limiting the bending slenderness. Limits for the bending slenderness are specified on page 31.

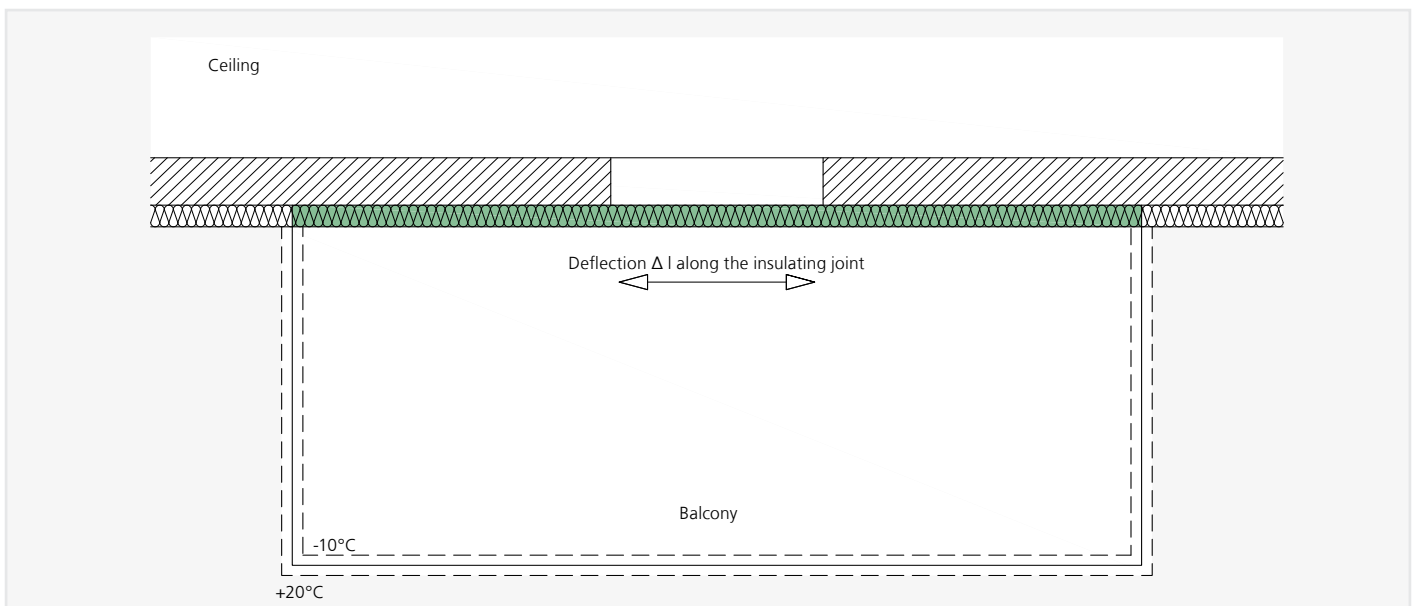


ISOMAXX® IM – Static system

DISTANCE BETWEEN EXPANSION JOINTS

DISTANCE BETWEEN EXPANSION JOINTS

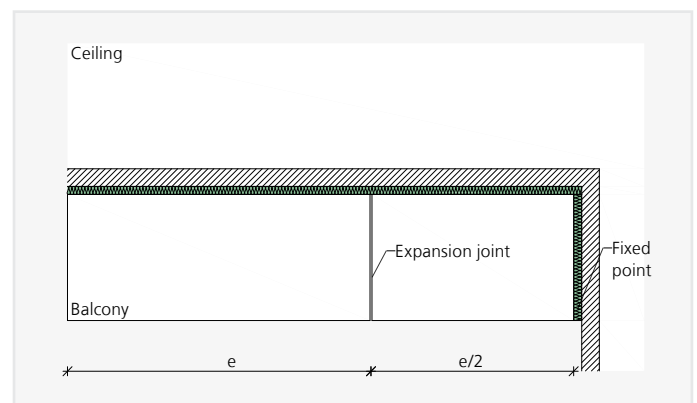
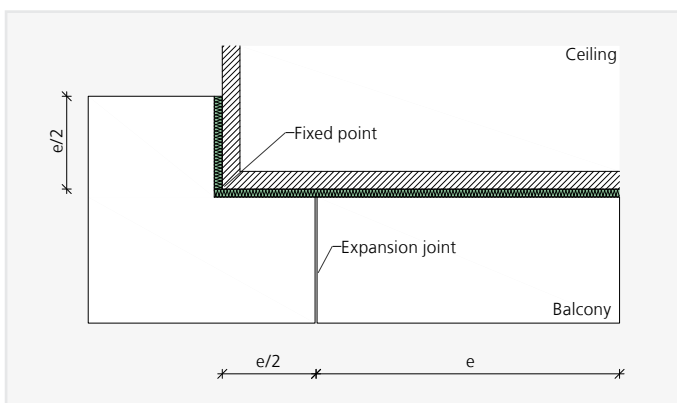
Due to the influence of temperature on external components such as balconies or canopies, deflection of reinforced concrete components can occur. These components expand when heated and contract when cooled. If the reinforced concrete components are thermally separated with ISOMAXX® units, then deflection of the ISOMAXX® components parallel to the insulating joint occurs due to the deflection of the reinforced concrete slab.



Balcony slab under influence of temperature

To limit the stress on ISOMAXX® units as a result of the influence of temperature, very long reinforced concrete components must be separated using expansion joints. The maximum permissible distance between expansion joints e is regulated in the technical approval. The maximum permissible distance between expansion joints e is dependent on the rod diameter and therefore on the ISOMAXX® types used. Details can be found in the respective product sections. The use of fixed points such as corner supports or the use of ISOMAXX® IMH or IME units results in increased constraints, which means the maximum permissible distance between expansion joints must be reduced to $e/2$.

To prevent uneven settlement of the structural components separated by expansion joints, we recommend connecting the slabs with longitudinally displaceable shear dowels type HED.



Expansion joint layout for different balcony systems

THERMAL INSULATION

THERMAL BRIDGES

Thermal bridges are weak points in the heat-conducting building envelope, which result in a locally increased heat loss in comparison with standard components. We distinguish between thermal bridges caused by geometric factors, where there is a larger external surface opposite the thermal outflow of the internal surface, and thermal bridges caused by material factors, where an increased heat loss occurs due to local installation parts or material changeovers.

IMPACT OF THERMAL BRIDGES

Thermal bridges have a significantly higher heat flow in comparison with the rest of the envelope surface. This increased heat flow causes the inside surface temperature to fall sharply in this area. The consequence is an increased heating energy requirement.

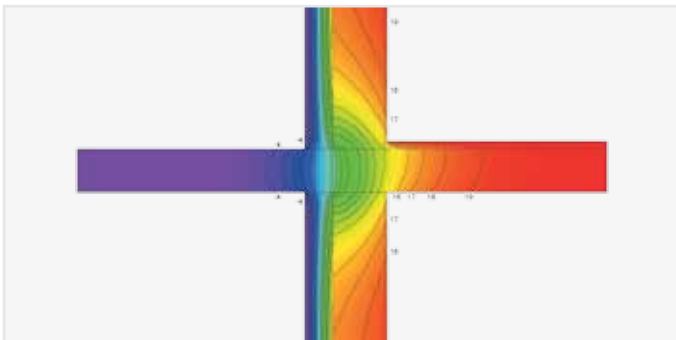
If a further drop in the surface temperature causes the temperature to fall below the dew point temperature, the humidity in the room air condenses, which causes condensation to form on the cold surfaces concerned. This can lead to the formation of mould and the resulting health burdens.

THE BALCONY THERMAL BRIDGE

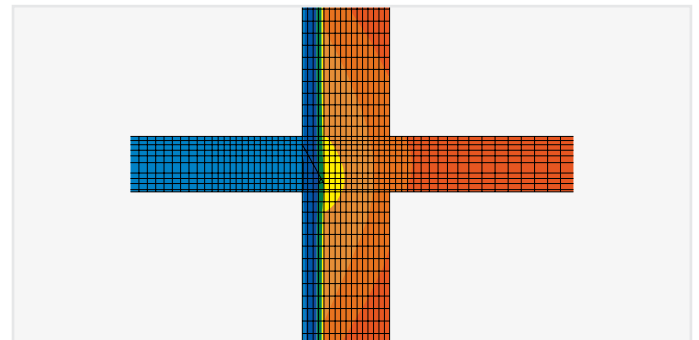
A balcony designed as a projecting reinforced concrete slab is the classic example of a linear thermal bridge.

If a highly heat-conductive reinforced concrete slab penetrates the thermal insulation layer of the building, the effects of the thermal bridges – caused by geometric factors – are superimposed by the large external surface and the effects of the material-dependent thermal bridge. The results are a significant cooling of the ceiling in the rooms and, as a result, increased heating costs, condensation and mould formation.

If ISOMAXX® thermal insulation units are used in the connecting area between the reinforced concrete slabs and the building, thermal bridges are minimised.



Temperature distribution in continuous reinforced concrete slab



Temperature distribution in thermally separated reinforced concrete slab

THERMAL INSULATION

THERMAL INSULATION CERTIFICATE – THERMAL BRIDGES IN ACCORDANCE WITH EnEV

For the energy performance certificate according to the German Energy Saving Regulation EnEV, all losses caused by thermal bridges must be accounted for. There are three methods of recording the calculations.

If there is no documentation of thermal bridges or if their design does not comply with the construction examples in accordance with DIN 4108 supplementary sheet 2:2006-03, a penalty surcharge on the mean U-value of the entire building of $\Delta U_{WB} = 0.10 \text{ W}/(\text{m}^2\text{K})$ must be taken into consideration. Further documentation is not necessary.

The thermal bridge surcharge may be reduced to $\Delta U_{WB} = 0.05 \text{ W}/(\text{m}^2\text{K})$ if all thermal bridges in the building are implemented in compliance with DIN 4108 supplementary sheet 2:2006-03. Conformity of balcony insulation units with DIN 4108 supplementary sheet 2:2006-03 fig. 70 is regulated in the general technical approval. In accordance with approvals Z-15.7-243 and Z-15.7-244, ISOMAXX® units meet the requirements according to DIN 4108 supplementary sheet 2:2006-03, which enables use of the reduced thermal bridge surcharge $\Delta U_{WB} = 0.05 \text{ W}/(\text{m}^2\text{K})$.

Another option for consideration of thermal bridges is providing detailed evidence of each individual thermal bridge present in the building, in accordance with DIN V 4108-6:2003-06. In this case, the thermal bridge coefficients of loss ψ for linear thermal bridges and χ for thermal bridges at specific points as well as the temperature factors $f_{RSI} \geq 0.7$ must be calculated for all thermal bridges in a building.

OVERVIEW OF THE METHODS ACCORDING TO EnEV:

	Method 1	Method 2	Method 3
Description	The thermal bridges of the building are not documented individually and do not comply with the design according to DIN 4108 supplementary sheet 2:2006-03	The thermal bridges of the building are designed in compliance with DIN 4108 supplementary sheet 2:2006-03	The thermal bridges have been calculated in detail and documented according to DIN V 4108-6:2003-06 in connection with other recognised rules of technology (DIN EN ISO 10211)
Proof	No further proof	Regulated in the approvals for the balcony insulation units	Proven through detailed, three-dimensional thermal bridge calculation
Consideration	General: $\Delta U_{WB} = 0.10 \text{ W}/(\text{m}^2\text{K})$	General: $\Delta U_{WB} = 0.05 \text{ W}/(\text{m}^2\text{K})$	Detailed: $H_T = \sum U_i \cdot A_i \cdot F_{x,i} + \sum \psi_i \cdot l_i \cdot F_{x,i} + \sum \chi_i \cdot F_{x,i}$

NOTES

- It is not permissible to use a combination of the different methods.
- Object-related calculation of ψ values on request.

Our Applications Technology department would be pleased to assist in finding further solutions.

Phone: +49 (0) 7742 9215-300

Fax: +49 (0) 7742 9215-319

E-mail: technik@h-bau.de

THERMAL INSULATION – IMPACT SOUND INSULATION

THERMAL INSULATION – BUILDING PHYSICS CHARACTERISTICS

The general technical approval for ISOMAXX® requires the assessment of the risk of condensation or the undercutting of the condensation water temperature for the building components.

Herefore the mathematical verification shall be performed in accordance with DIN 4108-2, Section 6.2. The temperature factor shall be verified at the most unfavourable point for the minimum requirements of $f_{RSi} \geq 0.7$ and $\theta_{si} \geq 12.6$ °C in accordance with DIN EN ISO 10211. All ISOMAXX® thermal insulation elements meet the requirements by far. The following table gives examples of the physical characteristics of some ISOMAXX® elements:

ISOMAXX® Type	Installation situation ETICS [mm]	ψ -Wert [W/mK]	f_{RSi} []	θ_{si} [°C]	λ_{eq} [W/mK]	R_{eq} [m ² K/W]
IM 25 Q8 h180	200	0.138	0.928	18.2	0.136	0.882
IM 50 h200	200	0.174	0.920	18.0	0.158	0.759
IM 100 Q10 h240	200	0.254	0.900	17.5	0.205	0.585
IMQ 30 h200	200	0.112	0.936	18.4	0.100	1.200

The general technical approval also regulates the consideration of the increased transmission heat loss according to DIN V 4108-6: The slab connection may be regarded as a thermally separated construction within the meaning of DIN 4108, sheet 2, if no more precise proof is provided. Therefore, the reduced specific thermal bridge surcharge of $\Delta U_{WB} = 0.05$ W/m²K can be calculated for the entire surrounding area when the flat-rate verification method is applied.

IMPACT SOUND INSULATION – NORMATIVE FRAMEWORKS

The revised version of DIN 4109 of January 2018 shows minimum sound insulation requirements for balconies of multi-family houses, office buildings and mixed-use buildings, as no requirements had been set for them earlier.

People on balconies cause noises that are transmitted to the adjacent, so-called vulnerable rooms if sound insulation is missing. For balconies connected with thermal insulation units the transmission of structure-borne noise to vulnerable rooms is lower in comparison to through-cast reinforced concrete slabs.

Noise levels are classified by the evaluated standard impact sound level $L'_{n,w}$. The reduction of impact sound by the use of thermal insulation units is measured by the assessed impact sound level difference $\Delta L_{n,v,w}$.

MEASUREMENT OF IMPACT SOUND OF ISOMAXX® UNITS

For three ISOMAXX® units the evaluated standard sound levels and the assessed impact sound level differences were determined by way of example at the Fraunhofer Institute for Building Physics in Stuttgart. The minimum requirements of DIN 4109 were met by the tested ISOMAXX® units. If there are higher sound insulation requirements for a construction project, the impact sound level can be further reduced by additional measures (such as the use of underlay mats).

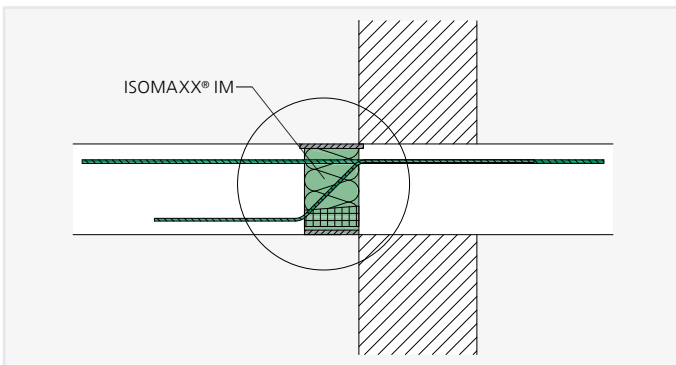
FIRE PROTECTION

FIRE RESISTANCE CLASSES R 90/REI 120

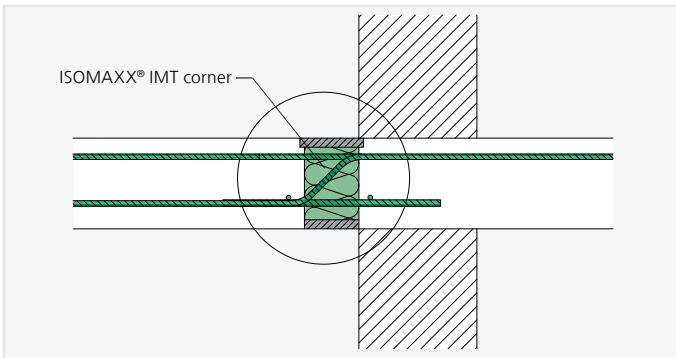
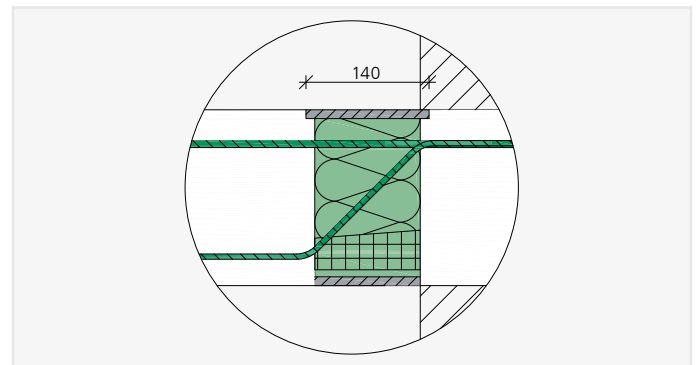
Where there are fire protection requirements regarding the fire resistance class of components, all ISOMAXX® units with concrete compression bearings are available in fire resistance class REI 120 and all ISOMAXX® units with a steel pressure plane are available in fire resistance class R 90.

To this end, the ISOMAXX® units are fitted with fireproof panels on the top and bottom ex works. The short units IMQS / IMQZ / IMTQQS / IMTA / IMTF / IMO as well as elements for beams and walls IMTS and IMTW are produced with all-round fireproof panels ex works.

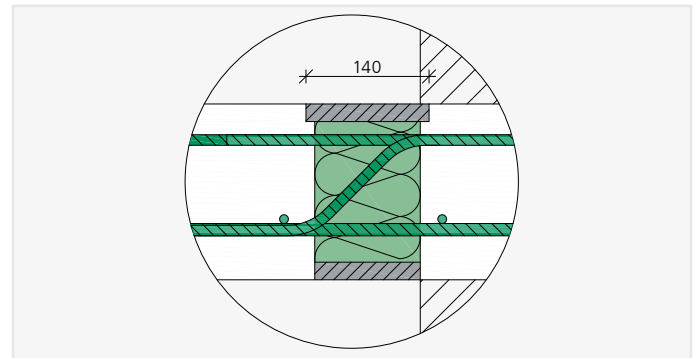
The prerequisite for classification into R 90/REI 120 is that the adjoining components meet the requirements of the respective fire resistance class. If a physical barrier (E) and heat shielding (I) are also required in the event of fire, then it must be ensured that ISOMAXX® Z-ISO FP1 in EI 120 is used as the intermediate insulation where ISOMAXX® units are used at specific points.



ISOPRO® element with concrete compression bearings in REI 120 version with fireproof panels overhanging at top, flush at bottom



ISOPRO® unit with steel pressure rods in R 90 version with fireproof panels overhanging at top, flush at bottom



FIRE RESISTANCE CLASSES OF ISOMAXX® UNITS

ISOMAXX® units achieve the following fire resistance classes:

ISOMAXX®	IM, IM two-part, IM corner, IM Var., IMQ, IMZQ, IMQS, IMQZ, IMH, IME, IMO	IMT corner, IMTQS, IMTQQ, IMTQQS, IMTD, IMTA, IMTF, IMTS, IMTW	IM Z-ISO FP1
Fire resistance class	REI 120	R 90	EI 120

FIRE PROTECTION

FIRE PROTECTION REGULATIONS FOR BALCONIES

According to DIN EN 13501-2:2010-02 (1a), balconies are considered to be load-bearing components without a separating function. The Model Building Regulation Section 31 does not set any specific requirements in terms of fire protection for balconies. As a result, the fire protection requirements must be checked in each individual case.

FIRE PROTECTION REGULATIONS FOR ACCESS BALCONIES

According to DIN EN 13501-2:2010-02 (1a), access balconies are considered to be load-bearing components without a separating function. To the extent that access balconies do not function as a "necessary corridor", the Model Building Regulation Section 31 does not set any specific requirements in terms of fire protection. Necessary corridors must be designed to be fireproof, highly fire resistant or fire resistant, depending on the building class. Whether or not the thermal insulation connection must be designed with a separating function must be checked in each individual case.

REQUIREMENTS OF ACCESS BALCONIES AS NECESSARY CORRIDORS:

Building class according to Model Building Regulation Section 2	Requirements of access balconies as necessary corridors		
	Model Building Regulation Section 31	DIN EN 13501-2	DIN 4102-2
1	Load-bearing and separating	N/A	N/A
2	Load-bearing and separating, fire-resistant	REI 30	F 30-B
3	Load-bearing and separating, fire-resistant	REI 30	F 30-AB (separating)
4	Load-bearing and separating, highly fire-resistant	REI 60	F 60-AB (separating)
5	Load-bearing and separating, fireproof	REI 90	R 90-AB (separating)

NOTE

For fire protection requirements, please note that even a possible insulation layer between individual ISOMAXX® units must also meet the fire protection requirements. This can be implemented with ISOMAXX® Z-ISO FP1 in EI 120.

FIRE BARRIERS*

Fire barriers are required for buildings with a thermal insulation composite system made of EPS insulating materials with a thickness greater than 100 mm if there are more than three floors, in every second floor. This is achieved by the complete horizontal interruption of the insulation. Balconies, loggias and access balconies, which interrupt a ETCIS completely horizontally, can take over the function of a fire barrier, so that can be dispensed with in this area on the additional execution of fire barriers. However, the fire barrier must connect laterally to the cantilever slabs, so that the fire protection interruption of the insulation is continuous. In the situation described ISOMAXX® units in the fire protection versions REI 120 or R 90 must be used.

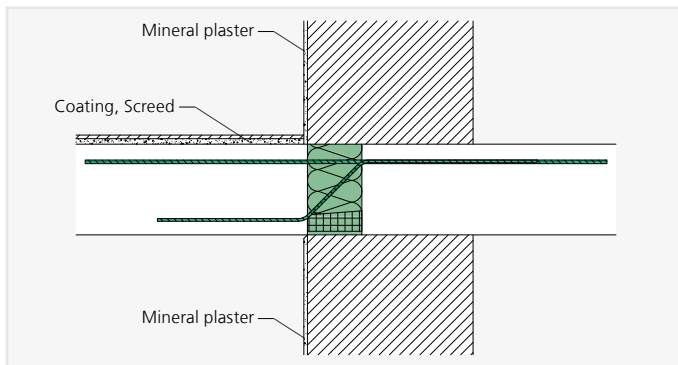
*Source: "Technische Systeminformation WDVS und Brandschutz" Fachverband Wärmedämm-Verbundsysteme, March 2016

FIRE PROTECTION

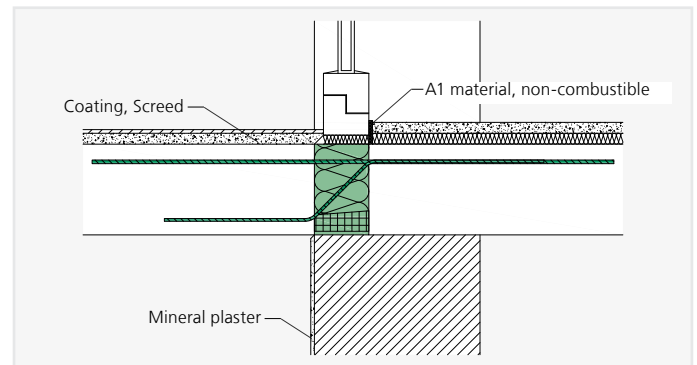
FIRE RESISTANCE CLASS REI 30

All ISOMAXX® standard units can be classified in fire resistance class REI 30 if the following requirements for the overall structure are met:

- The components adjoining the ISOMAXX® unit are clad with mineral protective layers on the surface or
- The components adjoining the ISOMAXX® unit are clad with protective layers made of non-combustible materials on the surface and
- The ISOMAXX® unit is embedded in the overall structure with protection against exposure to direct flames from above and below.



REI 30 formation in wall area

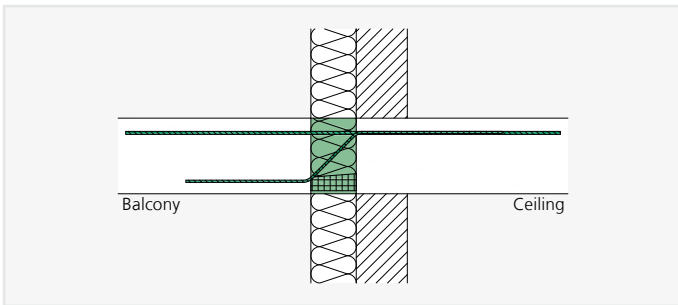


REI 30 formation in door area

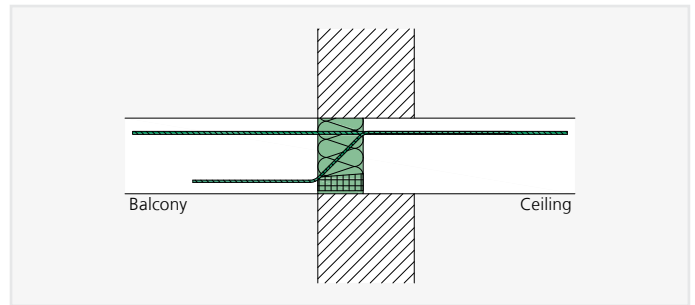
INSTALLATION INSTRUCTIONS

POSITION IN COMPONENT

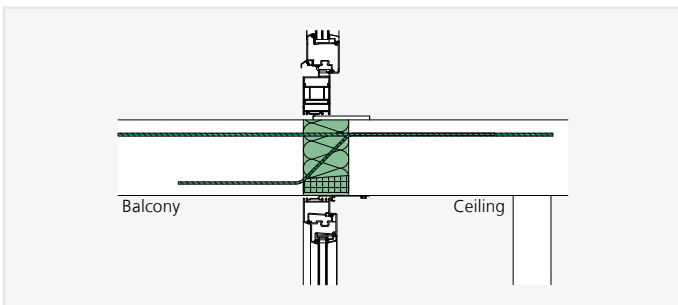
To reliably prevent thermal bridges, the ISOMAXX® units are installed in the insulation plane.



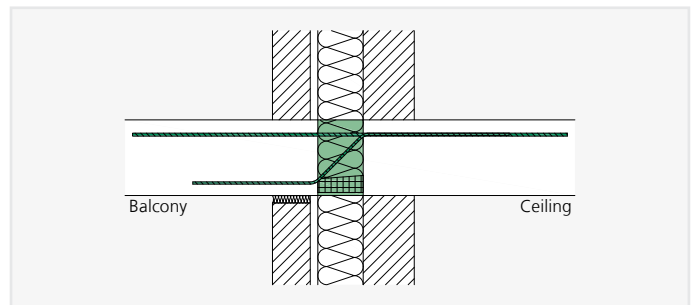
ISOMAXX® IM – Installation cross-section for external thermal insulation composite system



ISOMAXX® IM – Installation cross-section for single-leaf masonry



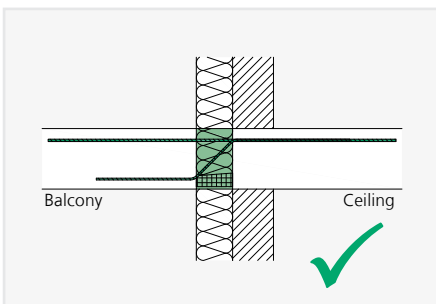
ISOMAXX® IM – Installation cross-section for glass façade



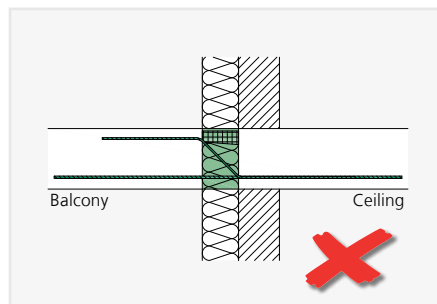
ISOMAXX® IM – Installation cross-section for double leaf masonry

DIRECTION OF INSTALLATION

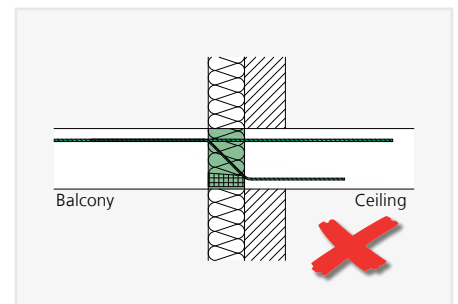
During installation, note the correct direction of installation on the balcony/ceiling as well as at the top/bottom. Ensure that the tension rods are at the top and the compression bearings/pressure rods are at the bottom. Starting at the bottom on the balcony, the shear rod runs diagonally through the ISOMAXX® unit and ends at the top of the ceiling.



ISOMAXX® IM – correct installation



ISOMAXX® IM – Incorrect installation, tension rod must be at the top

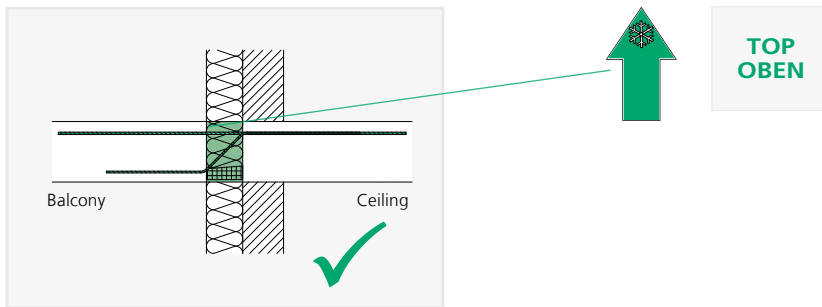


ISOMAXX® IM – Incorrect installation, shear rod must be on the bottom side of the balcony

INSTALLATION – PRESSURE JOINT

DIRECTION OF INSTALLATION

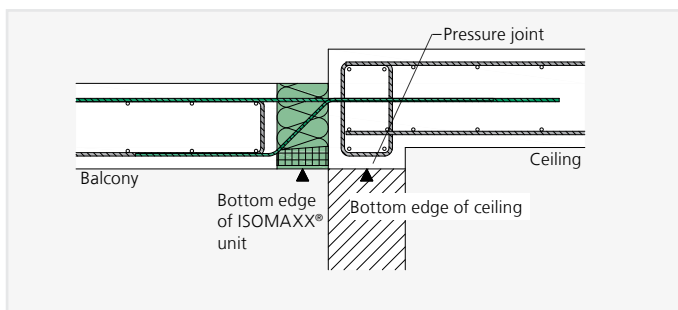
During installation it is crucial to note the direction of installation indicated on the label. The direction of installation is marked clearly on each unit by the indication of the top and an arrow to the balcony side (of the cold area).



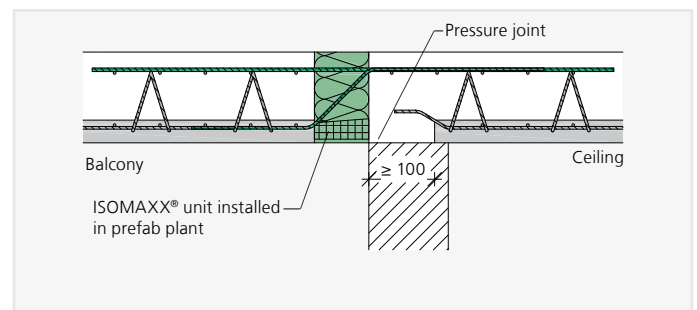
ISOMAXX® IM – correct installation

PRESSURE JOINT

- During installation, care must be taken to ensure that the compression bearing is tightly seated with fresh concrete. For this purpose, a pressure joint of ≥ 100 mm must be provided, the concreting section limits must be selected accordingly.
- Between ISOMAXX® elements and prefabricated parts or element slabs, an in-situ concrete or grouting strip ≥ 100 mm must be provided.



ISOMAXX® units for in-situ concrete construction and height-shifted ceiling slabs



ISOMAXX® units in combination with prefab slabs



ISOMAXX® IM

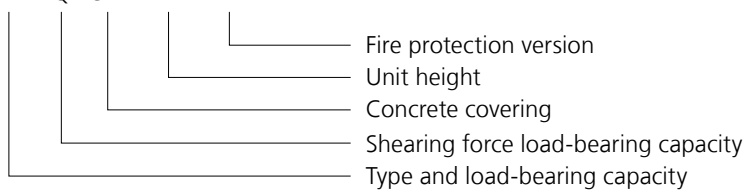
UNITS FOR
CANTILEVERED
BALCONIES

ISOMAXX® IM

- For transferring negative moments as well as positive and, depending on the version (QX), negative shearing forces
- Pressure plane with concrete compression bearings
- Load-bearing capacities IM 15 to IM 100
- Shearing force load-bearing capacities standard, Q8, Q10, Q12, Q8X and Q10X
- Concrete covering of tension rods cv35 or cv50
- Unit heights depending on the shearing force load-bearing capacity starting from $h_{\min} = 160$ mm
- Fire resistance class REI 120 available

TYPE DESIGNATION

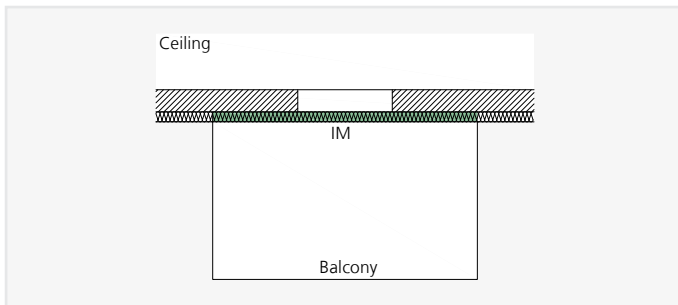
IM 65 Q8 cv35 h200 REI 120



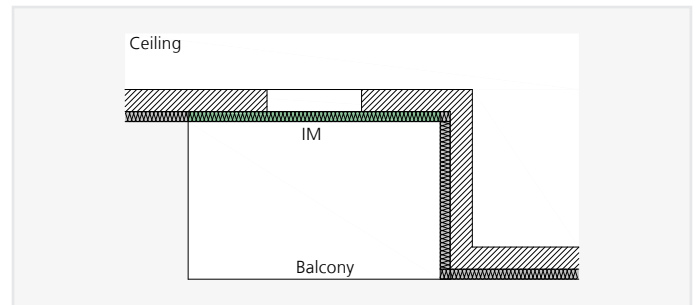
APPLICATION – UNIT ARRANGEMENT



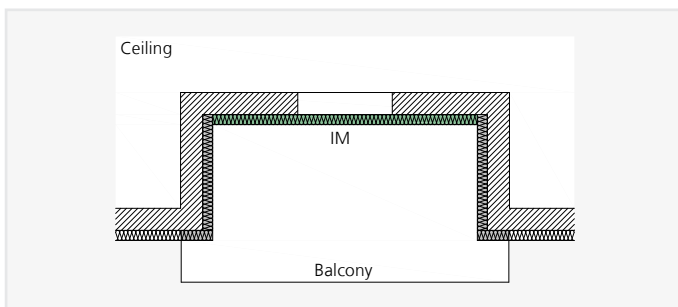
This chapter provides planning aids and specific information about this product. In addition, the general information on materials, design, building physics, installation on site, etc. on pages 10 – 25 has also to be considered.



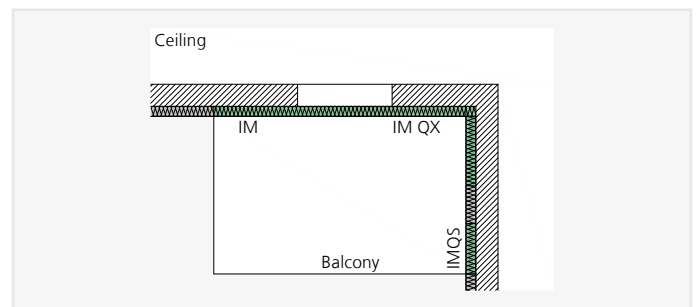
ISOMAXX® IM – Cantilevered balconies



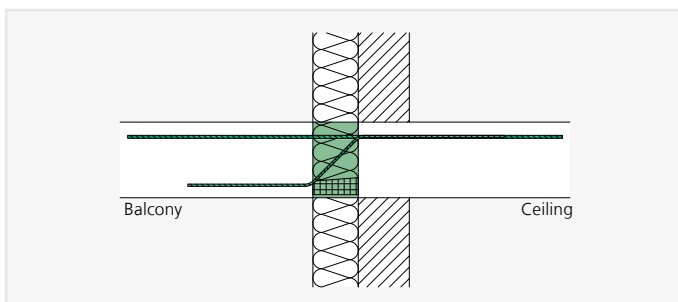
ISOMAXX® IM – Cantilevered balconies in façade extensions



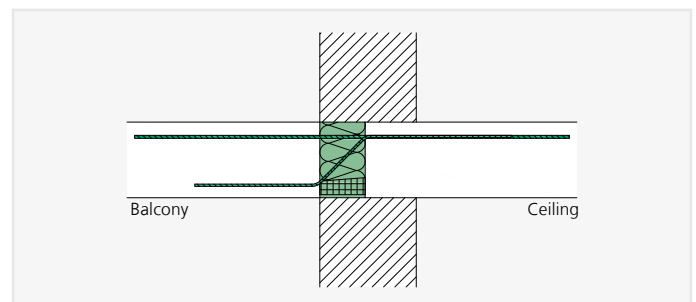
ISOMAXX® IM – Cantilevered balconies in façade recesses



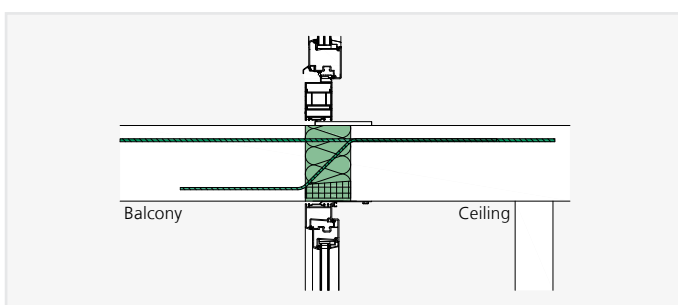
ISOMAXX® IM in combination with IM QX and IM QS for internal corner balconies



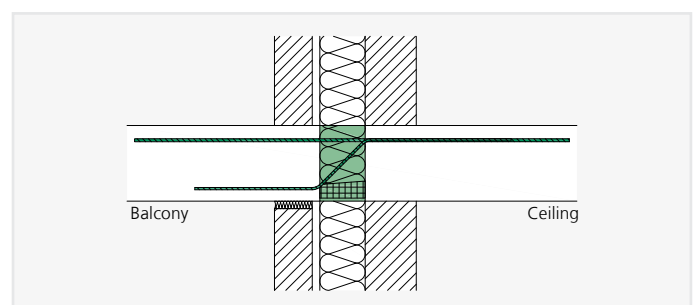
ISOMAXX® IM – Installation cross-section for external thermal insulation composite system



ISOMAXX® IM – Installation cross-section for single-leaf masonry



ISOMAXX® IM – Installation cross-section for glass façades



ISOMAXX® IM – Installation cross-section for double leaf masonry

DESIGN TABLE FOR CONCRETE \geq C25/30

DESIGN VALUES OF ALLOWABLE MOMENTS m_{Rd} [kNm/m]

Unit height [mm] depending on cv [mm]		ISOMAXX®					
		\geq C25/30					
35	50	IM 15	IM 20	IM 25	IM 30	IM 40	IM 45
160	–	9.0	13.2	15.4	21.7	23.8	28.0
–	180	9.5	14.0	16.2	22.9	25.1	29.5
170	–	10.0	14.8	17.1	24.1	26.5	31.1
–	190	10.5	15.5	18.0	25.3	27.8	32.7
180	–	11.1	16.3	18.9	26.6	29.2	34.3
–	200	11.6	17.1	19.8	27.8	30.5	35.9
190	–	12.2	17.9	20.7	29.1	31.9	37.5
–	210	12.7	18.6	21.6	30.3	33.3	39.1
200	–	13.3	19.4	22.5	31.6	34.7	40.7
–	220	13.8	20.2	23.4	32.9	36.0	42.3
210	–	14.4	21.0	24.3	34.2	37.5	44.0
–	230	14.9	21.8	25.2	35.4	38.8	45.6
220	–	15.5	22.6	26.2	36.8	40.3	47.3
–	240	16.0	23.4	27.1	38.0	41.7	48.9
230	–	16.6	24.3	28.1	39.4	43.1	50.6
–	250	17.2	25.1	29.0	40.6	44.5	52.2
240	–	17.8	25.9	30.0	42.0	46.0	53.9
250	–	18.9	27.6	31.9	44.7	48.9	57.3

DESIGN VALUES OF ALLOWABLE SHEARING FORCES v_{Rd} [kN/m]

Capacity	h_{min} [mm]	IM 15	IM 20	IM 25	IM 30	IM 40	IM 45
Standard	160	34.8		43.5			
Q8	160	92.7					
Q10	170	144.9					
Q12	180	208.6					
Q8X	160	+61.8/-61.8					
Q10X	160	+108.2/-61.8					

DIMENSIONS AND ASSIGNMENT

ISOMAXX®	IM 15	IM 20	IM 25	IM 30	IM 40	IM 45
Unit length [mm]	1000					
Tension rods	4 Ø 8	6 Ø 8	7 Ø 8	10 Ø 8	11 Ø 8	13 Ø 8
Tension rods QX	5 Ø 8	7 Ø 8	8 Ø 8	12 Ø 8	13 Ø 8	15 Ø 8
Compression bearings	4			5		
Shear rods standard	4 Ø 6		5 Ø 6			
Shear rods Q8	6 Ø 8					
Shear rods Q10	6 Ø 10					
Shear rods Q12	6 Ø 12					
Shear rods Q8X	4 Ø 8 + 4 Ø 8					
Shear rods Q10X	7 Ø 8 + 4 Ø 8					

DESIGN TABLE FOR CONCRETE \geq C25/30

DESIGN VALUES OF ALLOWABLE MOMENTS m_{Rd} [kNm/m]

Unit height [mm] depending on c_v [mm]		ISOMAXX®					
		\geq C25/30					\geq C30/37
		IM 50	IM 55	IM 65	IM 75	IM 90	IM 100
35	50						
160	–	30.1	36.3	39.5	–	–	–
–	180	31.7	38.3	41.7	–	–	–
170	–	33.4	40.4	44.0	47.6	51.1	57.1
–	190	35.1	42.4	46.2	49.9	53.6	60.0
180	–	36.8	44.6	48.5	52.4	56.1	63.0
–	200	38.5	46.6	50.7	54.8	58.6	65.9
190	–	40.3	48.7	53.0	57.3	61.2	68.9
–	210	42.0	50.8	55.3	59.7	63.7	71.8
200	–	43.7	52.9	57.6	62.2	66.2	74.7
–	220	45.5	55.0	59.8	64.7	68.8	77.6
210	–	47.2	57.2	62.2	67.2	71.3	80.4
–	230	49.0	59.2	64.4	69.6	73.8	83.3
220	–	50.8	61.4	66.8	72.2	76.3	86.1
–	240	52.5	63.5	69.1	74.6	78.9	89.0
230	–	54.3	65.7	71.5	77.2	81.4	91.8
–	250	56.1	67.8	73.8	79.7	83.9	94.7
240	–	57.9	70.1	76.1	82.3	86.5	97.5
250	–	61.5	74.4	80.5	87.4	91.5	103.2

DESIGN VALUES OF ALLOWABLE SHEARING FORCES v_{Rd} [kN/m]

Capacity	h_{min} [mm]	IM 50	IM 55	IM 65	IM 75	IM 90	IM 100
Standard	160		43.5			–	
Q8	160		92.7			–	
Q10	170		144.9			144.9	
Q12	180		208.6			208.6	
Q8X	160		+61.8/-61.8			–	
Q10X	160		+108.2/-61.8			+108.2/-61.8	

DIMENSIONS AND ASSIGNMENT

ISOMAXX®	IM 50	IM 55	IM 65	IM 75	IM 90	IM 100
Unit length [mm]		1000			500 + 500 (QX units: 1000 mm)	
Tension rods	14 \emptyset 8	11 \emptyset 10	12 \emptyset 10	13 \emptyset 10	10 \emptyset 12	12 \emptyset 12
Tension rods QX	16 \emptyset 8	12 \emptyset 10	13 \emptyset 10	14 \emptyset 10	11 \emptyset 12	12 \emptyset 12
Compression bearings	6	7			8	
Shear rods standard		5 \emptyset 6			–	
Shear rods Q8		6 \emptyset 8			–	
Shear rods Q10		6 \emptyset 10			6 \emptyset 10	
Shear rods Q12		6 \emptyset 12			6 \emptyset 12	
Shear rods Q8X		4 \emptyset 8 + 4 \emptyset 8			–	
Shear rods Q10X		7 \emptyset 8 + 4 \emptyset 8			7 \emptyset 8 + 4 \emptyset 8	

DEFLECTION AND CAMBER

DEFLECTION

During their construction, cantilevered reinforced concrete structures are elevated to take into account the anticipated deflection. If these structures are thermally separated with ISOMAXX® units, when calculating the pre-set, the deflection due to the ISOMAXX® unit itself is superimposed with the deflection due to flexion of the slab in accordance with DIN EN 1992-1-1/NA. It must be ensured that the required pre-set is rounded up or down, according to the planned drainage direction. If a drainage system is installed at the building façade, the value must be rounded up, but for drainage at the end of the cantilever arm, it must be rounded down. We recommend providing proof of suitability for use in the serviceability limit state for the quasi-continuous load combination ($\gamma_G = 1.0$, $\gamma_Q = 1.0$, $\psi_2 = 0.3$). The tables below show the deflection factors $\tan \alpha$ for calculating the deflection due to ISOMAXX®.

DEFLECTION DUE TO THE ISOMAXX® CANTILEVER SLAB CONNECTION

$$w = \tan \alpha \cdot (m_{Ed}/m_{Rd}) \cdot l_k \cdot 10$$

With

w = Deflection at the end of the cantilever arm [mm]

$\tan \alpha$ = Deflection factor, see product section

m_{Ed} = Bending moment for determining the camber as a result of the ISOMAXX® unit. The definitive load combination for the serviceability limit state is determined by the structural engineer

m_{Rd} = Resistance moment of the ISOMAXX® unit, see product section

l_k = System length [m]

DEFLECTION FACTOR $\tan \alpha$ FOR CONCRETE \geq C 25/30

ISOMAXX®	Concrete covering c_v [mm]	Height h [mm]									
		160	170	180	190	200	210	220	230	240	250
IM 15 to IM 50	35	0.75	0.68	0.62	0.58	0.53	0.50	0.47	0.44	0.42	0.40
	50	–	–	0.71	0.65	0.60	0.55	0.52	0.48	0.46	0.43
IM 55 to IM 90	35	0.87	0.79	0.72	0.66	0.62	0.57	0.54	0.51	0.48	0.45
	50	–	–	0.83	0.75	0.69	0.64	0.59	0.55	0.52	0.49

DEFLECTION FACTOR $\tan \alpha$ FOR CONCRETE \geq C 30/37

ISOMAXX®	Concrete covering c_v [mm]	Height h [mm]									
		160	170	180	190	200	210	220	230	240	250
IM 100	35	–	0.87	0.80	0.73	0.68	0.63	0.59	0.55	0.52	0.49
	50	–	–	0.92	0.83	0.76	0.71	0.65	0.61	0.57	0.54

BENDING SLENDERNESS – DISTANCE BETWEEN EXPANSION JOINTS

BENDING SLENDERNESS

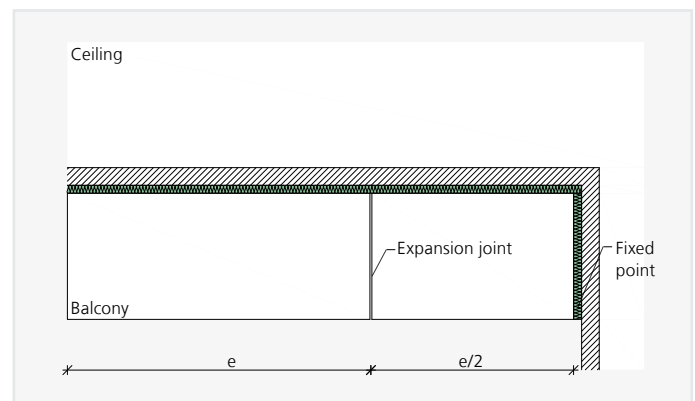
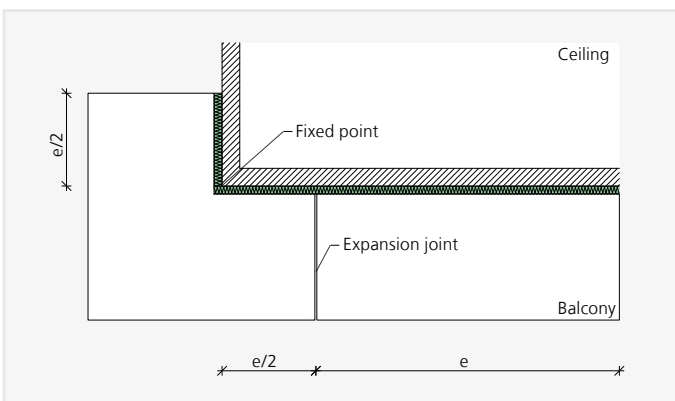
The bending slenderness is defined as the ratio of the static height d of the balcony slab to the cantilever length l_k . The bending slenderness of a slab has an impact on its vibration characteristics. We therefore recommend limiting the bending slenderness for cantilevered reinforced concrete structures in accordance with DIN EN 1992-1-1 to a maximum value of $l_k/d = 14$. This results in the following maximum recommended cantilever lengths l_k :

Concrete covering [mm]	max. l_k [m] depending on unit height h [mm]									
	160	170	180	190	200	210	220	230	240	250
cv35	1.68	1.82	1.96	2.10	2.24	2.38	2.52	2.66	2.80	2.94
cv50	1.47	1.61	1.75	1.89	2.03	2.17	2.31	2.45	2.59	2.73

DISTANCE BETWEEN EXPANSION JOINTS

If the component dimensions exceed the maximum permissible distance between expansion joints, expansion joints must be arranged perpendicular to the insulation plane. The maximum permissible distance between expansion joints e is dependent on the maximum rod diameter guided across the expansion joint and is thus type-dependent.

The use of fixed points such as corner supports or the use of ISOMAXX® IMH or IME units results in increased constraints, which means the maximum permissible distance between expansion joints must be reduced to $e/2$. Half of the maximum distance between expansion joints is always measured from the fixed point.



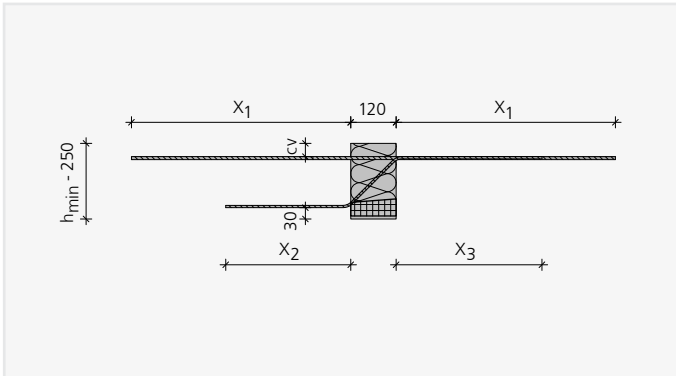
Expansion joint layout for different balcony systems

MAXIMUM PERMISSIBLE DISTANCE BETWEEN EXPANSION JOINTS

ISOMAXX®	IM 15 to IM 75		IM 90 to IM 100
Shear force load-bearing capacity	Standard to Q10, Q8X, Q10X	Q12	Q10 to Q12, Q10X
Distance between joints e [m]	21.7	19.8	19.8

UNIT STRUCTURE

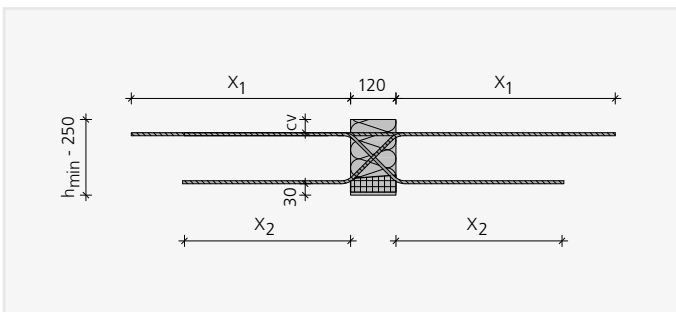
ISOMAXX® IM 15 TO IM 100 – POSITIVE SHEAR FORCES



Length tension rod [mm]	IM 15 to IM 50	IM 55 to IM 75	IM 90 to IM 100
X ₁	580	720	840

Length shear rod [mm]	Shear force load-bearing capacity			
	Standard	Q8	Q10	Q12
X ₂	335	450	560	670
X ₃	≤ 435	≤ 490	≤ 600	≤ 705
h _{min}	160	160	170	180

ISOMAXX® IM 15 TO IM 100 – POSITIVE AND NEGATIVE SHEAR FORCES



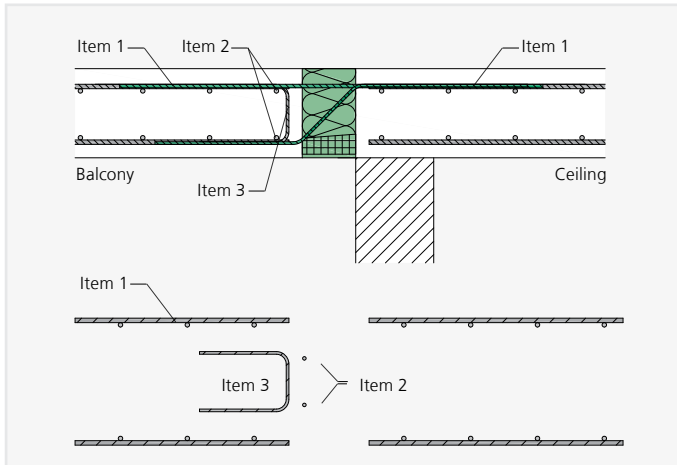
Length tension rod [mm]	IM 15 to IM 50	IM 55 to IM 75	IM 90 to IM 100
X ₁	580	720	840

Length shear rod [mm]	Shear force load-bearing capacity	
	Q8X and Q10X	
X ₂	≤ 450	
h _{min}	160	

SUPPLEMENTARY REINFORCEMENT

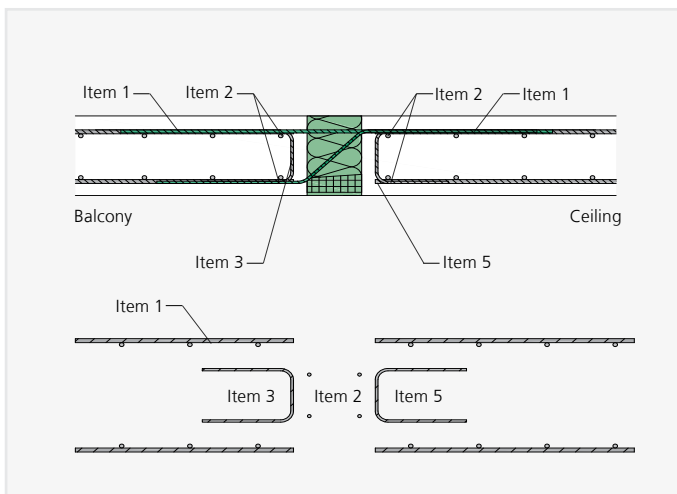
ISOMAXX® IM 15 TO IM 100

DIRECT SUPPORT



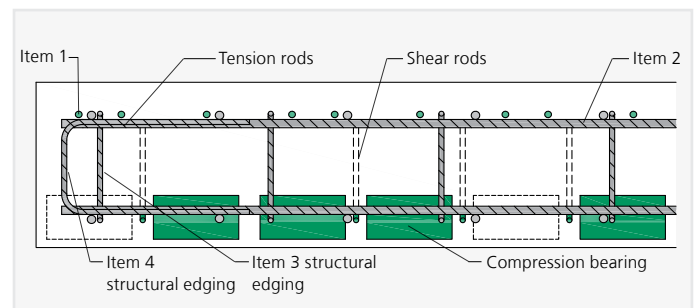
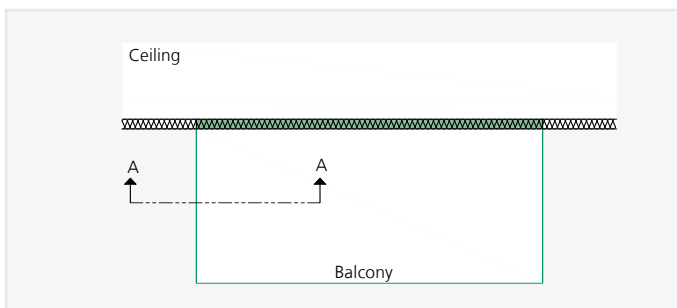
- Item 1 connection reinforcement for the ISOMAXX® unit – p. 34
- Item 2 spacing bar 2 Ø 8 balcony side
- Item 3 structural edging parallel to the ISOMAXX® IM unit in accordance with DIN EN 1992-1-1 min. Ø 6/250 respectively in accordance with the structural engineer's specifications
- Item 4 structural edging at the free balcony edge in accordance with DIN EN 1992-1-1 min. Ø 6/250 respectively in accordance with the structural engineer's specifications (not shown here)

INDIRECT SUPPORT



- Item 1 connection reinforcement for the ISOMAXX® IM unit – p. 34
- Item 2 spacing bar 2 x 2 Ø 8 balcony and ceiling side
- Item 3 structural edging parallel to the ISOMAXX® IM unit in accordance with DIN EN 1992-1-1 min. Ø 6/250 respectively in accordance with the structural engineer's specifications
- Item 4 structural edging at the free balcony edge in accordance with DIN EN 1992-1-1 min. Ø 6/250 respectively in accordance with the structural engineer's specifications (not shown here)
- Item 5 edging or supplementary stirrup – p.34

EDGING STIRRUP AT THE FREE BALCONY EDGE



ISOMAXX® IM – Section A-A

SUPPLEMENTARY REINFORCEMENT

CONNECTION REINFORCEMENT ITEM 1

ISOMAXX® IM 15 TO IM 100

ISOMAXX®	$a_{s,erf}$ [cm ² /m]	Reinforcing steel B500B
IM 15	2.37	5 Ø 8
IM 20	3.47	7 Ø 8
IM 25	4.00	8 Ø 8
IM 30	5.62	12 Ø 8
IM 40	6.14	13 Ø 8
IM 45	7.20	10 Ø 10
IM 50	7.73	10 Ø 10
IM 55	9.40	12 Ø 10
IM 65	10.17	13 Ø 10
IM 75	11.04	14 Ø 10
IM 90	11.62	11 Ø 12
IM 100	13.11	12 Ø 12

EDGING / SUPPLEMENTARY STIRRUPS FOR INDIRECT SUPPORT ITEM 5

ISOMAXX® IM 15 TO IM 100

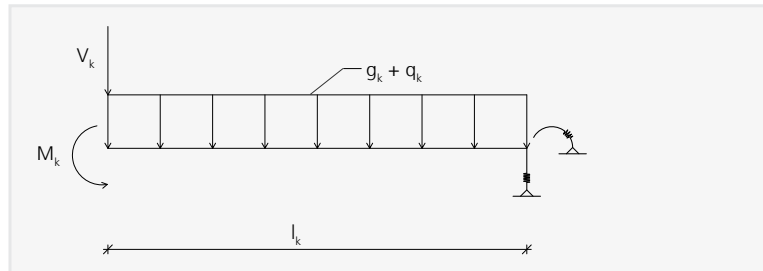
Shear force load-bearing capacity	ISOMAXX®		
	IM 10 to IM 20	IM 25 to IM 65	IM 75 to IM 100
	$a_{s,erf}$ [cm ² /m]	$a_{s,erf}$ [cm ² /m]	$a_{s,erf}$ [cm ² /m]
Standard	1.13	1.00	–
Q8	2.13	2.13	–
Q10	3.33	3.33	3.33
Q12	4.79	4.79	4.79
Q8X	1.42	1.42	–
Q10X	2.22	2.22	2.48

DESIGN EXAMPLE

SELECTION OF ISOMAXX UNIT, DEFLECTION AND CAMBER

SYSTEM:

Cantilever arm
 Length of cantilever $l_k = 2.0$ m
 Slab thickness balcony = 180 mm
 Concrete cover cv35
 Concrete class C25/30 balcony and ceiling



LOAD ASSUMPTIONS:

Dead load $g_k = 4.50$ kN/m²
 Superimposed load $g_k = 1.50$ kN/m²
 Live load $q_k = 4.00$ kN/m²
 Edge load/railing $V_k = 1.50$ kN/m
 Edge moment $M_k = 0.00$ kNm/m

RESULTANT FORCES:

$$m_{Ed} = (g_k \cdot 1.35 + q_k \cdot 1.5) \cdot l_k^2 / 2 + (G_k \cdot 1.35) \cdot l_k$$

$$v_{Ed} = (g_k \cdot 1.35 + q_k \cdot 1.5) \cdot l_k + (G_k \cdot 1.35)$$

$$m_{Ed} = (6.00 \cdot 1.35 + 4.00 \cdot 1.5) \cdot 2.00^2 / 2 + (1.5 \cdot 1.35) \cdot 2.00 = \underline{32.25 \text{ kNm/m}}$$

$$v_{Ed} = (6.00 \cdot 1.35 + 4.00 \cdot 1.5) \cdot 2.00 + (1.5 \cdot 1.35) = \underline{30.23 \text{ kN/m}}$$

DESIGN:

Chosen: IM 50 cv35 $h = 180$ mm $m_{Rd} = 36.80$ kNm/m ≥ 32.25 kNm/m (see page 29)
 $v_{Rd} = 43.50$ kN/m ≥ 30.23 kN/m

DEFLECTION DUE TO THERMAL INSULATION UNIT:

Quasi-permanent load-combination $\Psi_2 = 0.30$, $\gamma_G = 1.00$, $\gamma_Q = 1.00$

$$m_{Ed,perm} = m_{gk} + m_{qk} \cdot \Psi_2$$

$$m_{Ed,perm} = (g_k + q_k \cdot \Psi_2) \cdot l_k^2 / 2 + G_k \cdot l_k$$

$$m_{Ed,perm} = (6.00 + 4.00 \cdot 0.3) \cdot 2.00^2 / 2 + 1.50 \cdot 2.00 = \underline{17.40 \text{ kNm/m}}$$

$$w_1 = \tan \alpha \cdot (m_{Ed,perm} / m_{Rd}) \cdot l_k \cdot 10$$

$$\tan \alpha = 0.79 \text{ (see page 30)}$$

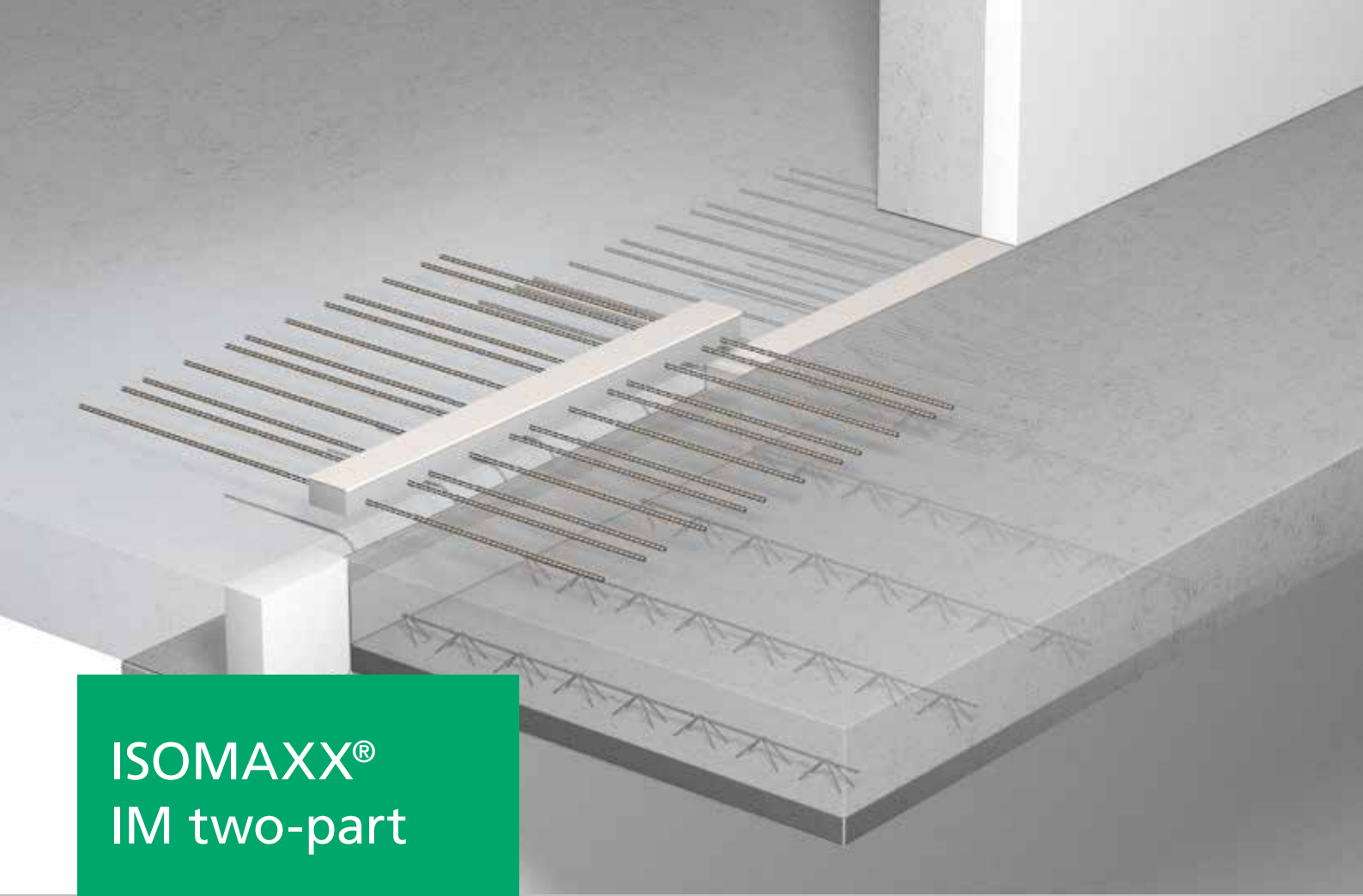
$$w_1 = 0.79 \cdot (17.40 / 36.80) \cdot 2.00 \cdot 10 = \underline{7.47 \text{ mm}} \text{ (~ 7.00 mm)*}$$

*) w_1 = deflection due to thermal insulation unit. Factor w_2 due to slab deflection has to be added to w_1 by the structural designer. w_2 is in general much smaller than the deflection from the thermal insulation units. (Rough rule of thumb: $w_2 \sim 0.25 \cdot w_1$).

CAMBER:

Case 1) Dewatering towards end of cantilever chosen: camber 7.00 mm (**rounded off**)

Case 2) Dewatering toward building chosen: camber 10.00 mm (**rounded up**)



ISOMAXX® IM two-part

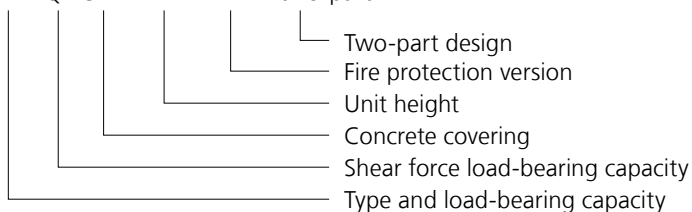
UNITS
FOR CANTILEVERED
BALCONIES

ISOMAXX® IM TWO-PART

- Two-part units for installing the bottom section in prefab slabs in the prefabricated parts factory and fitting the upper section on the construction site
- For transferring negative moments and positive shearing forces
- Pressure plane with concrete compression bearings
- Load-bearing capacities IM 15 two-part to IM 100 two-part
- Shearing force load-bearing capacities standard, Q8, Q10 and Q12
- Concrete covering of tension rods cv35 or cv50
- Unit heights depending on the shearing force load-bearing capacity starting from $h_{min} = 160$ mm
- Fire resistance class REI 120 available

TYPE DESIGNATION

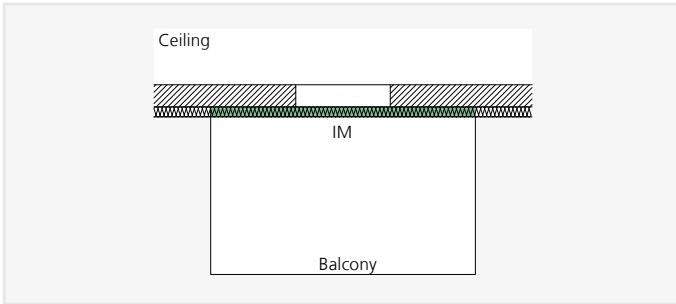
IM 65 Q8 cv35 h200 REI 120 two-part



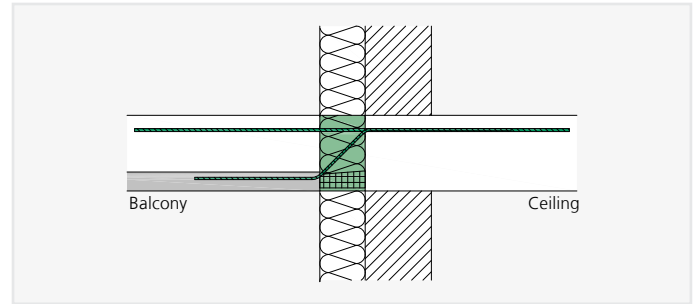
APPLICATION – UNIT ARRANGEMENT



This chapter provides planning aids and specific information about this product. In addition, the general information on materials, design, building physics, installation on site, etc. on pages 10 – 25 has also to be considered.

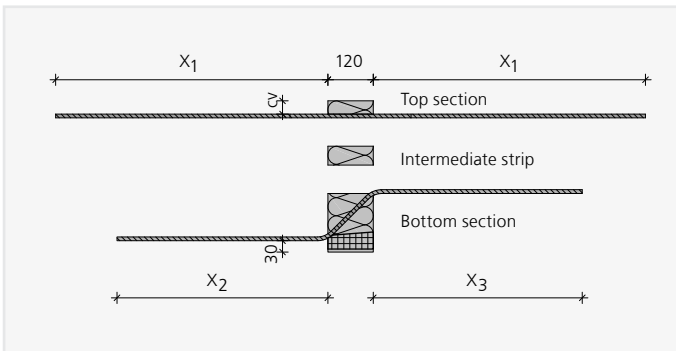


ISOMAXX® IM two-part – Cantilevered balconies



ISOMAXX® IM two-part – Installation cross-section thermal insulation composite system

UNIT STRUCTURE ISOMAXX® IM 15 TWO-PART TO IM 100 TWO-PART



Length tension rod [mm]	IM 15 to IM 50	IM 55 to IM 75	IM 90 to IM 100
X ₁	580	720	840

Length shear rod [mm]	Shear force load-bearing capacity			
	Standard	Q8	Q10	Q12
X ₂	335	450	560	670
X ₃	≤ 435	≤ 490	≤ 600	≤ 705
h _{min}	160	160	170	180

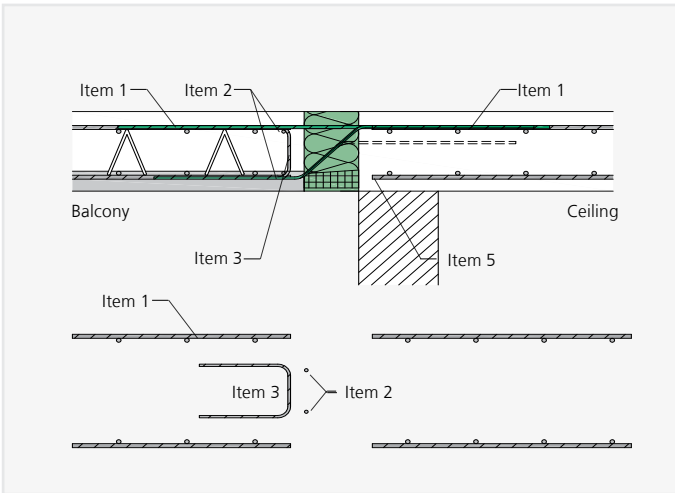
DESIGN AND UNIT STRUCTURE OF THE TWO-PART UNITS

- Design, unit structure and assignment of the units is identical to the corresponding one-part units – S. 28 – 29
- Design of the insulating body comprising a bottom section and a top section.
- Prefabricated parts factories have the option of ordering units in most current heights and doubling them as needed to create additional heights by adding intermediate strips. The shear rod is designed for the basic height and is not raised into the tension plane of the unit.
- Camber, bending slenderness and maximum permissible distance between expansion joints – S. 30 – 31

SUPPLEMENTARY REINFORCEMENT

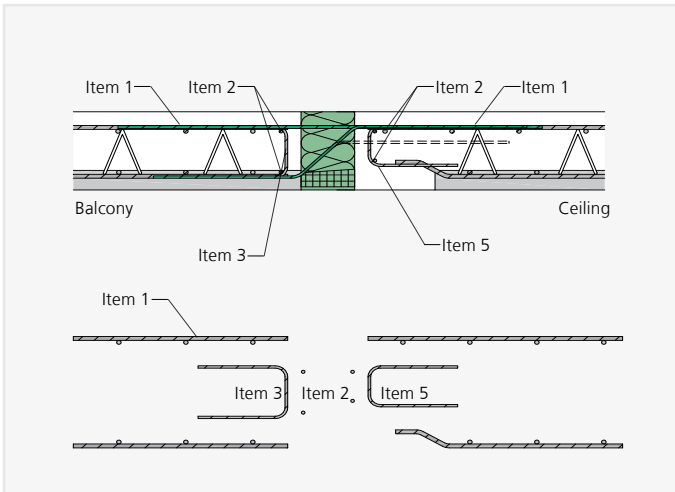
ISOMAXX® IM 15 TWO-PART TO IM 100 TWO-PART

DIRECT SUPPORT



- Item 1 connection reinforcement for the ISOMAXX® unit – S. 39
- Item 2 spacing bar 2 Ø 8 balcony side
- Item 3 structural edging parallel to the ISOMAXX® IM unit in accordance with DIN EN 1992-1-1 min. Ø 6/250 respectively in accordance with the structural engineer's specifications
- Item 4 structural edging at the free balcony edge in accordance with DIN EN 1992-1-1 min. Ø 6/250 respectively in accordance with the structural engineer's specifications (not shown here)

INDIRECT SUPPORT



- Item 1 connection reinforcement for the ISOMAXX® unit – S. 39
- Item 2 spacing bar 2 x 2 Ø 8 balcony and ceiling side
- Item 3 structural edging parallel to the ISOMAXX® IM unit in accordance with DIN EN 1992-1-1 min. Ø 6/250 respectively in accordance with the structural engineer's specifications
- Item 4 structural edging at the free balcony edge in accordance with DIN EN 1992-1-1 min. Ø 6/250 respectively in accordance with the structural engineer's specifications (not shown here)
- Item 5 edging or supplementary stirrup – S. 39

SUPPLEMENTARY REINFORCEMENT

ISOMAXX® IM 15 TWO-PART TO IM 100 TWO-PART

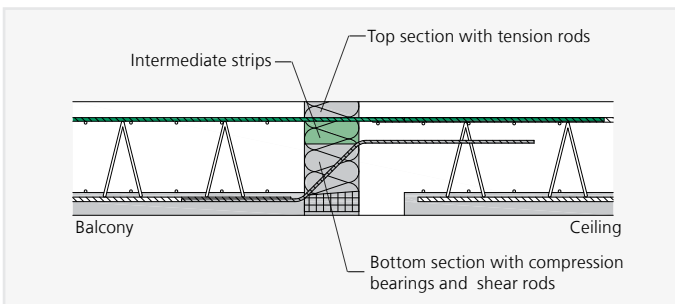
CONNECTION REINFORCEMENT ITEM 1

ISOMAXX®	$a_{s,erf}$ [cm ² /m]	Suggestion Reinf. steel B500B
IM 15	2.37	5 Ø 8
IM 20	3.47	7 Ø 8
IM 25	4.00	8 Ø 8
IM 30	5.62	12 Ø 8
IM 40	6.14	13 Ø 8
IM 45	7.20	10 Ø 10
IM 50	7.73	10 Ø 10
IM 55	9.40	12 Ø 10
IM 65	10.17	13 Ø 10
IM 75	11.04	14 Ø 10
IM 90	11.62	11 Ø 12
IM 100	13.11	12 Ø 12

EDGE / SUPPLEMENTARY REINFORCEMENT ITEM 5

Shear force load-bearing capacity	ISOMAXX®		
	IM 15 to IM 20	IM 25 to IM 65	IM 75 to IM 100
	$a_{s,erf}$ [cm ² /m]	$a_{s,erf}$ [cm ² /m]	$a_{s,erf}$ [cm ² /m]
Standard	0.80	1.00	–
Q8	2.13	2.13	–
Q10	3.33	3.33	3.33
Q12	4.79	4.79	4.79

INSTALLATION TOP SECTION



- The two-part ISOMAXX® unit consists of a top section and a bottom section. The bottom section is concreted into the prefab slab in the prefabricated parts factory.
- The top section is installed on the construction site.
- The top section and bottom section are labelled to be combined correctly. Please make sure you use the right combination on the construction site.
- When fitting the top section, ensure the correct direction of installation is observed.
- Without the top section, the load-bearing capacity of the connection is not guaranteed.



ISOMAXX® IM Variants

UNITS FOR CANTILEVERED BALCONIES

ISOMAXX® IM VAR.

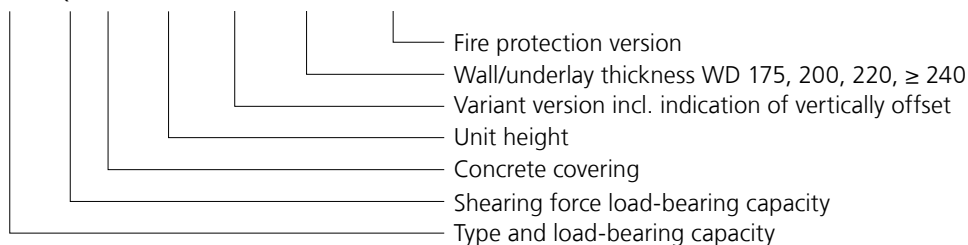
- For transferring negative moments and positive shearing forces
- Pressure plane with concrete compression bearings
- Load-bearing capacities IM 20 Var. to IM 75 Var.
- Shearing force load-bearing capacities standard and Q8
- Concrete covering of tension rods cv35 or cv50
- Unit heights depending on the shearing force load-bearing capacity starting from $h_{\min} = 160$ mm
- Wall thickness WD 175, 200, 220 und ≥ 240
- Fire resistance class REI 120 available

CONNECTION GEOMETRY

- Var. I – Connection to a wall, downwards
- Var. II – Connection to a wall, upwards
- Var. III HV – Connection to a ceiling vertically offset upwards
- Var. III UV – Connection to a ceiling vertically offset downwards

TYPE DESIGNATION

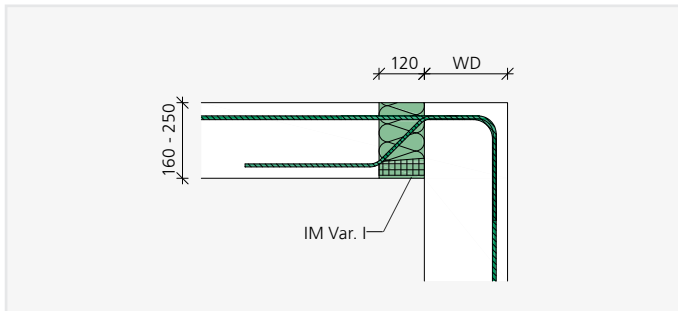
IM 65 Q8 cv35 h200 Var. I WD 220 REI 120



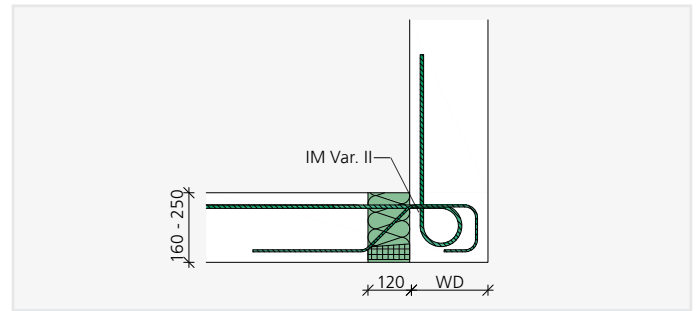
APPLICATION

CONNECTION TO A WALL

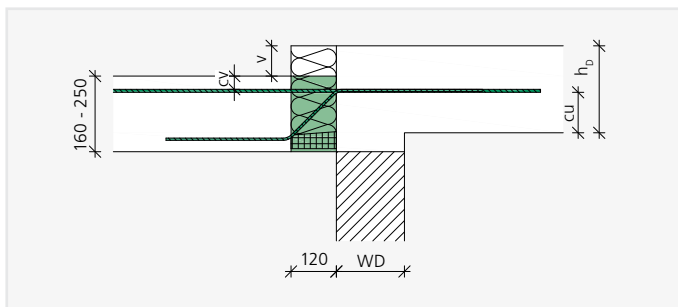
WALL CONNECTION DOWNWARDS – IM VAR. I



WALL CONNECTION UPWARDS – IM VAR. II



CONNECTION TO A SLIGHTLY OFFSET CEILING WITH A STANDARD ISOMAXX® UNIT



$$v \leq h_b - cv - d_s - cu$$

With

v – Height offset

h_b – Ceiling thickness

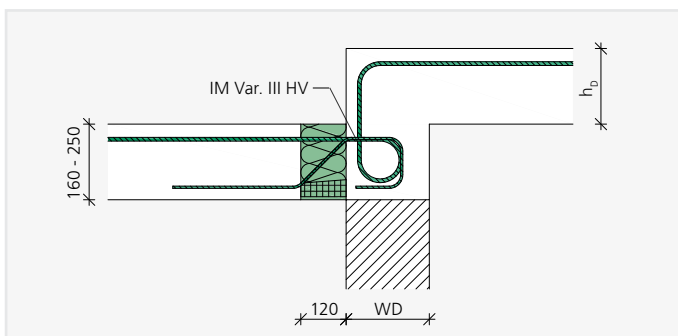
cv – Concrete covering of the tension rods of the ISOMAXX® unit

d_s – Diameter of the tension rods of the ISOMAXX® unit

cu – Concrete covering of the tension rods of the ISOMAXX® unit at the bottom edge of ceiling

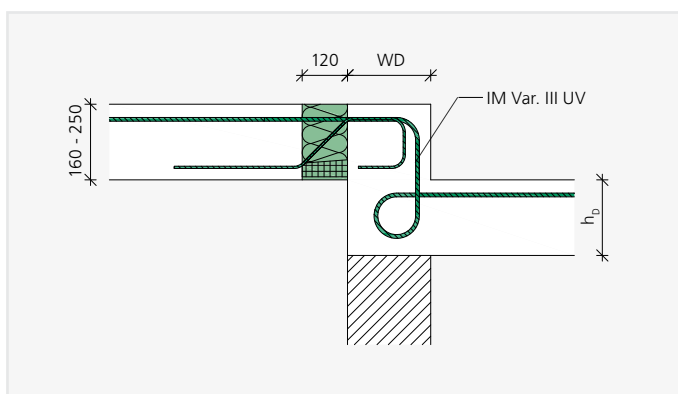
CONNECTIONS TO CEILINGS WITH AN OFFSET OF 90 TO 240 MM

HIGHER CEILINGS – IM VAR. III HV



Var. III HV	Height offset [mm]
HV 100	90 – 149
HV 150	150 – 199
HV 200	200 – 240

LOWER CEILINGS – IM VAR. III UV



Var. III UV	Height offset [mm]	Var. III UV	Height offset [mm]
UV 80	≤ 80	UV 150	141 to ≤ 150
UV 90	81 to ≤ 90	UV 160	151 to ≤ 160
UV 100	91 to ≤ 100	UV 170	161 to ≤ 170
UV 110	101 to ≤ 110	UV 180	171 to ≤ 180
UV 120	111 to ≤ 120	UV 190	181 to ≤ 190
UV 130	121 to ≤ 130	UV 200	191 to ≤ 200
UV 140	131 to ≤ 140		

DESIGN TABLE FOR CONCRETE \geq C25/30

DESIGN VALUES OF ALLOWABLE MOMENTS m_{Rd} [kNm/m]

Unit height [mm] depending on c_v [mm]		ISOMAXX®			
35	50	IM 20 Var.	IM 25 Var.	IM 30 Var.	IM 45 Var.
160	–	15.4	21.7	23.4	26.6
–	180	16.2	22.9	24.7	28.1
170	–	17.1	24.1	26.1	29.7
–	190	18.0	25.3	27.4	31.2
180	–	18.9	26.6	28.8	32.7
–	200	19.8	27.8	30.1	34.2
190	–	20.7	29.1	31.5	35.8
–	210	21.6	30.3	32.8	37.3
200	–	22.5	31.6	34.2	38.9
–	220	23.4	32.9	35.6	40.4
210	–	24.3	34.2	37.0	42.1
–	230	25.2	35.4	38.4	43.6
220	–	26.2	36.8	39.8	45.2
–	240	27.1	38.0	41.2	46.8
230	–	28.1	39.4	42.6	48.4
–	250	29.0	40.6	44.0	50.5
240	–	30.0	42.0	45.5	51.6
250	–	31.9	44.7	48.3	54.9

DESIGN VALUES OF ALLOWABLE SHEARING FORCES v_{Rd} [kN/m]

Shearing force	h_{min} [mm]	IM 20 Var.	IM 25 Var.	IM 30 Var.	IM 45 Var.
Standard	160			52.2	
Q8	160			92.7	

DIMENSIONS AND ASSIGNMENT

ISOMAXX®	IM 20 Var.	IM 25 Var.	IM 30 Var.	IM 45 Var.
Unit length [mm]	1.000			
Tension rods	7 Ø 8	10 Ø 8	7 Ø 10	8 Ø 10
Compression bearings	4	4	5	5
Shear rods Standard	6 Ø 6			
Shear rods Q8	6 Ø 8			

DESIGN TABLE FOR CONCRETE \geq C25/30

DESIGN VALUES OF ALLOWABLE MOMENTS m_{Rd} [kNm/m]

Unit height [mm] depending on c_v [mm]		ISOMAXX®			
		IM 50 Var.	IM 55 Var.	IM 65 Var.	IM 75 Var.
35	50				
160	–	29.8	33.1	39.5	42.7
–	180	31.5	34.9	41.7	45.1
170	–	33.2	36.8	44.0	47.6
–	190	34.9	38.7	46.2	49.9
180	–	36.7	40.6	48.5	52.4
–	200	38.4	42.5	50.7	54.8
190	–	40.1	44.4	53.0	57.3
–	210	41.8	46.3	55.3	59.7
200	–	43.6	48.3	57.6	62.2
–	220	45.3	50.2	59.8	64.7
210	–	47.1	52.1	62.2	67.2
–	230	48.8	54.0	64.4	69.6
220	–	50.6	56.0	66.8	72.2
–	240	52.4	58.0	69.1	74.6
230	–	54.2	60.0	71.5	77.2
–	250	55.9	61.9	73.8	79.7
240	–	57.8	63.9	76.1	82.3
250	–	61.4	67.9	80.5	87.4

DESIGN VALUES OF ALLOWABLE SHEARING FORCES v_{Rd} [kN/m]

Shearing force	h_{min} [mm]	IM 50 Var.	IM 55 Var.	IM 65 Var.	IM 75 Var.
Standard	160			52.2	
Q8	160			92.7	

DIMENSIONS AND ASSIGNMENT

ISOMAXX®	IM 50 Var.	IM 55 Var.	IM 65 Var.	IM 75 Var.
Unit length [mm]	1.000			
Tension rods	9 Ø 10	10 Ø 10	12 Ø 10	13 Ø 10
Compression bearings	6	6	7	8
Shear rods Standard	6 Ø 6			
Shear rods Q8	6 Ø 8			



This chapter provides planning aids and specific information about this product. In addition, the general information on materials, design, building physics, installation on site, etc. on pages 10 – 25 has also to be considered.

DEFLECTION AND CAMBER

DEFLECTION

During their construction, cantilevered reinforced concrete structures are elevated to take into account the anticipated deflection. If these structures are thermally separated with ISOMAXX® units, when calculating the camber, the deflection due to the ISOMAXX® unit itself is superimposed with the deflection due to flexion of the slab in accordance with DIN EN 1992-1-1/NA. It must be ensured that the required camber is rounded up or down, according to the planned drainage direction. If a drainage system is installed at the building façade, the value must be rounded up, but for drainage at the end of the cantilever arm, it must be rounded down. We recommend providing proof of suitability for use in the serviceability limit state for the quasi-continuous load combination ($\gamma_G = 1.0$, $\gamma_Q = 1.0$, $\psi_2 = 0.3$). The tables below show the deflection factors $\tan \alpha$ for calculating the deflection due to ISOMAXX®.

DEFLECTION DUE TO THE ISOMAXX® CANTILEVER SLAB CONNECTION

$$w = \tan \alpha \cdot (m_{Ed}/m_{Rd}) \cdot l_k \cdot 10$$

With

w = Deflection at the end of the cantilever arm [mm]

$\tan \alpha$ = Deflection factor, see product sections

m_{Ed} = Bending moment for determining the camber as a result of the ISOMAXX® unit. The definitive load combination for the serviceability limit state is determined by the structural engineer

m_{Rd} = Resistance moment of the ISOMAXX® unit, see product section

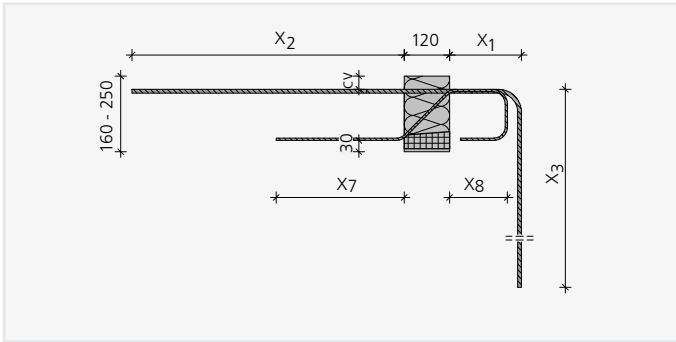
l_k = System length [m]

DEFLECTION FACTOR $\tan \alpha$ FOR CONCRETE \geq C 25/30

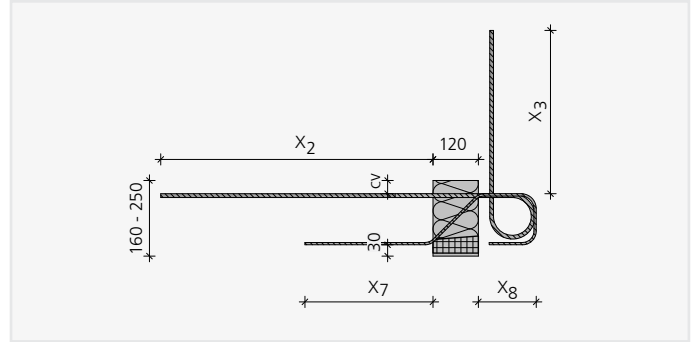
ISOMAXX®	Concrete covering c_v [mm]	Height h [mm]									
		160	170	180	190	200	210	220	230	240	250
IM 20 Var. to IM 25 Var.	35	0.75	0.68	0.62	0.58	0.54	0.50	0.47	0.45	0.42	0.40
	50	–	–	0.71	0.65	0.60	0.56	0.52	0.49	0.46	0.43
IM 30 Var. to IM 75 Var.	35	0.85	0.77	0.71	0.65	0.61	0.56	0.53	0.50	0.47	0.45
	50	–	–	0.81	0.74	0.68	0.63	0.58	0.55	0.51	0.48

UNIT STRUCTURE

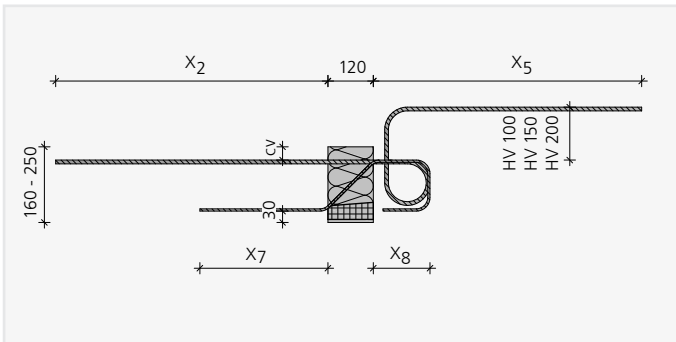
IM VAR. I



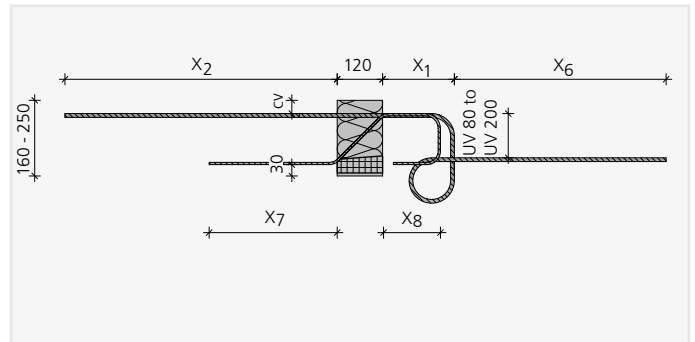
IM VAR. II



IM VAR. III HV



IM VAR. III UV



TENSION ROD DIMENSIONS [MM]

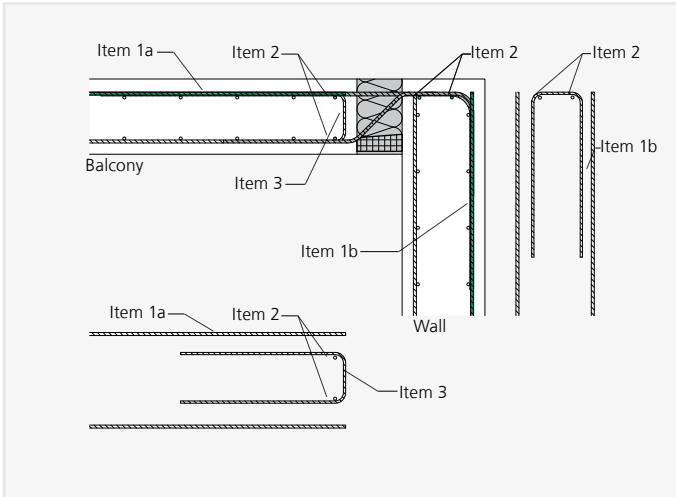
ISOMAXX®	IM 20 + IM 25				IM 30 to IM 75			
	175	200	220	≥ 240	175	200	220	≥ 240
WD	175	200	220	≥ 240	175	200	220	≥ 240
X ₁	155	170	190	210	-	170	190	210
X ₂	580				720			
X ₃	589				794			
X ₄	482				616			
X ₅	≤744				≤854			
X ₆	≤584				≤705			

SHEAR ROD DIMENSIONS [MM]

Shear force load-bearing capacity	Standard		Q8	
	175	≥ 200	175	≥ 200
WD	175	≥ 200	175	≥ 200
X ₇	344		383	
X ₈	150		170	

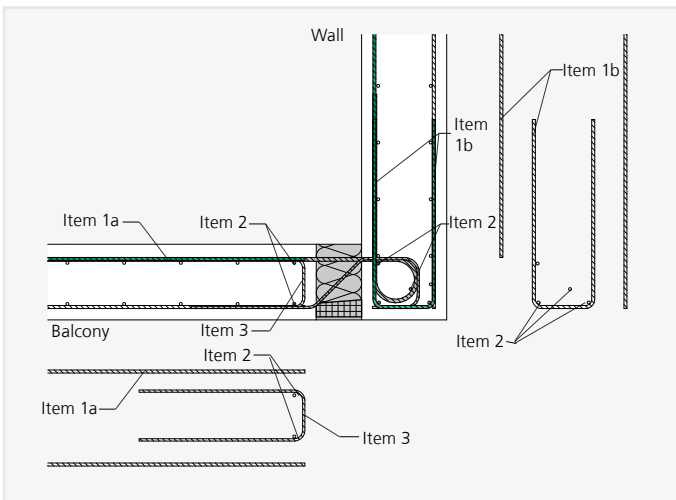
SUPPLEMENTARY REINFORCEMENT

CONNECTION TO A WALL, DOWNWARDS – IP VAR. I



- Item 1a connection reinforcement on the balcony for the ISOMAXX® unit – see table
- Item 1b connection reinforcement for the ISOMAXX® unit to bear the connection moment in the wall in accordance with the structural engineer's specifications
- Item 2 spacing bar 2 Ø 8 on the balcony, 2 Ø 8 in the wall
- Item 3 structural edging parallel to the ISOMAXX® unit in accordance with DIN EN 1992-1-1 min. Ø 6/250 respectively in accordance with the structural engineer's specifications
- Item 4 slab and wall reinforcement and structural edging at the free balcony edge in accordance with DIN EN 1992-1-1 min. Ø 6/250 respectively in accordance with the structural engineer's specifications (not shown here)
- The ISOMAXX® unit ideally is installed before the wall reinforcement is fitted.

CONNECTION TO A WALL, UPWARDS – IP VAR. II



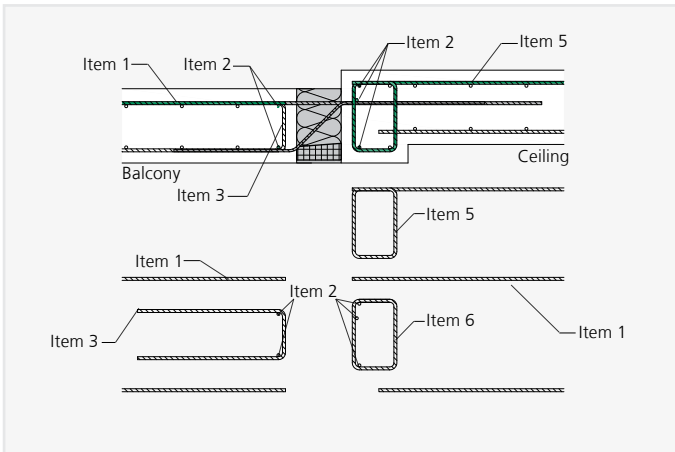
- Item 1a connection reinforcement on the balcony for the ISOMAXX® unit – see table
- Item 1b connection reinforcement for the ISOMAXX® unit to bear connection moment and shear force in the wall in accordance with the structural engineer's specifications
- Item 2 spacing bar 2 Ø 8 on the balcony, 3 Ø 8 in the wall
- Item 3 structural edging parallel to the ISOMAXX® unit in accordance with DIN EN 1992-1-1 min. Ø 6/250 respectively in accordance with the structural engineer's specifications
- Item 4 slab and wall reinforcement and structural edging at the free balcony edge in accordance with DIN EN 1992-1-1 min. Ø 6/250 respectively in accordance with the structural engineer's specifications (not shown here)
- The ISOMAXX® unit ideally is installed before the wall reinforcement is fitted.

CONNECTION REINFORCEMENT ITEM 1

ISOMAXX®	IM 20 Var.	IM 25 Var.	IM 30 Var.	IM 45 Var.	IM 50 Var.	IM 55 Var.	IM 65 Var.	IM 75 Var.
$a_{s,erf}$ [cm ² /m]	3.80	5.36	5.84	6.65	7.46	8.26	9.87	10.7
Suggestion	8 Ø 8	11 Ø 8	8 Ø 10	9 Ø 10	10 Ø 10	11 Ø 10	13 Ø 10	14 Ø 10

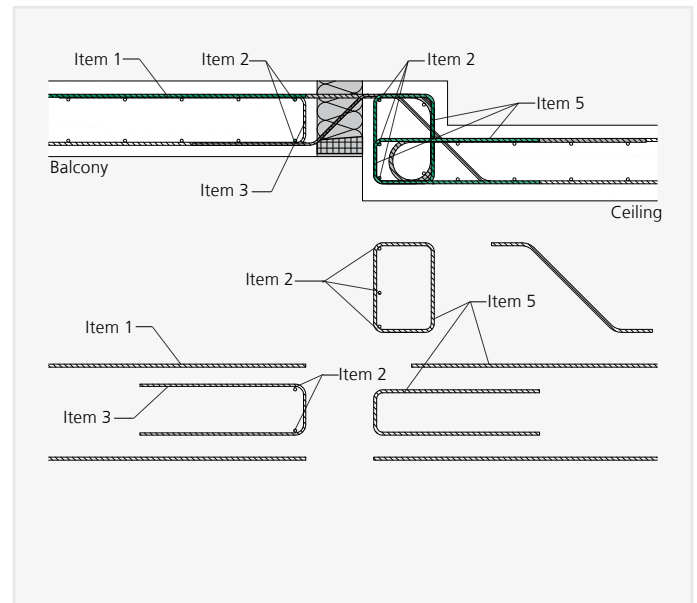
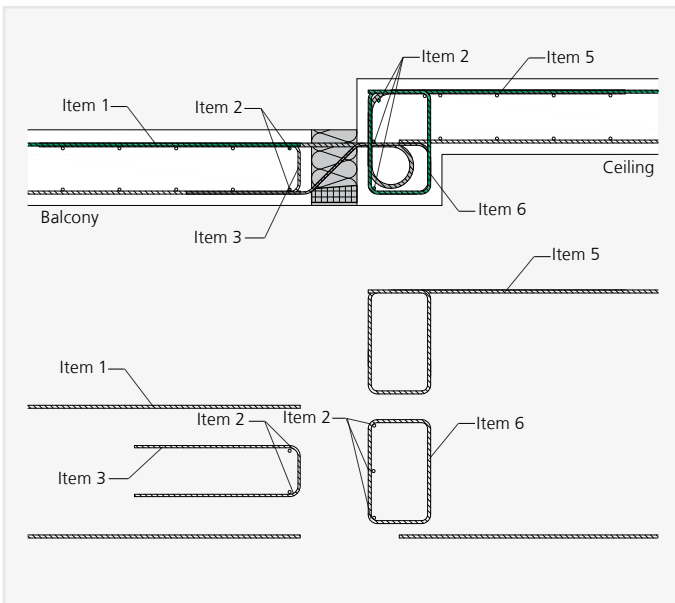
SUPPLEMENTARY REINFORCEMENT

CONNECTION TO A SLIGHTLY VERTICALLY OFFSET CEILING WITH A STANDARD ISOMAXX® UNIT



- Item 1 connection reinforcement for the ISOMAXX® unit – p. 34
- Item 2 spacing bar 2 Ø 8 on the balcony, 3 Ø 8 on the ceiling
- Item 3 structural edging parallel to the ISOMAXX® unit in accordance with DIN EN 1992-1-1 min. Ø 6/250 respectively in accordance with the structural engineer's specifications
- Item 4 slab reinforcement and structural edging at the free balcony edge in accordance with DIN EN 1992-1-1 min. Ø 6/250 respectively in accordance with the structural engineer's specifications (not shown here)
- Item 5 stirrup for deflecting the tensile force in the joist to the upper tensile reinforcement in accordance with the structural engineer's specifications. The overlap length with the tensile reinforcement must be guaranteed.
- Item 6 shear reinforcement of the joist in accordance with the structural engineer's specifications.

CONNECTION TO VERTICALLY OFFSET CEILINGS – IM VAR. III



- Item 1 connection reinforcement for the ISOMAXX® unit – see table p.50
- Item 2 spacing bar 2 Ø 8 on the balcony, 3 Ø 8 on the ceiling
- Item 3 structural edging parallel to the ISOMAXX® unit in accordance with DIN EN 1992-1-1 min. Ø 6/250 respectively in accordance with the structural engineer's specifications
- Item 4 structural edging at the free balcony edge in accordance with DIN EN 1992-1-1 min. Ø 6/250 respectively in accordance with the structural engineer's specifications (not shown here)
- Item 5 stirrup for deflecting the tensile force in the joist to the upper tensile reinforcement in accordance with the structural engineer's specifications. The overlap length with the tensile reinforcement must be guaranteed.
- Item 6 shear reinforcement of the joist in accordance with the structural engineer's specifications.
- The ISOMAXX® unit must be installed before the joist reinforcement is fitted.



ISOMAXX® IM corner and IMT corner

UNITS FOR
CANTILEVERED
CORNER BALCONIES

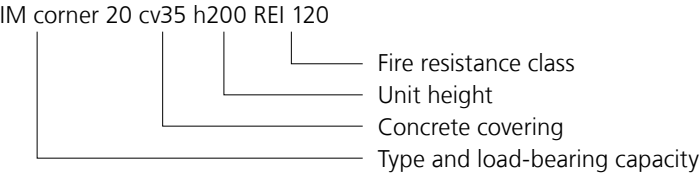
ISOMAXX® IM CORNER AND IMT CORNER

- IM corner – Pressure plane with concrete compression bearings
- IMT corner – Pressure plane with steel pressure rods
- Load-bearing capacity IM corner 20 and 30, IMT corner 50, shear force load-bearing capacity Q8, Q10 and Q12
- A corner unit comprises an EL unit (left corner) in cv35 and an ER unit (right corner) in cv50 and a corner insulation body 120 x 120 mm
- Unit heights starting from 180 mm
- Fire resistance class REI 120 available for IM corner, R 90 available for IMT corner

ISOMAXX® IM(T) SUB-UNIT EL/ER

- Sub-unit IM EL/ER – Pressure plane with concrete compression bearings
- Sub- unit IMT EL/ER – Pressure plane with with steel pressure rods
- Load-bearing capacities IM EL and IM ER 20 and 30, IMT EL 50 and IMT ER 50, shear force load-bearing capacities Q8, Q10 and Q12
- Concrete covering of tension rods cv35 (EL) or cv50 (ER)
- Unit heights starting from 180 mm
- Fire resistance classes: IM EL and IM ER available in REI 120, IMT EL and IMT ER available in R 90

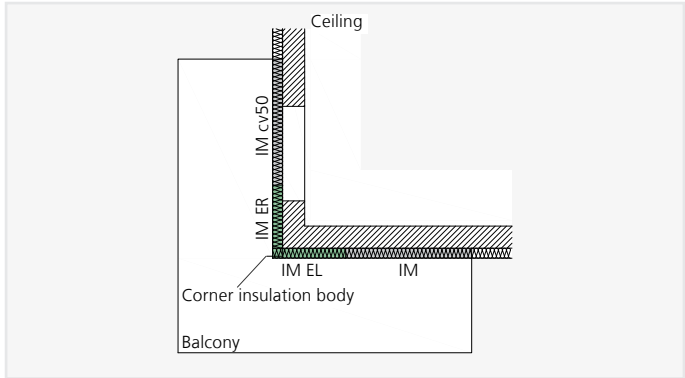
TYPE DESIGNATION



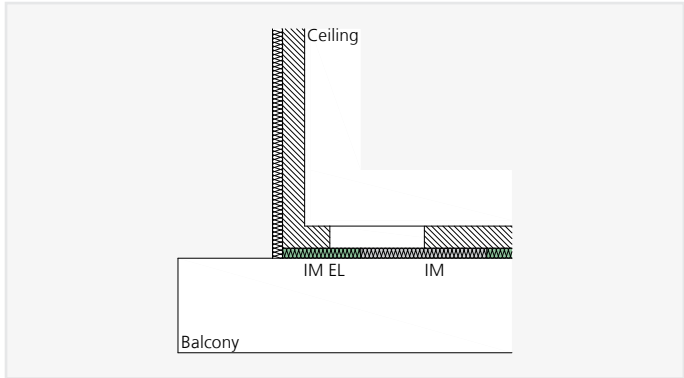
APPLICATION – UNIT ARRANGEMENT



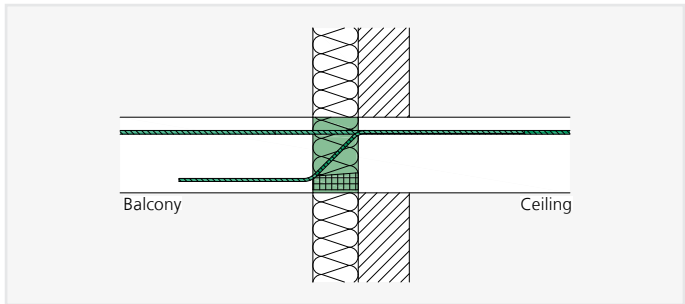
This chapter provides planning aids and specific information about this product. In addition, the general information on materials, design, building physics, installation on site, etc. on pages 10 – 25 has also to be considered.



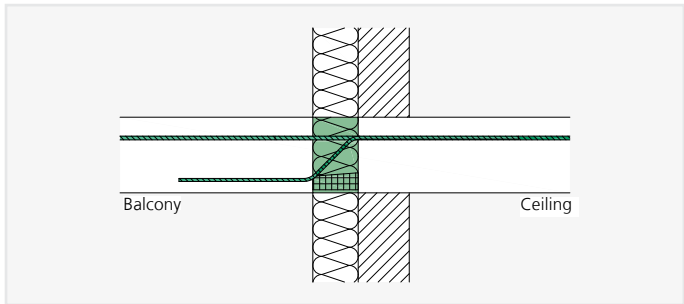
ISOMAXX® IM corner – Cantilevered external corner balcony



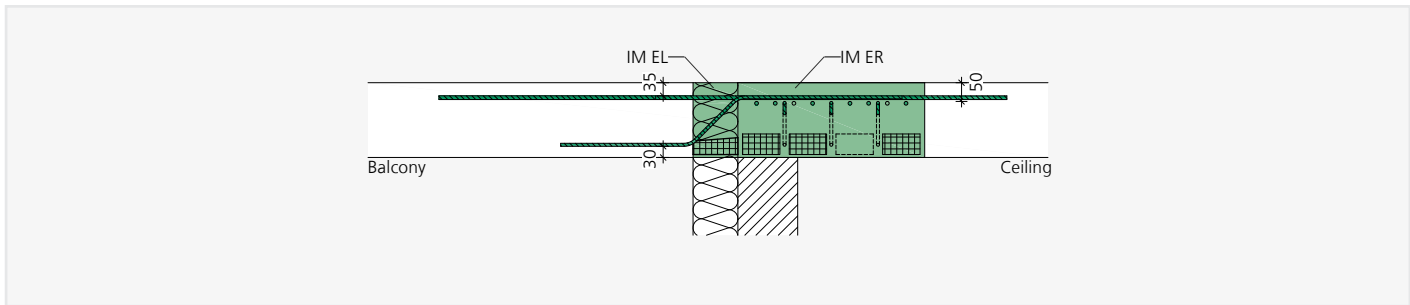
ISOMAXX® IM EL – Cantilevered balcony with slab protruding over the support



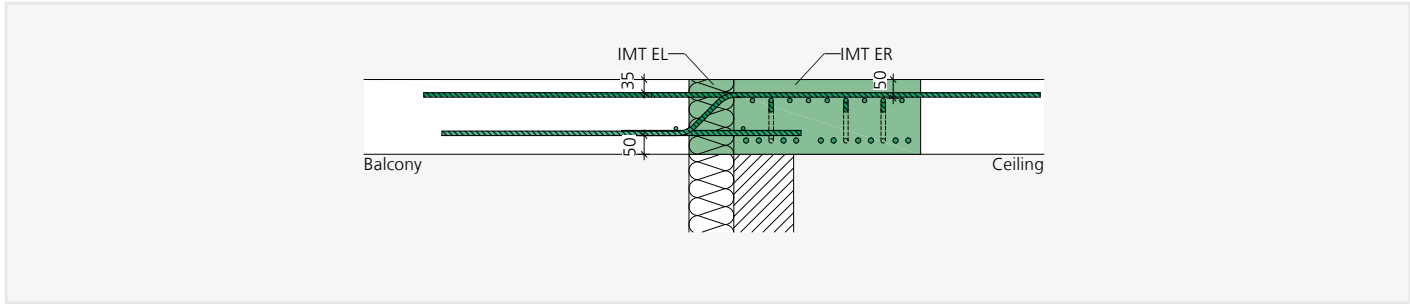
ISOMAXX® IM EL/ER – Installation cross-section cv35



ISOMAXX® IM EL/ER – Installation cross-section cv50



ISOMAXX® IM corner – Cross-section through the corner situation



ISOMAXX® IMT corner – Cross-section through the corner situation

DESIGN TABLE FOR CONCRETE \geq C25/30

DESIGN VALUES OF ALLOWABLE MOMENTS M_{RD} [kNm] PER SUB-UNIT EL/ER

Unit height [mm] for cv 35/50	ISOMAXX®		
	IM corner 20	IM corner 30	IMT corner 50
180	14.1	21.4	24.7
190	15.6	23.7	27.7
200	17.1	26.0	30.8
210	18.7	28.4	33.8
220	20.3	30.8	36.9
230	21.9	33.2	39.9
240	23.6	35.7	42.9
250	25.2	38.1	46.0

DESIGN VALUES OF ALLOWABLE SHEARING FORCES v_{Rd} [kN] PER SUB-UNIT EL/ER

Shearing force	h_{min} [mm] cv 35/50	IM corner 20	IM corner 30	IMT corner 50
Q8	180	72.4	–	–
Q10	180/200	104.3	104.3	104.3
Q12	190/210	–	142.1	142.1

DIMENSIONS AND ASSIGNMENT

ISOMAXX®	IM corner 20	IM corner 30	IMT corner 50
Unit length [mm]		500 + 500	
Tension rods	2 x 6 Ø 8	2 x 6 Ø 10	2 x 5 Ø 14
Compression bearings CB/ steel pressure rods PR	2 x 3 CB	2 x 4 CB	2 x PR 10 Ø 14
Shear rods Q8	2 x 3 Ø 10	–	–
Shear rods Q10	2 x 3 Ø 12	2 x 3 Ø 12	2 x 3 Ø 12
Shear rods Q12	–	2 x 3 Ø 14	2 x 3 Ø 14

NOTES

- With small cantilever arm lengths, a combination of a standard ISOMAXX® IM unit in cv35 and an ISOMAXX® IM unit in cv50 can also be used instead of the ISOMAXX® IM/IMT corner unit.
- Sub-units of the corner unit are also available individually for use where high moments and shearing forces occur at specific points.
- With an ISOMAXX® IM/IMT corner, the IM EL unit is always produced in cv35 and the IM ER unit in cv50. Arranged to the left and right of the ceiling viewpoint.
- Adjoining the ER unit, an ISOMAXX® IM unit in cv50 is required when using a corner unit. It is then possible to proceed in cv35 or cv50. The reinforcement can be simplified by continuing in cv50.

DEFLECTION – DISTANCE BETWEEN EXPANSION JOINTS

DEFLECTION

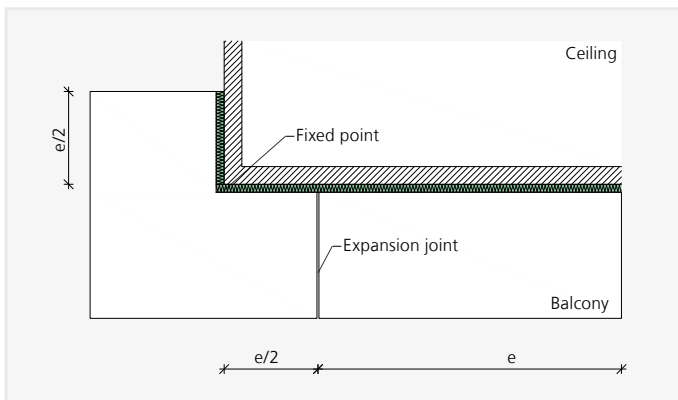
The required camber of the reinforced concrete components is calculated in the same way as for the ISOMAXX® units on page 30 using the deflection factors below.

DEFLECTION FACTOR α FOR CONCRETE \geq C 25/30

ISOMAXX®	concrete covering cv [mm]								
		180	190	200	210	220	230	240	250
IM Eck 20	35/50	1.07	0.98	0.90	0.84	0.78	0.73	0.69	0.66
IM Eck 30	35/50	1.26	1.14	1.05	0.97	0.91	0.85	0.80	0.76
IMT Eck 50	35/50	1.60	1.42	1.28	1.17	1.07	0.99	0.92	0.86

DISTANCE BETWEEN EXPANSION JOINTS

For balconies that overhang corners, it must be taken into consideration that the corner is a fixed point. This reduces the maximum permissible distance between expansion joints to $e/2$. If the component dimensions exceed the maximum distance between expansion joints, expansion joints must be arranged perpendicular to the insulation plane.



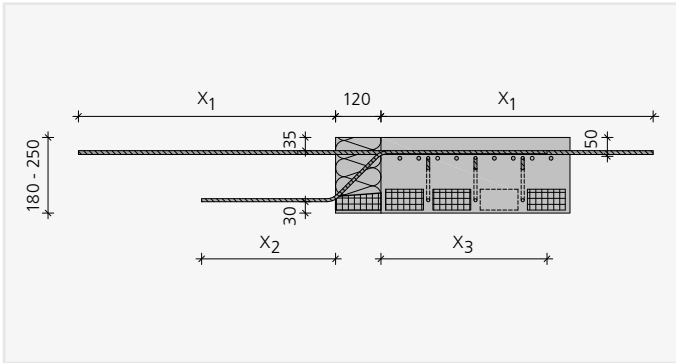
Expansion joint layout for corner balconies

MAXIMUM PERMISSIBLE DISTANCE BETWEEN EXPANSION JOINTS

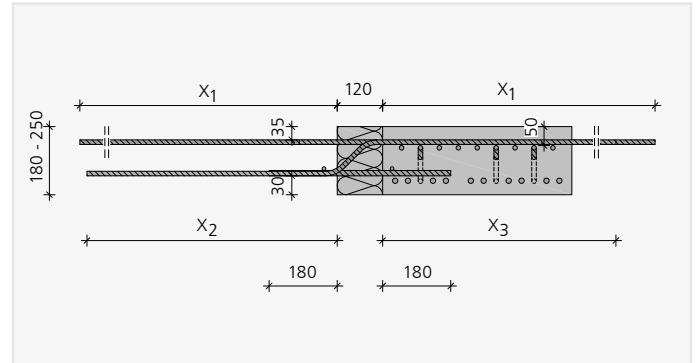
ISOMAXX®	IM corner 20		IM corner 30		IMT corner 50	
	Q8	Q10	Q10	Q12	Q10	Q12
Shear force load-bearing capacity						
Distance between joints $e/2$ [m]	10.8	9.9	9.9	8.5	8.5	8.5

UNIT STRUCTURE

ISOMAXX® IM CORNER



ISOMAXX® IMT CORNER 50



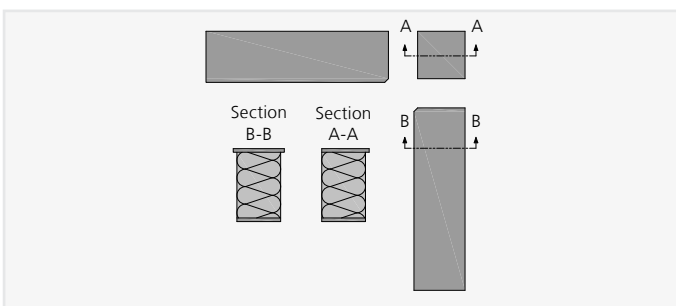
TENSION ROD DIMENSIONS [MM]

Length tension rod [mm]	IM corner 20	IM corner 30	IMT corner 50
X ₁	580	720	980

SHEAR ROD DIMENSIONS [MM]

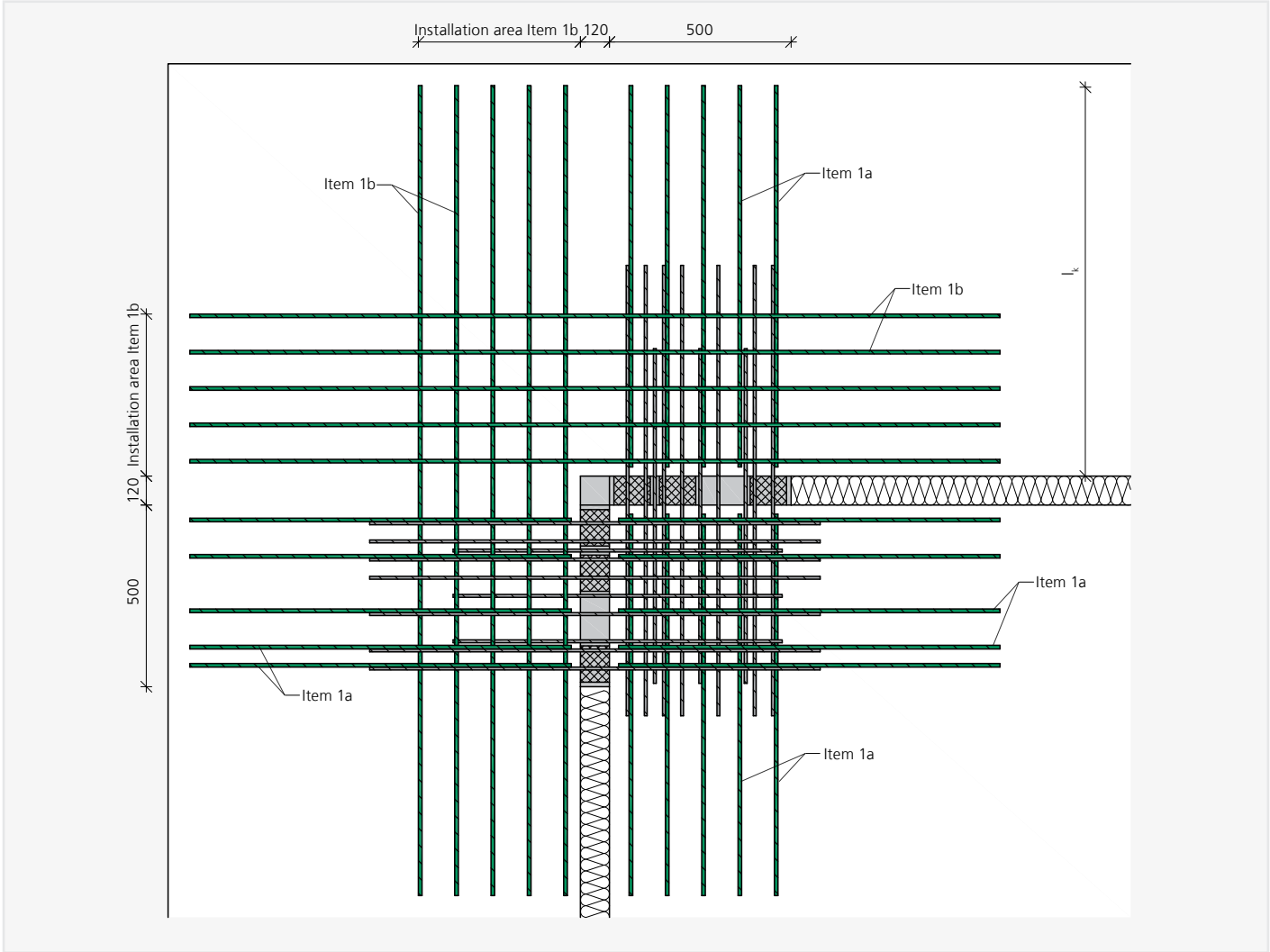
Length shear rod [mm]	Q8	Q10	Q12
X ₂	560	670	780
X ₃	≤ 600	≤ 705	≤ 815
h _{min} for cv 35	180	180	190
h _{min} for cv 50	180	200	210

ISOMAXX® IM CORNER - FIRE PROTECTION VERSION, SCHEMATIC DESCRIPTION OF INSULATION



SUPPLEMENTARY REINFORCEMENT

ISOMAXX® IM CORNER

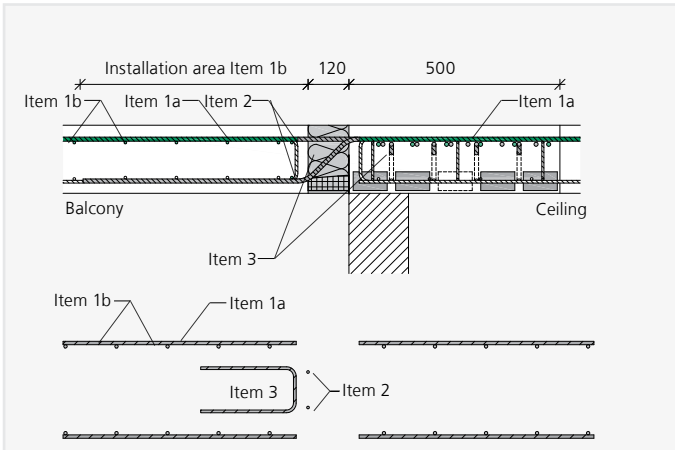


ISOMAXX® IM corner – Plan view of supplementary reinforcement, example illustration IM corner 20

SUPPLEMENTARY REINFORCEMENT

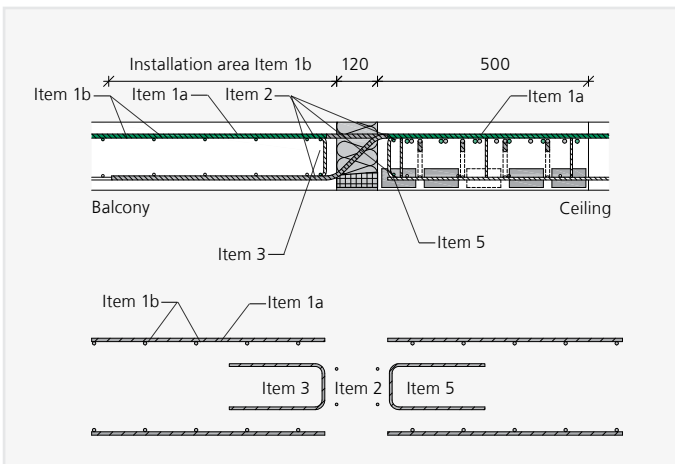
ISOMAXX® IM CORNER AND IMT CORNER

DIRECT SUPPORT



- Item 1a connection reinforcement and Item 1b additional reinforcement for the ISOMAXX® unit – see table
- Item 2 spacing bar 2 Ø 8 on the balcony
- Item 3 structural edging parallel to the ISOMAXX® unit in accordance with DIN EN 1992-1-1 min. Ø 6/250 respectively in accordance with the structural engineer's specifications
- Item 4 structural edging at the free balcony edge in accordance with DIN EN 1992-1-1 min. Ø 6/250 respectively in accordance with the structural engineer's specifications (not shown here)

INDIRECT SUPPORT



- Item 1a connection reinforcement and Item 1b additional reinforcement for the ISOMAXX® unit – see table
- Item 2 spacing bar 2 x 2 Ø 8 on the balcony
- Item 3 structural edging at the free balcony edge in accordance with DIN EN 1992-1-1 min. Ø 6/250 respectively in accordance with the structural engineer's specifications
- Item 4 structural edging at the free balcony edge in accordance with DIN EN 1992-1-1 min. Ø 6/250 respectively in accordance with the structural engineer's specifications (not shown here)
- Item 5 supplementary reinforcement for the ISOMAXX® unit – see table

CONNECTION AND ADDITIONAL REINFORCEMENT

ISOMAXX®	IM corner 20	IM corner 30	IMT corner 50
Connection reinforcement Item 1a	7 Ø 8	7 Ø 10	5 Ø 14
Rod length Item 1a	$l_k - 70$	$l_k - 70$	$l_k - 70$
Additional reinforcement Item 1b	2 x 7 Ø 8/100	2 x 7 Ø 10/100	2 x 5 Ø 14/100
Rod length Item 1b	2 x l_k	2 x l_k	2 x l_k
Installation area Item 1b	640	640	440
Suppl. reinforcement Item 5	–	–	3 Ø 12





ISOMAXX® IMQ and IMZQ, IMQS/IMTQS and IMQZ

UNITS FOR
SUPPORTED BALCONIES

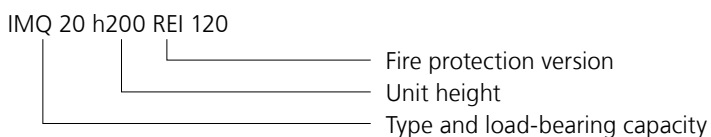
ISOMAXX® IMQ, IMZQ

- For transferring positive shearing forces
- Unit length 1.0 m
- ISOMAXX® IMQ pressure plane with concrete compression bearings
- ISOMAXX® IMZQ for constraint-free support without pressure components
- Unit heights depending on the load-bearing capacity starting from $h_{\min} = 160$ mm
- Fire resistance class REI 120 available

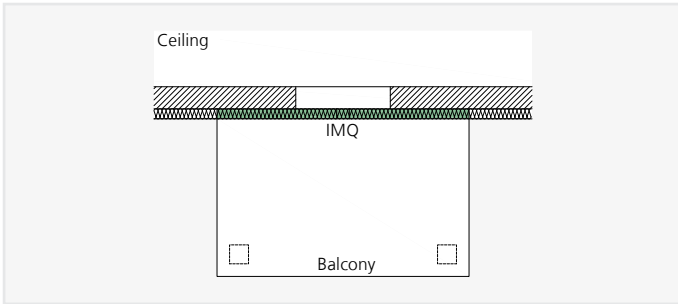
ISOMAXX® IMQS/IMTQS, IMQZ

- Short units for load peaks at specific points
- Unit length depending on the load-bearing capacity 0.3 m, 0.4 m or 0.5 m
- ISOMAXX® IMQS pressure plane with concrete compression bearings
- ISOMAXX® IMTQS pressure plane with steel pressure rods
- ISOMAXX® IMQZ for constraint-free support without pressure components
- Unit heights depending on the load-bearing capacity starting from $h_{\min} = 160$ mm
- Fire resistance class REI 120 available for IMQS and IMQZ, R 90 available for IMTQS

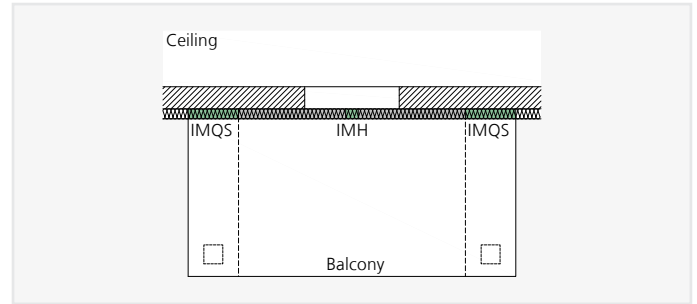
TYPE DESIGNATION



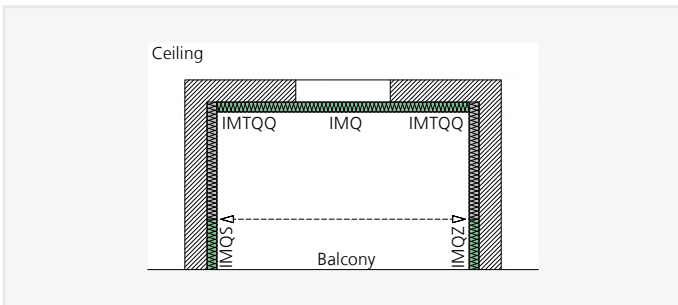
APPLICATION – UNIT ARRANGEMENT



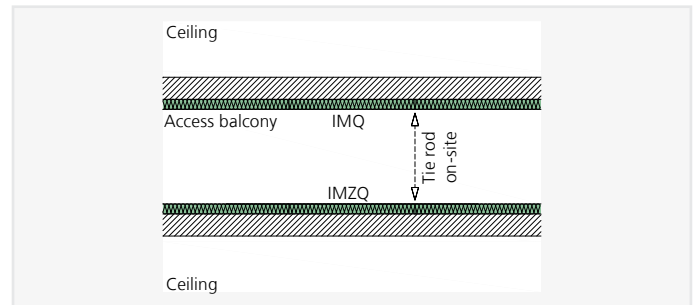
ISOMAXX® IMQ – supported balcony



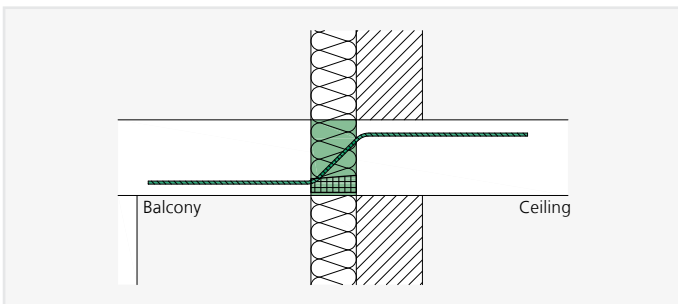
ISOMAXX® IMQS – supported balcony with joist and support at specific points with ISOMAXX® IMQS



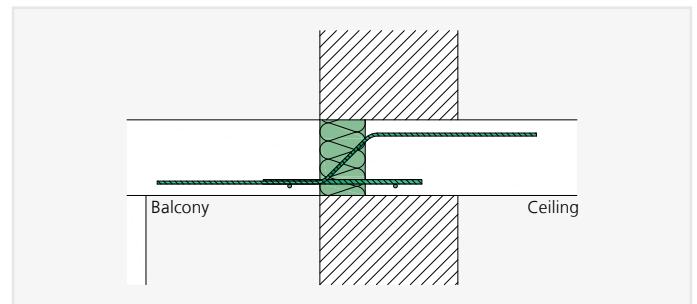
ISOMAXX® IMQ, IMTQQ, IMQS/IMTQS, IMQZ – Loggia balcony with load peaks at specific points and constraint-free support at the front



ISOMAXX® IMQ, IMZQ – Access balcony with constraint-free support

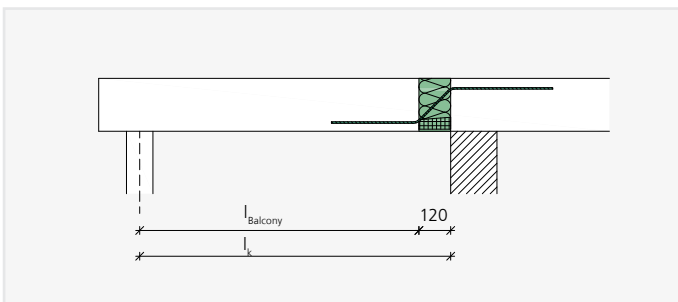


ISOMAXX® IMQ, IMQS – Installation cross-section of thermal insulation composite system

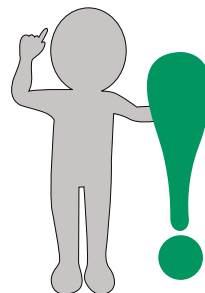


ISOMAXX® IMTQS – Installation cross-section of single-leaf masonry

STATIC SYSTEM



ISOMAXX® IMQ – Static system



For balconies connected with shear units, appropriate support must be provided in all construction conditions. Temporary supports may only be removed if the permanent supports, which may have been installed at a later date, are sufficiently strong and frictionally connected to the balcony.

DESIGN TABLES FOR CONCRETE \geq C25/30

ISOMAXX® IMQ – DESIGN VALUES OF ALLOWABLE SHEARING FORCE v_{RD} [kN/m]

ISOMAXX®	Shearing force v_{RD} [kN/m]	Unit height [mm]	Unit length [mm]	Shear rods	Compression bearings (CB)
				Assignment	Assignment
IMQ 10	34.8	≥ 160	1000	4 $\emptyset 6^*$	4 CB
IMQ 20	43.5	≥ 160	1000	5 $\emptyset 6^*$	4 CB
IMQ 25	52.2	≥ 160	1000	6 $\emptyset 6^*$	4 CB
IMQ 30	60.8	≥ 160	1000	7 $\emptyset 6^*$	4 CB
IMQ 40	69.5	≥ 160	1000	8 $\emptyset 6^*$	4 CB
IMQ 45	78.2	≥ 160	1000	9 $\emptyset 6^*$	4 CB
IMQ 50	86.9	≥ 160	1000	10 $\emptyset 6^*$	4 CB
IMQ 60	92.7	≥ 160	1000	6 $\emptyset 8$	4 CB
IMQ 70	108.2	≥ 160	1000	7 $\emptyset 8$	4 CB
IMQ 80	123.6	≥ 160	1000	8 $\emptyset 8$	4 CB
IMQ 90	154.5	≥ 160	1000	10 $\emptyset 8$	4 CB
IMQ 95	169.0	≥ 170	1000	7 $\emptyset 10$	4 CB
IMQ 100	193.2	≥ 170	1000	8 $\emptyset 10$	4 CB
IMQ 110	217.3	≥ 170	1000	9 $\emptyset 10$	4 CB
IMQ 120	241.5	≥ 170	1000	10 $\emptyset 10$	4 CB

ISOMAXX® IMZQ – DESIGN VALUES OF ALLOWABLE SHEARING FORCE v_{RD} [kN/m]

ISOMAXX®	Shearing force v_{RD} [kN/m]	Unit height [mm]	Unit length [mm]	Shear rods	Compression bearings (CB)
				Assignment	Assignment
IMZQ 10	34.8	≥ 160	1000	4 $\emptyset 6^*$	-
IMZQ 20	43.5	≥ 160	1000	5 $\emptyset 6^*$	-
IMZQ 25	52.2	≥ 160	1000	6 $\emptyset 6^*$	-
IMZQ 30	60.8	≥ 160	1000	7 $\emptyset 6^*$	-
IMZQ 40	69.5	≥ 160	1000	8 $\emptyset 6^*$	-
IMZQ 45	78.2	≥ 160	1000	9 $\emptyset 6^*$	-
IMZQ 50	86.9	≥ 160	1000	10 $\emptyset 6^*$	-
IMZQ 60	92.7	≥ 160	1000	6 $\emptyset 8$	-
IMZQ 70	108.2	≥ 160	1000	7 $\emptyset 8$	-
IMZQ 80	123.6	≥ 160	1000	8 $\emptyset 8$	-
IMZQ 90	154.5	≥ 160	1000	10 $\emptyset 8$	-
IMZQ 95	169.0	≥ 170	1000	7 $\emptyset 10$	-
IMZQ 100	193.2	≥ 170	1000	8 $\emptyset 10$	-
IMZQ 110	217.3	≥ 170	1000	9 $\emptyset 10$	-
IMZQ 120	241.5	≥ 170	1000	10 $\emptyset 10$	-

DESIGN TABLES FOR CONCRETE \geq C25/30

ISOMAXX® IMQS – DESIGN VALUES OF ALLOWABLE SHEARING FORCE v_{RD} [kN/m]

ISOMAXX®	Shearing force v_{RD} [kN/m]	Unit height [mm]	Unit length [mm]	Shear rods	Compression bearings (CB)/steel pressure rods (SR)
				Assignment	Assignment
IMQS 5	30.9	≥ 160	300	2 $\varnothing 8$	1 CB
IMQS 10	48.3	≥ 170	300	2 $\varnothing 10$	1 CB
IMQS 15	61.8	≥ 160	500	4 $\varnothing 8$	2 CB
IMQS 20	72.4	≥ 170	400	3 $\varnothing 10$	2 CB
IMQS 30	96.6	≥ 170	500	4 $\varnothing 10$	2 CB
IMQS 40	63.2	≥ 180	300	2 $\varnothing 12$	1 CB
IMQS 50	72.4	≥ 170	400	3 $\varnothing 10$	2 CB
IMTQS 60	84.0	≥ 190	300	2 $\varnothing 14$	PR 3 $\varnothing 14$
IMQS 70	104.3	≥ 180	400	3 $\varnothing 12$	2 CB
IMTQS 75	140.0	≥ 190	400	3 $\varnothing 14$	PR 5 $\varnothing 14$
IMQS 80	139.1	≥ 180	500	4 $\varnothing 12$	3 CB
IMTQS 100	167.9	≥ 190	500	4 $\varnothing 14$	PR 6 $\varnothing 14$

ISOMAXX® IMQZ – DESIGN VALUES OF ALLOWABLE SHEARING FORCE v_{RD} [kN/m]

ISOMAXX®	Shearing force v_{RD} [kN/m]	Unit height [mm]	Unit length [mm]	Shear rods	Compression bearings (CB)
				Assignment	Assignment
IMQZ 5	30.9	≥ 160	300	2 $\varnothing 8$	–
IMQZ 10	48.3	≥ 170	300	2 $\varnothing 10$	–
IMQZ 15	61.8	≥ 160	500	4 $\varnothing 8$	–
IMQZ 20	72.4	≥ 170	400	3 $\varnothing 10$	–
IMQZ 30	96.6	≥ 170	500	4 $\varnothing 10$	–
IMQZ 40	63.2	≥ 180	300	2 $\varnothing 12$	–
IMQZ 50	72.4	≥ 170	400	3 $\varnothing 10$	–
IMQZ 60	84.0	≥ 190	300	2 $\varnothing 14$	–
IMQZ 70	104.3	≥ 180	400	3 $\varnothing 12$	–
IMQZ 75	140.0	≥ 190	400	3 $\varnothing 14$	–
IMQZ 80	139.1	≥ 180	500	4 $\varnothing 12$	–
IMQZ 100	167.9	≥ 190	500	4 $\varnothing 14$	–

*Units with shear rods $\varnothing 6$ have a looped rod on the ceiling side. For all other units, the shear rod on the ceiling side is straight (see also page 61)



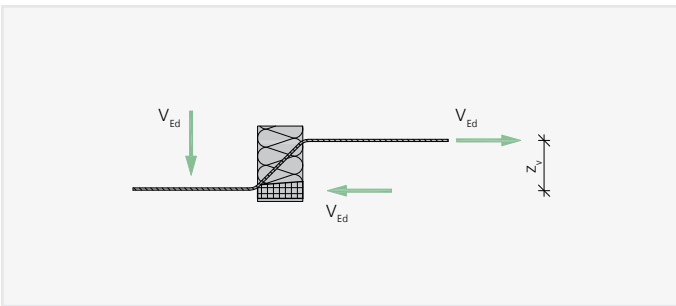
This chapter provides planning aids and specific information about this product. In addition, the general information on materials, design, building physics, installation on site, etc. on pages 10 – 25 has also to be considered.

DESIGN – EXPANSION JOINTS

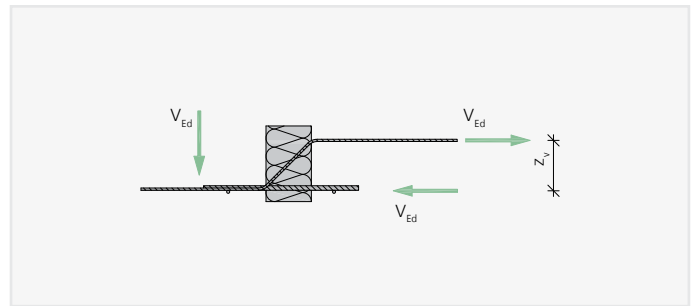
MOMENTS RESULTING FROM ECCENTRIC CONNECTIONS

When designing the connection reinforcement on the ceiling for shear units IMQ to IMQZ, a moment resulting from eccentric connections must also be considered. This moment is to be superimposed on the moments resulting from the planned loads if the moments are both positive or both negative. The moment is calculated ΔM_{Ed} on the basis of the assumption that the units are fully utilised.

$$\Delta M_{Ed} = V_{Ed} \cdot z_v$$



ISOMAXX® IMQ, IMQS – Units with concrete compression bearings
 z_v – Lever arm for determining the offset moment



ISOMAXX® IMTQS – Units with steel pressure rods
 z_v – Lever arm for determining the offset moment

OFFSET MOMENTS IMQ, IMZQ

ISOMAXX®	Δm_{Ed} [kNm/m]	
	$h < 200$ mm	$h \geq 200$ mm
IMQ/IMZQ 10	3.3	4.7
IMQ/IMZQ 20	4.1	5.8
IMQ/IMZQ 25	4.9	7.0
IMQ/IMZQ 30	5.7	8.2
IMQ/IMZQ 40	6.5	9.3
IMQ/IMZQ 45	7.4	10.5
IMQ/IMZQ 50	8.2	11.6
IMQ/IMZQ 60	8.6	12.3
IMQ/IMZQ 70	10.1	14.4
IMQ/IMZQ 80	11.5	16.4
IMQ/IMZQ 90	14.4	20.6
IMQ/IMZQ 95	15.6	22.3
IMQ/IMZQ 100	17.8	25.5
IMQ/IMZQ 110	20.0	28.7
IMQ/IMZQ 120	22.2	31.9

OFFSET MOMENTS IMQS/IMTQS, IMQZ

ISOMAXX®	ΔM_{Ed} [kNm]	
	$h < 200$ mm	$h \geq 200$ mm
IMQS/IMQZ 5	2.9	4.1
IMQS/IMQZ 10	4.4	6.4
IMQS/IMQZ 15	5.7	8.2
IMQS/IMQZ 20	6.7	9.6
IMQS/IMQZ 30	8.9	12.7
IMQS/IMQZ 40	5.8	8.3
IMQS/IMQZ 50	6.7	9.6
IMTQS/IMQZ 60	6.8	10.1
IMQS/IMQZ 70	9.5	13.7
IMTQS/IMQZ 75	11.3	16.9
IMQS/IMQZ 80	12.7	18.2
IMTQS/IMQZ 100	13.6	20.3

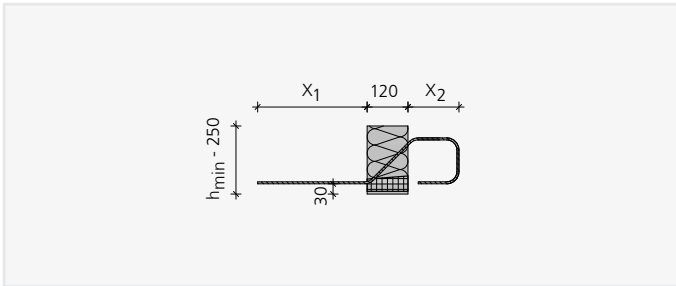
MAXIMUM PERMISSIBLE DISTANCE BETWEEN EXPANSION JOINTS

ISOMAXX®	IMQ/IMZQ 10 to 120 IMQS/IMQZ 5 to 30 and 50	IMQS/IMQZ 40, 70, 80	IMTQS 60, 75, 100
Distance between joints e [m]	21.7	19.8	17.0

UNIT STRUCTURE

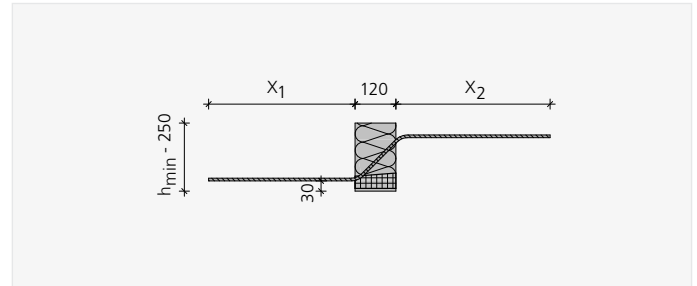
ISOMAXX® IMQ, IMQS, IMZQ*, IMQZ*

SHEAR ROD Ø 6



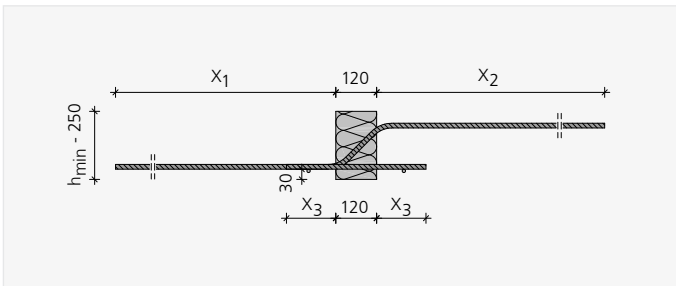
* IMZQ and IMQZ units do not have a pressure plane

SHEAR ROD ≥ Ø 8



ISOMAXX® IMTQS

SHEAR ROD ≥ Ø 12



DIMENSIONS [MM]

Length shear rod [mm]	IMQ 10 – 50 IMZQ 10 – 50	IMQ 60 – 90 IMZQ 60 – 90 IMQS/IMQZ 5, 15	IMQ 95 – 120 IMZQ 95 – 120 IMQS/IMQZ 10, 20, 30, 50	IMQS/IMQZ 40, 70, 80	IMTQS 60, 75, 100 IMQZ 60, 75, 100	IMTQS 60, 75, 100
	Ø 6	Ø 8	Ø 10	Ø 12	Ø 14	Pressure rod Ø 14
X ₁	340	450	560	670	780	–
X ₂	150	≤ 530	≤ 640	≤ 745	≤ 815	–
X ₃	–	–	–	–	–	165
h _{min}	160	160	170	180	190	–

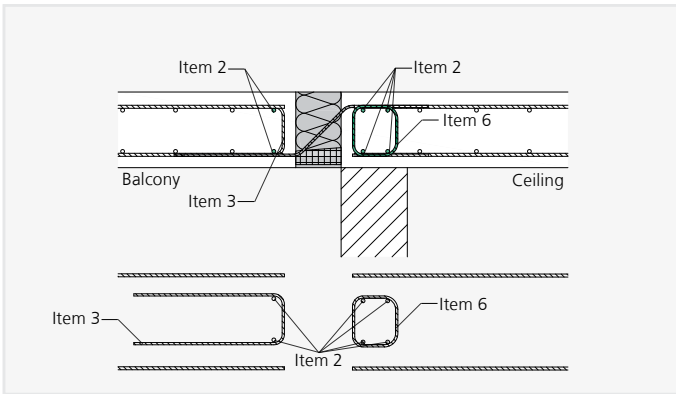
NOTES

- The concrete covering of the shear rods at the bottom is generally 30 mm.
- The concrete covering of the shear rods at the top is cv35 to cv85 depending on the height and the rod diameter.

SUPPLEMENTARY REINFORCEMENT

ISOMAXX® IMQ, IMZQ, IMQS, IMQZ WITH SHEAR ROD Ø 6 – LOOPED ON THE CEILING SIDE

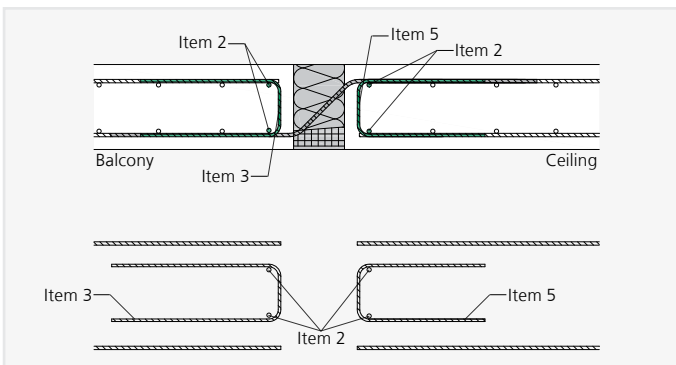
DIRECT SUPPORT



- Item 1 slab reinforcement in accordance with DIN EN 1992-1-1 in accordance with the structural engineer's specifications
- Item 2 spacing bar 2 Ø 8 on the balcony, 4 Ø 8 on the ceiling
- Item 3 structural edging parallel to the ISOMAXX® unit in accordance with DIN EN 1992-1-1 min. Ø 6/250 respectively in accordance with the structural engineer's specifications
- Item 4 structural edging at the free balcony edge in accordance with DIN EN 1992-1-1 min. Ø 6/250 respectively in accordance with the structural engineer's specifications (not shown here)
- Item 6 stirrup (edge beam) Ø 6/200.
- For indirect support, a supplementary reinforcement must be arranged on the ceiling side – see table, item 5

ISOMAXX® IMQ, IMZQ, IMQS, IMQZ – SHEAR ROD STRAIGHT ON THE CEILING SIDE

INDIRECT SUPPORT



- Item 1 slab reinforcement in accordance with DIN EN 1992-1-1 in accordance with the structural engineer's specifications
- Item 2 spacing bar 2 x 2 Ø 8 on the balcony and ceiling
- Item 3 structural edging parallel to the ISOMAXX® unit in accordance with DIN EN 1992-1-1 min. Ø 6/250 respectively in accordance with the structural engineer's specifications
- Item 4 structural edging at the free balcony edge in accordance with DIN EN 1992-1-1 min. Ø 6/250 respectively in accordance with the structural engineer's specifications (not shown here)
- Item 5 supplementary reinforcement with indirect support on the ceiling side – see table

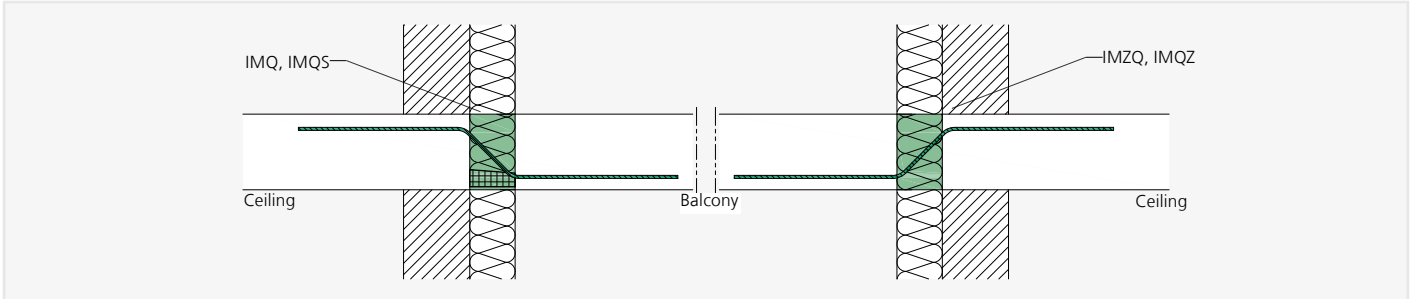
SUPPLEMENTARY REINFORCEMENT FOR CONCRETE ≥ C25/30

ISOMAXX®	Supplementary reinforcement Item 5 $A_{s,erf}$ [cm ²]
IMQ/IMZQ 10	0.80
IMQ/IMZQ 20	1.00
IMQ/IMZQ 25	1.20
IMQ/IMZQ 30	1.40
IMQ/IMZQ 40	1.60
IMQ/IMZQ 45	1.78
IMQ/IMZQ 50	2.00
IMQ/IMZQ 60	2.13
IMQ/IMZQ 70	2.49
IMQ/IMZQ 80	2.84
IMQ/IMZQ 90	3.55
IMQ/IMZQ 95	3.89
IMQ/IMZQ 100	4.44
IMQ/IMZQ 110	5.00
IMQ/IMZQ 120	5.55

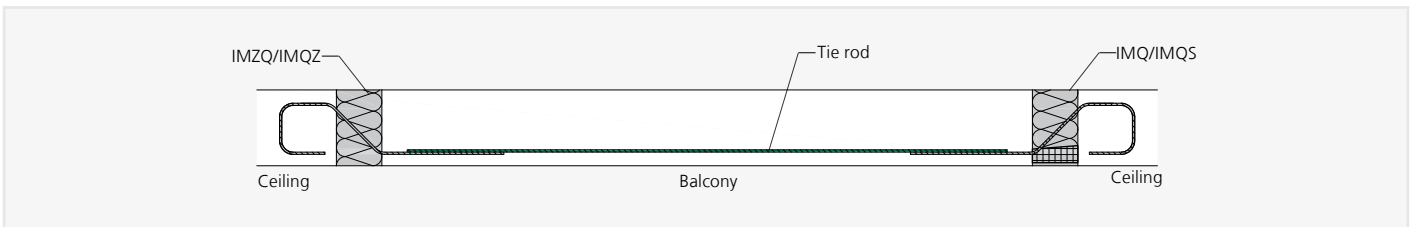
ISOMAXX®	Supplementary reinforcement Item 5 $A_{s,erf}$ [cm ²]
IMQS/IMQZ 5	0.71
IMQS/IMQZ 10	1.11
IMQS/IMQZ 15	1.42
IMQS/IMQZ 20	1.66
IMQS/IMQZ 30	2.22
IMQS/IMQZ 40	1.45
IMQS/IMQZ 50	1.66
IMTQS/IMQZ 60	1.93
IMQS/IMQZ 70	2.40
IMQS/IMQZ 75	3.22
IMTQS/IMQZ 80	3.20
IMTQS/IMQZ 100	3.86

SUPPLEMENTARY REINFORCEMENT

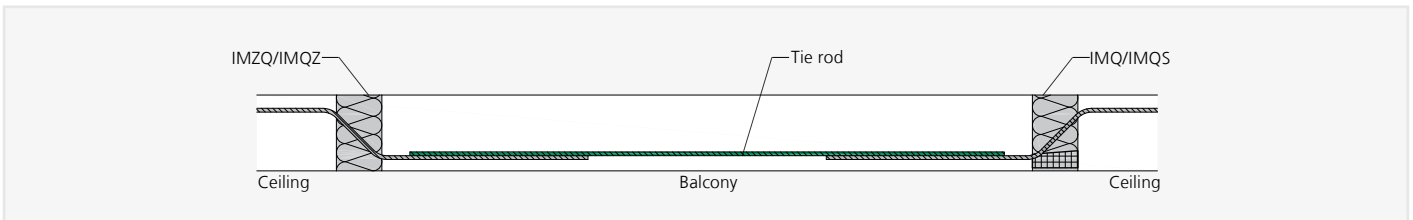
SUPPLEMENTARY REINFORCEMENT WITH CONSTRAINT-FREE SUPPORT



ISOMAXX® IMQ/IMZQ, IMQS/IMQZ – Installation cross-section with opposite types of same load bearing capacity



ISOMAXX® IMZQ/IMQ, IMQZ/IMQS – On-site tie rod in the bottom layer of reinforcement – Shear rod $\varnothing 6$ on the ceiling, looped



ISOMAXX® IMZQ/IMQ, IMQZ/IMQS – On-site tie rod in the bottom layer of reinforcement – Shear rod on the ceiling, straight

For constraint-free support with an ISOMAXX® IMZQ or IMQZ unit, a corresponding IMQ or IMQS/IMTQS unit must be used opposite. A tie rod must be installed between the two units in accordance with the shear reinforcement of the ISOMAXX® units.

TIE ROD ISOMAXX® IMZQ

ISOMAXX®	IMZQ 10	IMZQ 20	IMZQ 25	IMZQ 30	IMZQ 40	IMZQ 45	IMZQ 50
Tie rod	4 $\varnothing 6$	5 $\varnothing 6$	6 $\varnothing 6$	7 $\varnothing 6$	8 $\varnothing 6$	9 $\varnothing 6$	10 $\varnothing 6$

ISOMAXX®	IMZQ 60	IMZQ 70	IMZQ 80	IMZQ 90	IMZQ 95	IMZQ 100	IMZQ 110	IMZQ 120
Tie rod	6 $\varnothing 8$	7 $\varnothing 8$	8 $\varnothing 8$	10 $\varnothing 8$	7 $\varnothing 10$	8 $\varnothing 10$	9 $\varnothing 10$	10 $\varnothing 10$

TIE ROD ISOMAXX® IMQZ

ISOMAXX®	IMQZ 5	IMQZ 10	IMQZ 15	IMQZ 20	IMQZ 30	IMQZ 40
Tie rod	2 $\varnothing 8$	2 $\varnothing 10$	4 $\varnothing 8$	3 $\varnothing 10$	4 $\varnothing 10$	2 $\varnothing 12$

ISOMAXX®	IMQZ 50	IMQZ 60	IMQZ 70	IMQZ 75	IMQZ 80	IMQZ 100
Tie rod	3 $\varnothing 10$	2 $\varnothing 14$	3 $\varnothing 12$	3 $\varnothing 14$	4 $\varnothing 12$	4 $\varnothing 14$



ISOMAXX® IMTQQ and IMTQQS

UNITS FOR
SUPPORTED BALCONIES
WITH LIFTING LOADS

ISOMAXX® IMTQQ

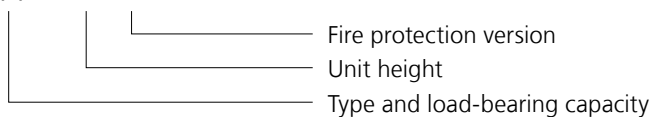
- For transferring positive and negative shearing forces, unit length 1.0 m
- Pressure plane with steel pressure rods
- Load-bearing capacities IMTQQ 10 to IMTQQ 100
- For constraint-free support there are also IMZQQ units without steel pressure rods available
- Unit heights depending on diameter of shear rod starting from $h_{\min} = 160$ mm
- Fire resistance class R 90 available

ISOMAXX® IMTQQS

- Unit length depending on the load-bearing capacity 0.3 m, 0.4 m or 0.5 m
- Pressure plane with steel pressure rods
- Load-bearing capacities IMTQQS 10 to IMTQQS 100
- For constraint-free support there are also IMQQZ units without steel pressure rods available
- Unit heights depending on diameter of shear rod starting from $h_{\min} = 160$ mm
- Fire resistance class R 90 available

TYPE DESIGNATION

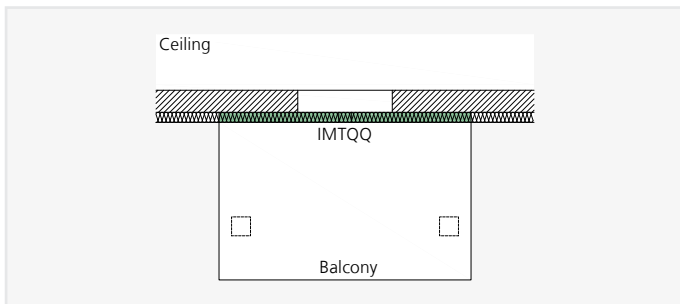
IMTQQ 20 h200 R 90



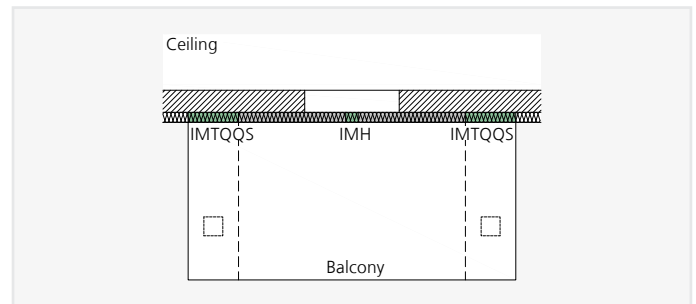
APPLICATION – UNIT ARRANGEMENT



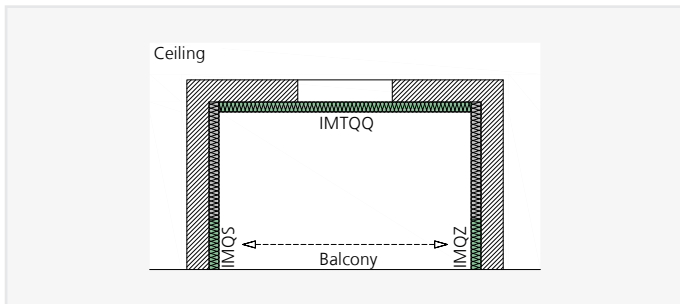
This chapter provides planning aids and specific information about this product. In addition, the general information on materials, design, building physics, installation on site, etc. on pages 10 – 25 has also to be considered.



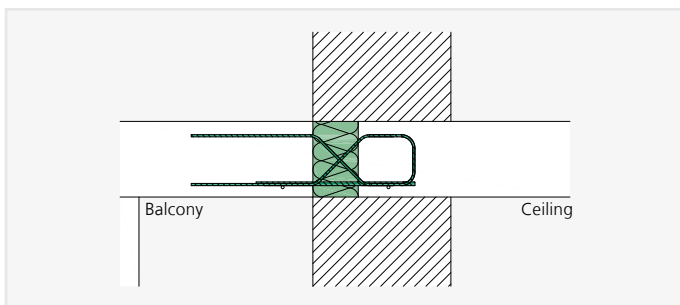
ISOMAXX® IMTQQ – Supported balcony with recessed support position



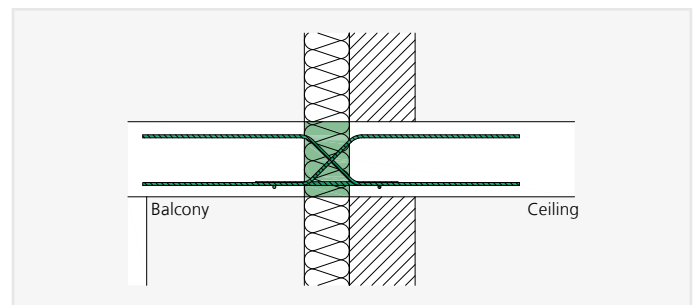
ISOMAXX® IMTQQS – Supported balcony with joists and support at specific points with ISOMAXX® IMTQQS units



ISOMAXX® IMTQQ, IMQS, IMQZ – Loggia balcony with load peaks at specific points at the front and lifting loads in the rear corner area



ISOMAXX® IMTQQ – installation cross-section of single-leaf masonry – Shear rod on the ceiling, looped



ISOMAXX® IMTQQ, IMTQQS – Installation cross-section of thermal insulation composite system – Shear rod on the ceiling, straight



For balconies connected with shear units, appropriate support must be provided in all construction conditions. Temporary supports may only be removed if the permanent supports, which may have been installed at a later date, are sufficiently strong and frictionally connected to the balcony.

DESIGN TABLES FOR CONCRETE \geq C25/30

ISOMAXX® IMTQQ – DESIGN VALUES OF ALLOWABLE SHEARING FORCE v_{RD} [kN/m]

ISOMAXX®	Shearing force v_{RD} [kN/m]	Unit height [mm]	Unit length [mm]	Shear rods	Pressure rods
				Assignment	Assignment
IMTQQ 10	± 34.8	≥ 160	1000	2 x 4 Ø 6*	4 Ø 10
IMTQQ 20	± 43.5	≥ 160	1000	2 x 5 Ø 6*	4 Ø 10
IMTQQ 30	± 60.8	≥ 160	1000	2 x 7 Ø 6*	4 Ø 10
IMTQQ 40	± 69.5	≥ 160	1000	2 x 8 Ø 6*	4 Ø 10
IMTQQ 50	± 86.9	≥ 160	1000	2 x 10 Ø 6*	5 Ø 10
IMTQQ 60	± 92.7	≥ 160	1000	2 x 6 Ø 8	6 Ø 10
IMTQQ 70	± 108.2	≥ 160	1000	2 x 7 Ø 8	6 Ø 10
IMTQQ 80	± 120.9	≥ 170	1000	2 x 5 Ø 10	7 Ø 10
IMTQQ 90	± 144.9	≥ 170	1000	2 x 6 Ø 10	8 Ø 10
IMTQQ 100	± 169.2	≥ 170	1000	2 x 7 Ø 10	10 Ø 10

* Units with shear rods Ø 6 have a looped rod on the ceiling side. For all other units, the shear rod bar on the ceiling side is straight (see also page 68).

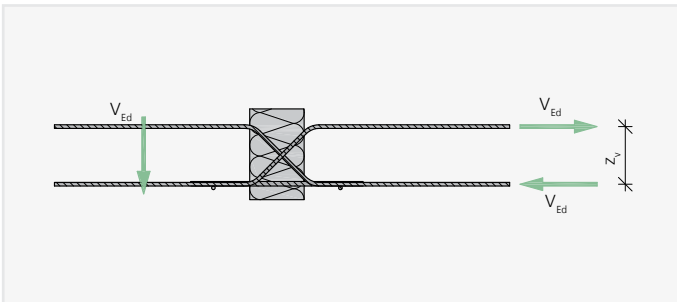
ISOMAXX® IMTQQS – DESIGN VALUES OF ALLOWABLE SHEARING FORCE V_{RD} [kN]

ISOMAXX®	Shearing force V_{RD} [kN/m]	Unit height [mm]	Unit length [mm]	Shear rods	Pressure rods
				Assignment	Assignment
IMTQQS 5	± 30.9	≥ 160	300	2 x 2 Ø 8	2 Ø 10
IMTQQS 10	± 48.0	≥ 170	300	2 x 2 Ø 10	3 Ø 10
IMTQQS 15	± 46.4	≥ 160	400	2 x 3 Ø 8	3 Ø 10
IMTQQS 20	± 72.0	≥ 170	400	2 x 3 Ø 10	4 Ø 10
IMTQQS 30	± 96.0	≥ 170	500	2 x 4 Ø 10	6 Ø 10
IMTQQS 40	± 69.5	≥ 180	300	2 x 2 Ø 12	3 Ø 14
IMTQQS 50	± 96.0	≥ 180	400	2 x 3 Ø 12	4 Ø 14
IMTQQS 60	± 84.0	≥ 190	300	2 x 2 Ø 14	3 Ø 14
IMTQQS 70	± 104.3	≥ 180	400	2 x 3 Ø 12	4 Ø 14
IMTQQS 75	± 140.0	≥ 190	400	2 x 3 Ø 14	5 Ø 14
IMTQQS 80	± 139.1	≥ 180	500	2 x 4 Ø 12	5 Ø 14
IMTQQS 100	± 167.9	≥ 190	500	2 x 4 Ø 14	6 Ø 14

MOMENTS RESULTING FROM ECCENTRIC CONNECTIONS

MOMENTS RESULTING FROM ECCENTRIC CONNECTIONS

When designing the connection reinforcement on the ceiling for the ISOMAXX® IMTQQ and IMTQQS shear units, a moment resulting from eccentric connections must also be considered. This moment is to be superimposed on the moments resulting from the planned loads if the moments are both positive or both negative. The moment is calculated ΔM_{Ed} on the basis of the assumption that the units are fully utilised.



$$\Delta M_{Ed} = V_{Ed} \cdot z_v$$

ISOMAXX® IMTQQ, IMTQQS – Units with pressure steel rods
 z_v – Lever arm for determining the offset moment

OFFSET MOMENT FOR TYPE IMTQQ

ISOMAXX®	Δm_{Ed} [kNm/m]	
	$h < 200$ mm	$h \geq 200$ mm
IMTQQ 10	3.03	4.42
IMTQQ 20	3.79	5.53
IMTQQ 30	4.54	6.63
IMTQQ 40	6.05	8.83
IMTQQ 50	7.56	11.04
IMTQQ 60	7.97	11.68
IMTQQ 70	9.31	13.63
IMTQQ 80	11.49	15.11
IMTQQ 90	13.77	18.11
IMTQQ 100	16.07	21.15

OFFSET MOMENT FOR TYPE IMTQQS

ISOMAXX®	ΔM_{Ed} [kNm]	
	$h < 200$ mm	$h \geq 200$ mm
IMTQQS 5	2.66	3.89
IMTQQS 10	4.56	6.00
IMTQQS 15	3.99	5.85
IMTQQS 20	6.84	9.00
IMTQQS 30	9.12	12.00
IMTQQS 40	7.09	8.48
IMTQQS 50	9.79	11.71
IMTQQS 60	9.32	10.16
IMTQQS 70	10.64	12.73
IMTQQS 75	15.54	16.94
IMTQQS 80	14.19	16.97
IMTQQS 100	18.64	20.32

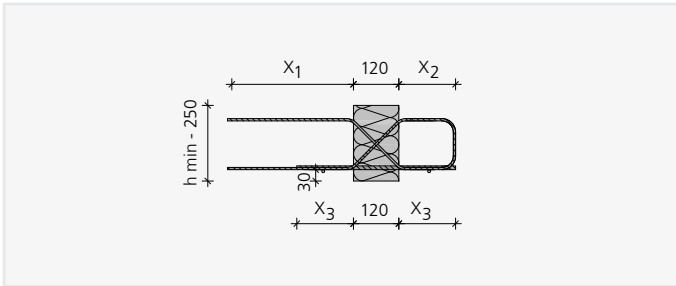
MAXIMUM PERMISSIBLE DISTANCE BETWEEN EXPANSION JOINTS

ISOMAXX®	IMTQQ 10 to 100 IMTQQS 5 to 30	IMTQQS 40, 50, 70, 80	IMTQQS 60, 75, 100
Distance between joints e [m]	21.7	19.8	17.0

UNIT STRUCTURE

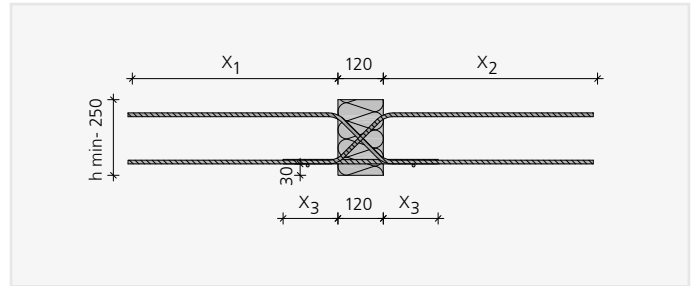
ISOMAXX® IMTQQ

SHEAR ROD Ø 6



ISOMAXX® IMTQQ, IMTQQS

SHEAR ROD ≥ Ø 8



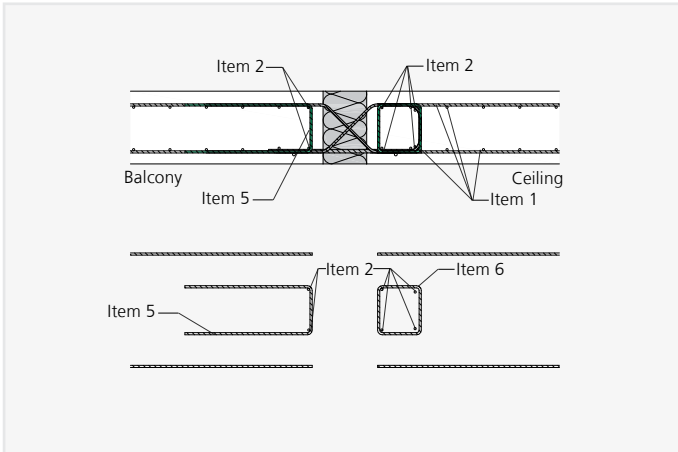
DIMENSIONS [MM]

Length shear rod [mm]	IMTQQ 10 – 50	IMTQQ 10 – 50	IMTQQ 60 IMTQQ 70 IMTQQS 5 IMTQQS 15	IMTQQ 80 – 100 IMTQQS 10, 20, 30	IMTQQS 40, 50, 70, 80	IMTQQS 60, 75, 100	IMTQQ 10 – 100 IMTQQS 5 – 30	IMTQQS 40 – 100
	Ø 6	Pressure rod Ø 10	Ø 8	Ø 10	Ø 12	Ø 14	Pressure rod Ø 10	Pressure rod Ø 14
X ₁	340	–	450	560	670	780	–	–
X ₂	150	–	≤ 490	≤ 600	≤ 705	≤ 815	–	–
X ₃	–	150	–	–	–	–	150	165
h _{min}	160	–	160	170	180	190	–	–

- The concrete covering of the shear rods at the bottom is generally 30 mm.
- The concrete covering of the shear rods at the top is cv35 to cv85 depending on the height and the rod diameter.

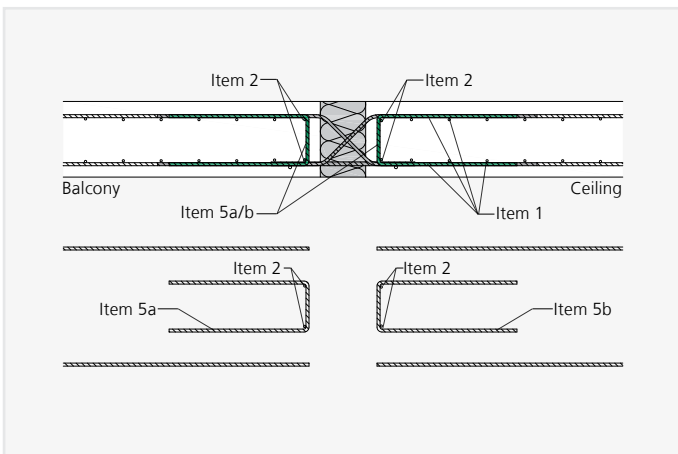
SUPPLEMENTARY REINFORCEMENT

ISOMAXX® IMTQQ 10 TO 50 WITH SHEAR ROD Ø 6 – LOOPED ON THE CEILING SIDE



- Item 1 slab reinforcement and edging in accordance with the structural engineer's specifications
- Item 2 spacing bar 2 Ø 8 on the balcony, 4 Ø 8 on the ceiling
- Item 4 structural edging at the free balcony edge in accordance with DIN EN 1992-1-1 min. Ø 6/250 respectively in accordance with the structural engineer's specifications (not shown here)
- Item 5 supplementary reinforcement – see table
- Item 6 stirrup (edge beam) Ø 6/200

ISOMAXX® IMTQQ 60 TO 100, IMTQQS 5 TO 100 – SHEAR ROD STRAIGHT ON CEILING SIDE



- Item 1 slab reinforcement and edging in accordance with the structural engineer's specifications
- Item 2 spacing bar 2 x 2 Ø 8 on the balcony and ceiling
- Item 4 structural edging at the free balcony edge in accordance with DIN EN 1992-1-1 min. Ø 6/250 respectively in accordance with the structural engineer's specifications (not shown here)
- Item 5a supplementary reinforcement balcony side
- Item 5b supplementary reinforcement with indirect support on the ceiling side – see table

NOTE

For indirect support, a supplementary reinforcement must be arranged on the ceiling side.

SUPPLEMENTARY REINFORCEMENT FOR CONCRETE \geq C25/30

ISOMAXX®	Supplementary reinforcement Item 5 $A_{s,erf}$ [cm ² /m]
IMTQQ 10	0.80
IMTQQ 20	1.00
IMTQQ 30	1.20
IMTQQ 40	1.60
IMTQQ 50	2.00
IMTQQ 60	2.13
IMTQQ 70	2.49
IMTQQ 80	2.78
IMTQQ 90	3.33
IMTQQ 100	3.89

ISOMAXX®	Supplementary reinforcement Item 5 $A_{s,erf}$ [cm ² /m]
IMTQQS 5	0.71
IMTQQS 10	1.10
IMTQQS 15	1.07
IMTQQS 20	1.66
IMTQQS 30	2.21
IMTQQS 40	1.60
IMTQQS 50	2.21
IMTQQS 60	1.93
IMTQQS 70	2.40
IMTQQS 75	3.22
IMTQQS 80	3.20
IMTQQS 100	3.86



ISOMAXX® IMTD

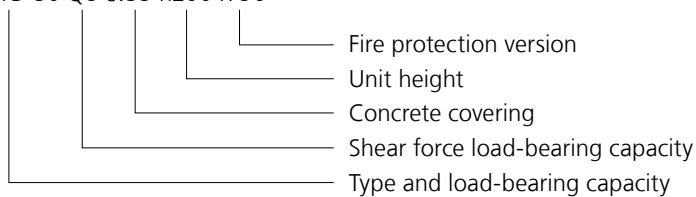
UNITS FOR CONTINUOUS SLABS

ISOMAXX® IMTD

- For transferring positive and negative moments and positive and negative shearing forces
- Tension and pressure plane with steel tension/pressure rods
- Load-bearing capacities IMTD 20 to IMTD 100
- Shearing force load-bearing capacities standard, Q8, Q10
- Concrete covering of tension rods cv35 or cv50
- Concrete covering of the pressure rods at the bottom 30 mm for cv35 and 50 mm for cv50
- Unit heights depending on the shearing force load-bearing capacity starting from $h_{\min} = 160$ mm
- Fire resistance class R 90 available

TYPE DESIGNATION

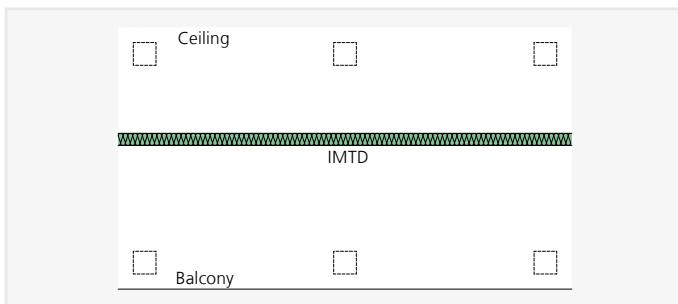
IMTD 50 Q8 cv35 h200 R 90



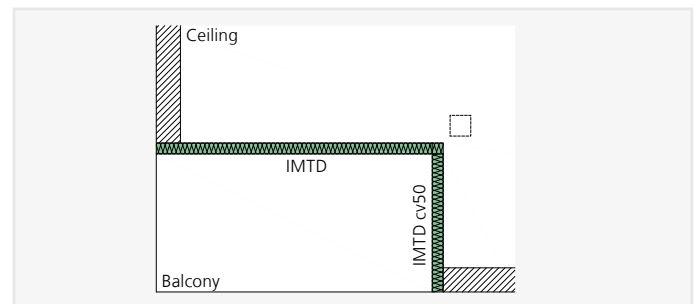
APPLICATION – UNIT ARRANGEMENT



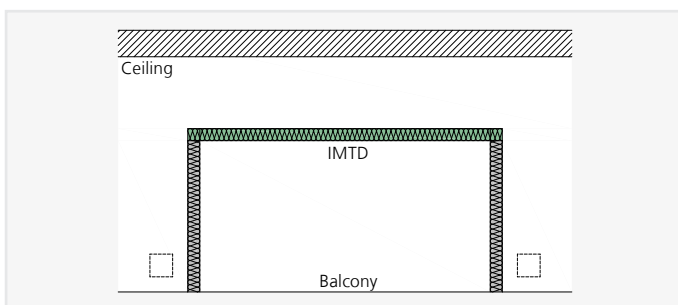
This chapter provides planning aids and specific information about this product. In addition, the general information on materials, design, building physics, installation on site, etc. on pages 10 – 25 has also to be considered.



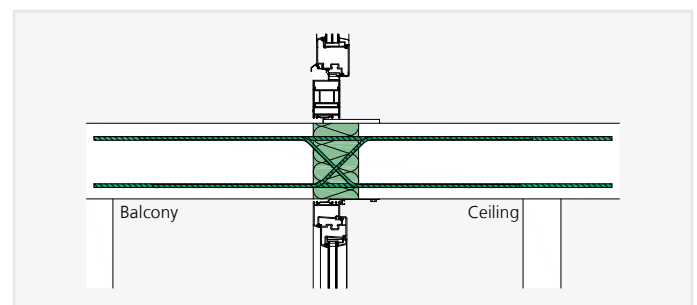
ISOMAXX® IMTD – Continuous slab with a glass façade



ISOMAXX® IMTD – Internal corner balcony with large dimensions and loads



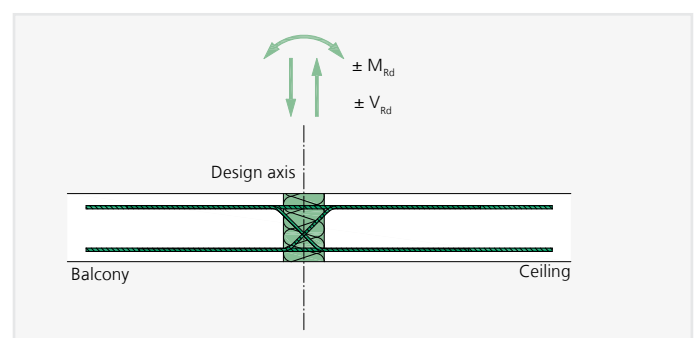
ISOMAXX® IMTD – Inset balcony with glass façade, without direct support



ISOMAXX® IMTD – Installation cross-section of glass façade

NOTE FOR DESIGN

- The gap between the balcony and the ceiling slab must be taken into account for the calculation in the FEM program
- With the ISOMAXX® IMTD units only bending moments perpendicular to the insulation joint can be transferred
- When calculating the resultant forces, the spring stiffness of the ISOMAXX® IMTD units must be iteratively included in the calculation. First, an assumption is made for the spring stiffness of the thermal insulation unit. A unit is then selected via the resulting static design values. In the next step, the definitive spring stiffness of the selected unit is included in the calculation. Possibly another iterative step is required to come to final solution.
- To transfer forces parallel and perpendicular to the joint, the IMTD units can be combined with ISOMAXX® IME units.



ISOMAXX® IMTD – Static system

DESIGN TABLE FOR CONCRETE \geq C25/30

DESIGN VALUES OF ALLOWABLE MOMENTS m_{Rd} [kNm/m]

Unit height [mm] depending on c_v [mm]		ISOMAXX®								
35	50	IMTD 20	IMTD 20 Q8	IMTD 20 Q10	IMTD 30	IMTD 30 Q8	IMTD 30 Q10	IMTD 50	IMTD 50 Q8	IMTD 50 Q10
160	–	± 12.4	± 10.7	–	± 20.2	± 18.5	–	± 27.6	± 26.0	–
–	200	± 13.1	± 11.4	–	± 21.4	± 19.7	–	± 29.3	± 27.6	–
170	–	± 13.8	± 12.0	± 9.9	± 22.6	± 20.8	± 18.8	± 30.9	± 29.1	± 27.1
–	210	± 14.6	± 12.6	± 10.5	± 23.8	± 21.9	± 19.8	± 32.6	± 30.7	± 28.6
180	–	± 15.3	± 13.3	± 11.0	± 25.0	± 23.0	± 20.8	± 34.3	± 32.3	± 30.0
–	220	± 16.0	± 13.9	± 11.5	± 26.2	± 24.1	± 21.8	± 35.9	± 33.8	± 31.5
190	–	± 16.8	± 14.5	± 12.0	± 27.4	± 25.2	± 22.8	± 37.6	± 35.4	± 33.0
–	230	± 17.5	± 15.1	± 12.6	± 28.7	± 26.4	± 23.8	± 39.3	± 37.0	± 34.4
200	–	± 18.2	± 15.8	± 13.1	± 29.9	± 27.5	± 24.8	± 40.9	± 38.5	± 35.9
–	240	± 18.9	± 16.4	± 13.6	± 31.1	± 28.6	± 25.8	± 42.6	± 40.1	± 37.3
210	–	± 19.7	± 17.0	± 14.1	± 32.3	± 29.7	± 26.9	± 44.2	± 41.7	± 38.8
–	250	± 20.4	± 17.7	± 14.7	± 33.5	± 30.8	± 27.9	± 45.9	± 43.2	± 40.3
220	–	± 21.1	± 18.3	± 15.2	± 34.7	± 31.9	± 28.9	± 47.6	± 44.8	± 41.7
230	–	± 22.6	± 19.6	± 16.2	± 37.2	± 34.2	± 30.9	± 50.9	± 47.9	± 44.6
240	–	± 24.0	± 20.8	± 17.3	± 39.6	± 36.4	± 32.9	± 54.2	± 51.1	± 47.5
250	–	± 25.5	± 22.1	± 18.3	± 42.0	± 38.6	± 34.9	± 57.6	± 54.2	± 50.5

DESIGN VALUES OF ALLOWABLE SHEARING FORCES v_{Rd} [kN/m]

ISOMAXX®	IMTD 20	IMTD 20 Q8	IMTD 20 Q10	IMTD 30	IMTD 30 Q8	IMTD 30 Q10	IMTD 50	IMTD 50 Q8	IMTD 50 Q10
Shearing force v_{Rd} [kN/m]	± 53.0	± 92.0	± 135.0	± 53.0	± 92.0	± 135.0	± 53.0	± 92.0	± 135.0

DIMENSIONS AND ASSIGNMENT

ISOMAXX®	IMTD 20	IMTD 20 Q8	IMTD 20 Q10	IMTD 30	IMTD 30 Q8	IMTD 30 Q10	IMTD 50	IMTD 50 Q8	IMTD 50 Q10
Unit length [mm]	500 + 500								
Tension / pressure rods	6 Ø 10			6 Ø 12			8 Ø 12		
Shear rods	2 x 4 Ø 8	2 x 6 Ø 8	2 x 6 Ø 10	2 x 4 Ø 8	2 x 6 Ø 8	2 x 6 Ø 10	2 x 4 Ø 8	2 x 6 Ø 8	2 x 6 Ø 10

DESIGN TABLE FOR CONCRETE \geq C25/30

DESIGN VALUES OF ALLOWABLE MOMENTS m_{Rd} [kNm/m]

Unit height [mm] depending on c_v [mm]		ISOMAXX®								
35	50	IMTD 70	IMTD 70 Q8	IMTD 70 Q10	IMTD 90	IMTD 90 Q8	IMTD 90 Q10	IMTD 100	IMTD 100 Q8	IMTD 100 Q10
160	–	± 35.1	± 33.4	–	± 42.5	± 40.9	–	± 45.7	–	–
–	200	± 37.2	± 35.5	–	± 45.1	± 43.4	–	± 48.6	–	–
170	–	± 39.3	± 37.5	± 35.5	± 47.6	± 45.8	± 43.8	± 51.4	± 49.4	–
–	210	± 41.4	± 39.5	± 37.4	± 50.2	± 48.3	± 46.2	± 54.2	± 52.2	–
180	–	± 43.5	± 41.5	± 39.3	± 52.8	± 50.8	± 48.5	± 57.0	± 54.9	± 52.6
–	220	± 45.6	± 43.5	± 41.2	± 55.3	± 53.2	± 50.9	± 59.9	± 57.6	± 55.2
190	–	± 47.7	± 45.5	± 43.1	± 57.9	± 55.7	± 53.3	± 62.7	± 60.3	± 57.8
–	230	± 49.9	± 47.6	± 45.0	± 60.5	± 58.2	± 55.6	± 65.5	± 63.0	± 60.4
200	–	± 52.0	± 49.6	± 46.9	± 63.0	± 60.6	± 58.0	± 68.3	± 65.7	± 63.0
–	240	± 54.1	± 51.6	± 48.8	± 65.6	± 63.1	± 60.3	± 71.2	± 68.5	± 65.6
210	–	± 56.2	± 53.6	± 50.7	± 68.1	± 65.5	± 62.7	± 74.0	± 71.2	± 68.2
–	250	± 58.3	± 55.6	± 52.6	± 70.7	± 68.0	± 65.0	± 76.8	± 73.9	± 70.8
220	–	± 60.4	± 57.6	± 54.6	± 73.3	± 70.5	± 67.4	± 79.6	± 76.6	± 73.4
230	–	± 64.6	± 61.7	± 58.4	± 78.4	± 75.4	± 72.1	± 85.3	± 82.0	± 78.6
240	–	± 68.9	± 65.7	± 62.2	± 83.5	± 80.3	± 76.8	± 90.9	± 87.5	± 83.8
250	–	± 73.1	± 69.7	± 66.0	± 88.6	± 85.3	± 81.5	± 96.6	± 92.9	± 89.1

DESIGN VALUES OF ALLOWABLE SHEARING FORCES v_{Rd} [kN/m]

ISOMAXX®	IMTD 70	IMTD 70 Q8	IMTD 70 Q10	IMTD 90	IMTD 90 Q8	IMTD 90 Q10	IMTD 100	IMTD 100 Q8	IMTD 100 Q10
Shearing force v_{Rd} [kN/m]	± 53.0	± 92.0	± 135.0	± 53.0	± 92.0	± 135.0	± 92.0	± 135.0	± 180.0

DIMENSIONS AND ASSIGNMENT

ISOMAXX®	IMTD 70	IMTD 70 Q8	IMTD 70 Q10	IMTD 90	IMTD 90 Q8	IMTD 90 Q10	IMTD 100	IMTD 100 Q8	IMTD 100 Q10
Unit length [mm]	500 + 500								
Tension / pressure rods	10 Ø 12			12 Ø 12			12 Ø 14		
Shear rods	2 x 4 Ø 8	2 x 6 Ø 8	2 x 6 Ø 10	2 x 4 Ø 8	2 x 6 Ø 8	2 x 6 Ø 10	2 x 6 Ø 8	2 x 6 Ø 10	2 x 6 Ø 12

DISTANCE BETWEEN EXPANSION JOINTS – UNIT STRUCTURE

DISTANCE BETWEEN EXPANSION JOINTS

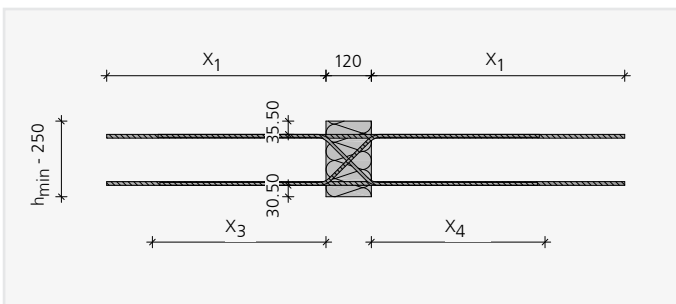
If the component dimensions exceed the maximum permissible distance between expansion joints, expansion joints must be arranged perpendicular to the insulation plane. The maximum permissible distance between expansion joints e is dependent on the maximum rod diameter guided across the expansion joint and is thus type-dependent.

The use of fixed points such as corner supports or the use of ISOMAXX® IMH or IME units results in increased constraints, which means the maximum permissible distance between expansion joints must be reduced to $e/2$. Half of the maximum distance between expansion joints is always measured from the fixed point

MAXIMUM PERMISSIBLE DISTANCE BETWEEN EXPANSION JOINTS

ISOMAXX®	IMTD 20	IMTD 30 bis IMTD 90	IMTD 100
Distance between joints e [m]	21.7	19.8	17.0

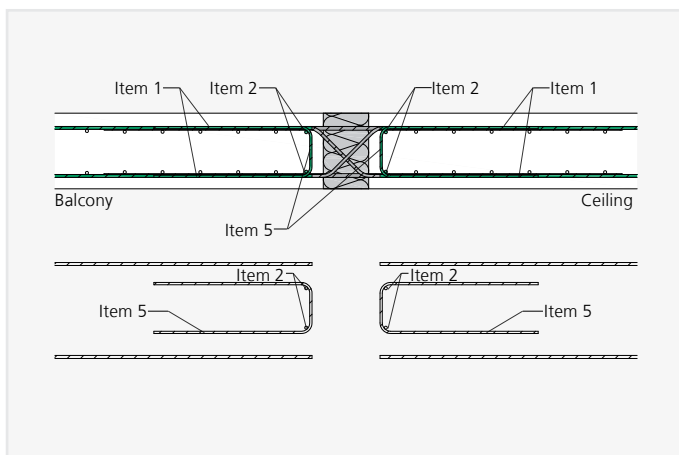
ELEMENTAUFBAU ISOMAXX® IMTD



Length tension rod / Length pressure rod [mm]	IMTD 20	IMTD 30	IMTD 50	IMTD 70	IMTD 90	IMTD 100
X_1	720	840	840	840	840	960
Length shear rod [mm]	IMTD 20 bis IMTD 90 Shear force load-bearing capacity			IMTD 100 Shear force load-bearing capacity		
	Standard	Q8	Q10	Standard	Q8	Q10
X_3	450	450	560	450	560	670
X_4	≤ 490	≤ 490	≤ 600	≤ 490	≤ 600	≤ 705
h_{min}	160	160	170	160	170	180

SUPPLEMENTARY REINFORCEMENT

ISOMAXX® IMTD



- Item 1 connection reinforcement for the ISOMAXX® unit – for negative moments at the top, for positive moments at the bottom – see table below
- Item 2 spacing bar 2 x 2 Ø 8 on balcony and ceiling side
- Item 4 structural edging at the free balcony edge in accordance with DIN EN 1992-1-1 min. Ø 6/250 respectively in accordance with the structural engineer's specifications (not shown here)
- Item 5 supplementary reinforcement on balcony and ceiling side – see table

SUPPLEMENTARY REINFORCEMENT ITEM 1

ISOMAXX®	IMTD 20	IMTD 30	IMTD 50	IMTD 70	IMTD 90	IMTD 100
$a_{s,erf}$ [cm ² /m]	4.71	6.79	9.05	11.31	13.57	18.47
Suggestion	6 Ø 10	6 Ø 12	8 Ø 12	10 Ø 12	12 Ø 12	12 Ø 14

SUPPLEMENTARY REINFORCEMENT ITEM 5

ISOMAXX®	IMTD 20 bis IMTD 90			IMTD 100		
	Standard	Q8	Q10	Standard	Q8	Q10
$a_{s,erf}$ [cm ² /m]	1.21	2.13	3.10	2.13	3.10	4.14
Suggestion	Ø 6/200	Ø 8/200	Ø 10/200	Ø 8/200	Ø 10/200	Ø 10/150



ISOMAXX® IMH

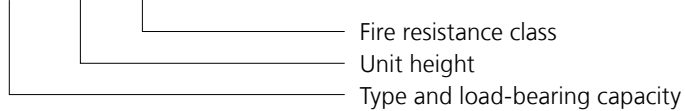
UNITS FOR PLANNED
HORIZONTAL LOADS

ISOMAXX® IMH

- Load-bearing capacities IMH 1, IMH 2 and IMH 3
- ISOMAXX® IMH 1 for transferring horizontal forces parallel to the insulating joint
- ISOMAXX® IMH 2 for transferring horizontal forces perpendicular to the insulating joint
- ISOMAXX® IMH 3 for transferring horizontal forces parallel and perpendicular to the insulating joint
- Clearly defined concrete covering, see product details
- Unit heights starting from $h_{\min} = 160$ mm
- Fire resistance class REI 120 available

TYPE DESIGNATION

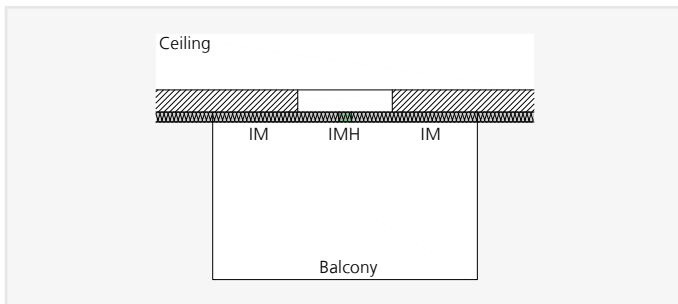
IMH 2 h200 REI 120



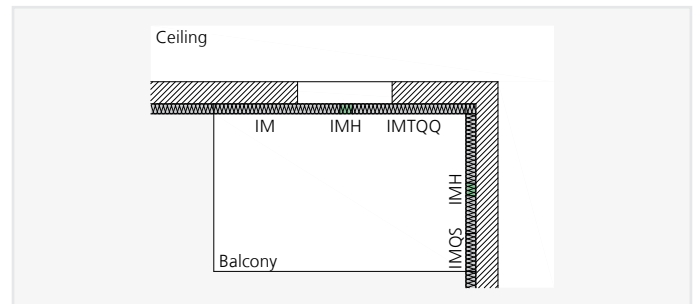
APPLICATION – UNIT ARRANGEMENT



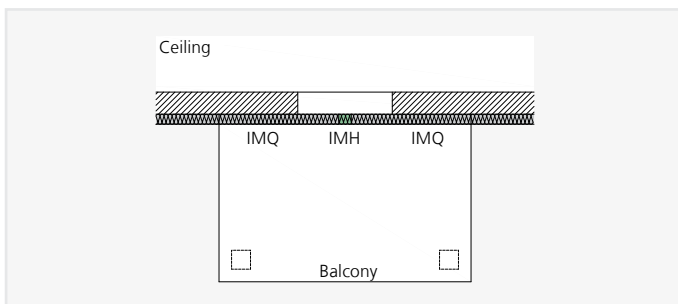
This chapter provides planning aids and specific information about this product. In addition, the general information on materials, design, building physics, installation on site, etc. on pages 10 – 25 has also to be considered.



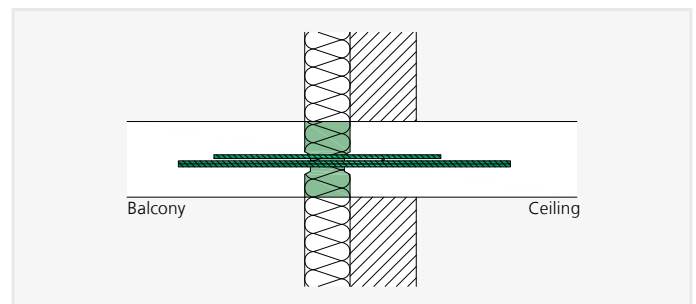
ISOMAXX® IMH – Cantilevered balcony with planned horizontal loads



ISOMAXX® IMH – Supported internal corner balcony with planned horizontal loads



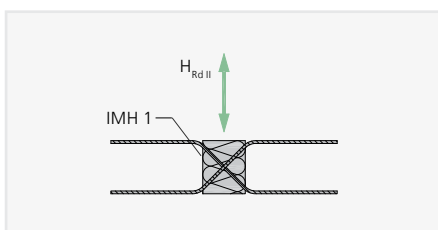
ISOMAXX® IMH – Balcony on hinged supports with IMH structural units



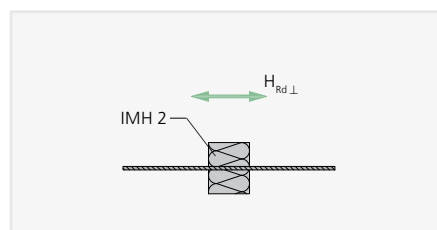
ISOMAXX® IMH 3 – Installation cross-section of thermal insulation composite system

DESIGN VALUES OF ALLOWABLE HORIZONTAL LOADS H_{Rd} [kN] FOR CONCRETE \geq C25/30

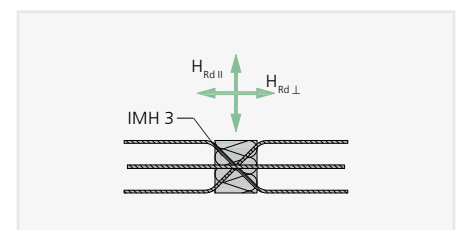
ISOMAXX®	IMH 1	IMH 2	IMH 3
Horizontal force, parallel $H_{Rd \parallel}$ [kN]	± 8.6	–	± 8.6
Horizontal force, vertical $H_{Rd \perp}$ [kN]	–	± 20.9	± 20.9



IMH 1



IMH 2



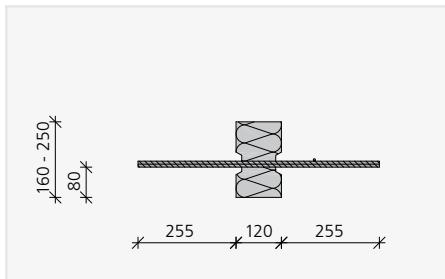
IMH 3

DESIGN

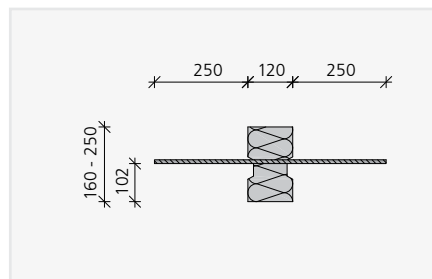
NOTES ON DESIGN:

- The quantity and position of the ISOMAXX® IMH units are in accordance with the structural engineer's specifications.
- When using ISOMAXX® IMH units, it must be ensured that the length and therefore also the load-bearing capacity of the linear connection is reduced by the proportion of the IMH units used.
- By using ISOMAXX® IMH units fixed points are created. This must be taken into account when selecting the maximum distance between expansion joints.
- The steel rods of the ISOMAXX® IMH units are anchored on both sides of the insulaton joint. Therefore there is no connection reinforcement required.

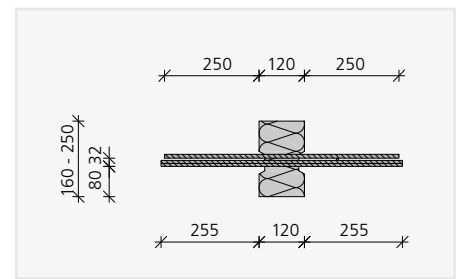
UNIT STRUCTURE ISOMAXX® IMH



IMH 1



IMH 2



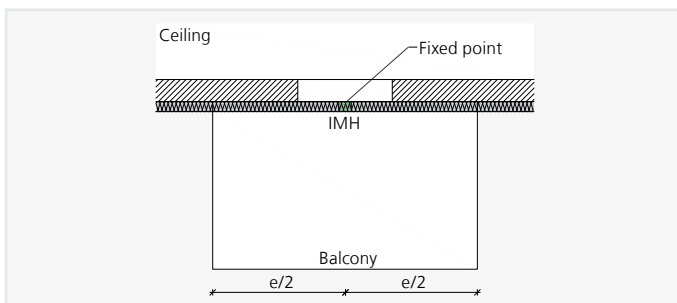
IMH 3

UNIT LENGTH AND ASSIGNMENT

ISOMAXX®	IMH 1	IMH 2	IMH 3
Unit length [mm]		150	
Shear rods	2 x 1 Ø 8	–	2 x 1 Ø 8
Tension / pressure rods	–	1 Ø 10	1 Ø 10

DISTANCE BETWEEN EXPANSION JOINTS

By using ISOMAXX® IMH units, a fixed point is created, resulting in increased constraints. The maximum permissible distance between expansion joints is therefore reduced to $e/2$ when ISOMAXX® IMH units are used. Half of the maximum distance between expansion joints is always measured from the fixed point.







ISOMAXX® IME

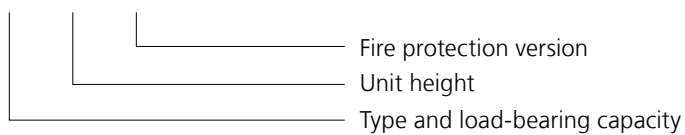
UNITS FOR EARTHQUAKE LOADS

ISOMAXX® IME

- For cantilevered, continuous or supported slabs as a supplement to the units with moments and/or shearing force load-bearing capacities
- For transferring horizontal forces parallel and perpendicular to the insulating joint and lifting (positive) moments in connection with an ISOMAXX® IM unit
- Load-bearing capacities IME 1 and IME 2
- Clearly defined concrete covering, see design table
- Unit heights starting from $h_{\min} = 160$ mm
- Fire resistance class REI 120 available

TYPE DESIGNATION

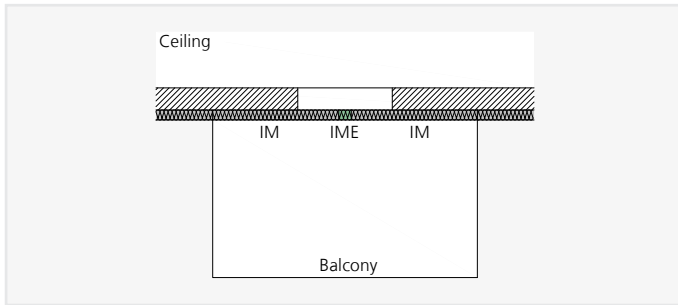
IME 2 h200 REI 120



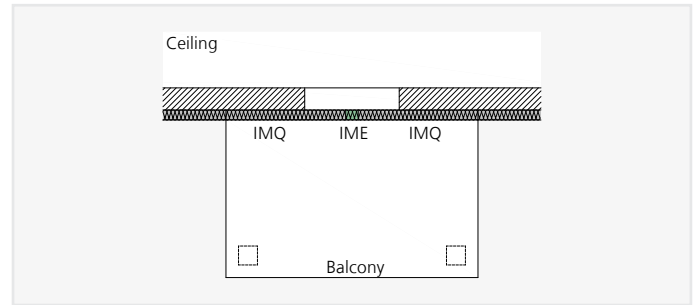
APPLICATION – UNIT ARRANGEMENT



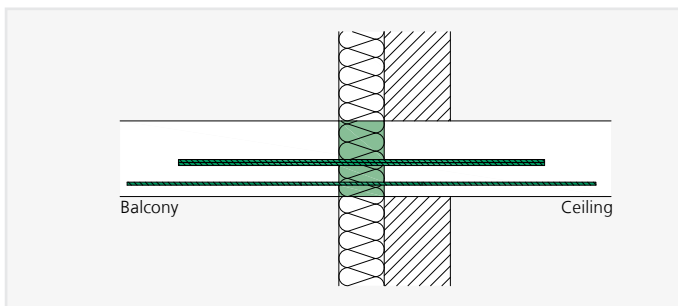
This chapter provides planning aids and specific information about this product. In addition, the general information on materials, design, building physics, installation on site, etc. on pages 10 – 25 has also to be considered.



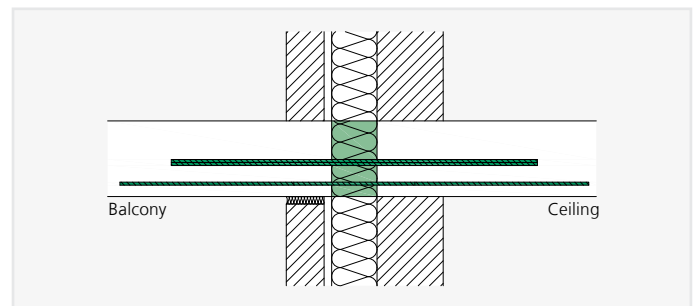
ISOMAXX® IME – Cantilevered balcony with lifting moments



ISOMAXX® IME – Supported balcony with high horizontal forces

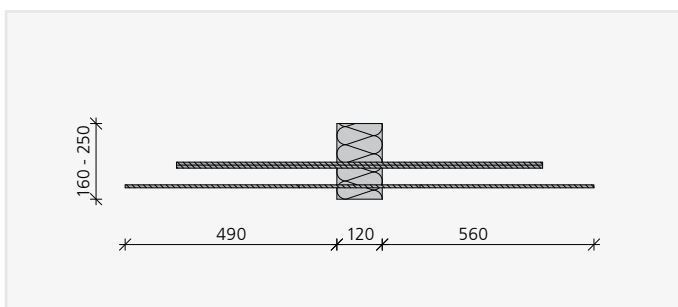


ISOMAXX® IME – Installation cross-section of thermal insulation composite system

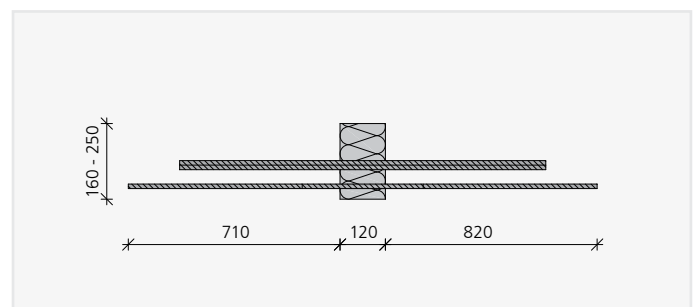


ISOMAXX® IME – Installation cross-section of two-leaf masonry

UNIT STRUCTURE



ISOMAXX® IME 1

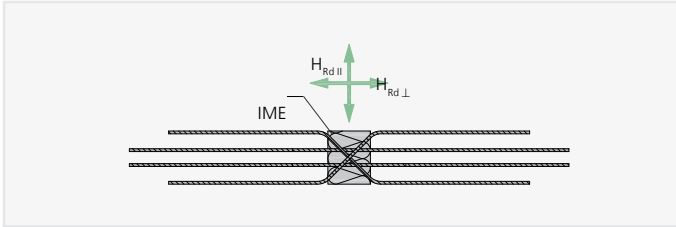


ISOMAXX® IME 2

DIMENSIONS AND ASSIGNMENT

ISOMAXX®	IME 1	IME 2
Unit length [mm]	150	
Shear rods	2 x 1 Ø 8	2 x 1 Ø 12
Tension rods	2 Ø 8	2 Ø 12

DESIGN TABLE FOR CONCRETE \geq C25/30



DESIGN VALUES OF ALLOWABLE HORIZONTAL FORCES H_{Rd} [kN]

ISOMAXX®	IME 1	IME 2
Horizontal load, parallel $H_{Rd II}$ [kN]	± 15.4	± 34.7
Horizontal load, vertical $H_{Rd \perp}$ [kN] für $M_{Rd} = 0$	± 40.6	± 97.2

DESIGN VALUES OF ALLOWABLE LIFTING MOMENTS m_{Rd} [kNm]

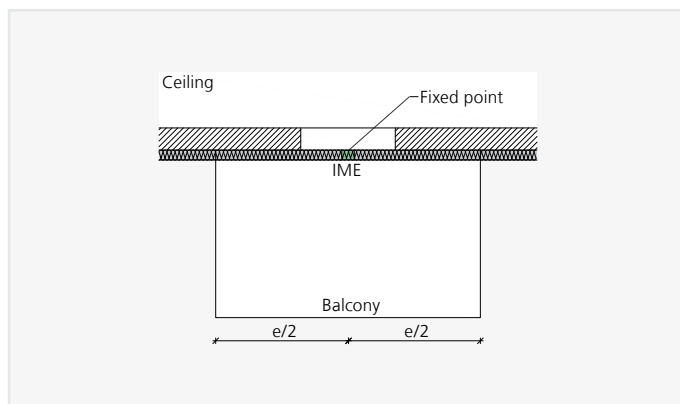
Unit height [mm] depending on cv [mm]		ISOMAXX®	
35	50	IME 1	IME 2
160	–	3.7	8.2
–	180	3.9	8.7
170	–	4.1	9.1
–	190	4.4	9.6
180	–	4.6	10.1
–	200	4.8	10.6
190	–	5.0	11.1
–	210	5.2	11.6
200	–	5.5	12.1
–	220	5.7	12.6
210	–	5.9	13.1
–	230	6.1	13.6
220	–	6.3	14.1
–	240	6.5	14.6
230	–	6.8	15.0
–	250	7.0	15.5
240	–	7.2	16.0
250	–	7.6	17.0

DESIGN – DISTANCE BETWEEN EXPANSION JOINTS

NOTES ON DESIGN:

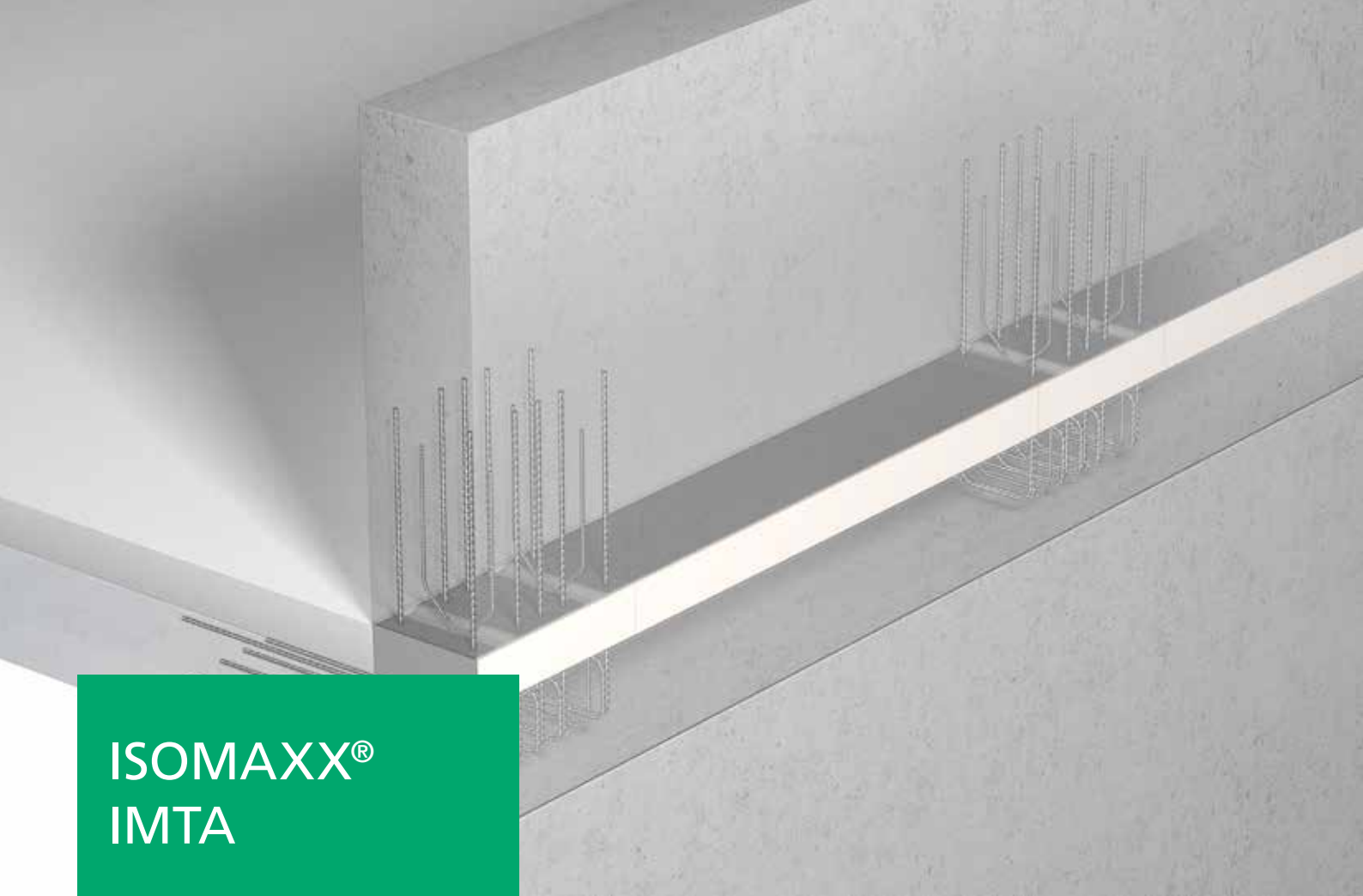
- Moments can only be transferred in connection with adjoining ISOMAXX® IM units.
- To transfer the positive moments indicated in the table, the tension rods of the ISOMAXX® IM units adjacent to the ISOMAXX® IME are activated as pressure rods. To ensure this, at least the following adjacent units are recommended:
When using IME 1 at least ISOMAXX® IM 40, when using IME 2 at least ISOMAXX® IM 55.
- For the design, either $H_{Rd\perp}$ or M_{Rd} can be applied. This means that either a tensile force or a moment can be transferred with the unit; not both at the same time.
- The quantity and position of the ISOMAXX® IME units are in accordance with the structural engineer's specifications.
- When using ISOMAXX® IME units, ensure that the load-bearing capacity of the linear connection is reduced by the proportion of the length of the IME units in relation to the total connection length.
- The use of ISOMAXX® IPE elements creates fixed points, the maximum permissible distance between expansion joints must be taken into account.
- The tension rods at the bottom are to be overlapped with rods of the same diameter. The shear rods are anchored and require no further connection reinforcement.

DISTANCE BETWEEN EXPANSION JOINTS



If the component dimensions exceed the maximum permissible distance between expansion joints, expansion joints must be arranged perpendicular to the insulation plane. The maximum permissible distance between expansion joints e is dependent on the maximum rod diameter across the expansion joint and is thus type-dependent. The maximum permissible distance between expansion joints for the ISOMAXX® units is specified in the respective individual sections.

By using ISOMAXX® IME units, a fixed point is created, resulting in increased constraints. The maximum permissible distance between expansion joints is therefore reduced to $e/2$ when ISOMAXX® IME units are used. Half of the maximum distance between expansion joints is always measured from the fixed point.



ISOMAXX® IMTA

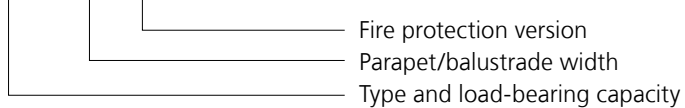
UNITS FOR PARAPETS AND BALUSTRADES

ISOMAXX® IMTA

- For transferring normal forces, positive and negative moments and horizontal forces
- Load-bearing capacity IMTA 1 and IMTA 2
- Unit length 350 mm
- Parapet/balustrade width 150 to 250 mm
- Concrete covering varies depending on parapet thickness – see unit structure
- Ceiling thickness ≥ 160 mm
- Fire resistance class R 90 available

TYPE DESIGNATION

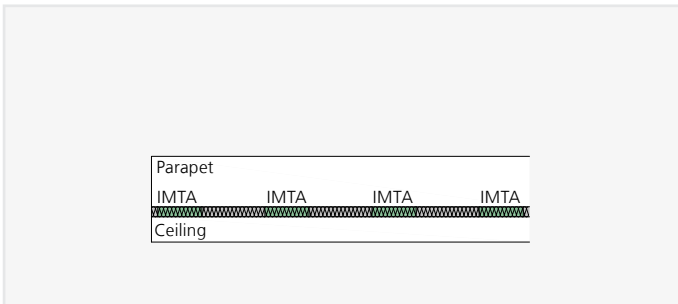
IMTA 1 b200 R 90



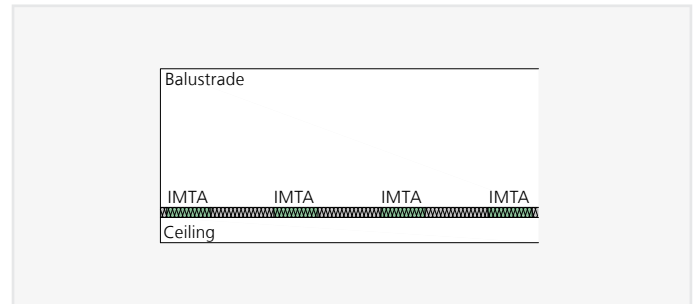
APPLICATION – UNIT ARRANGEMENT



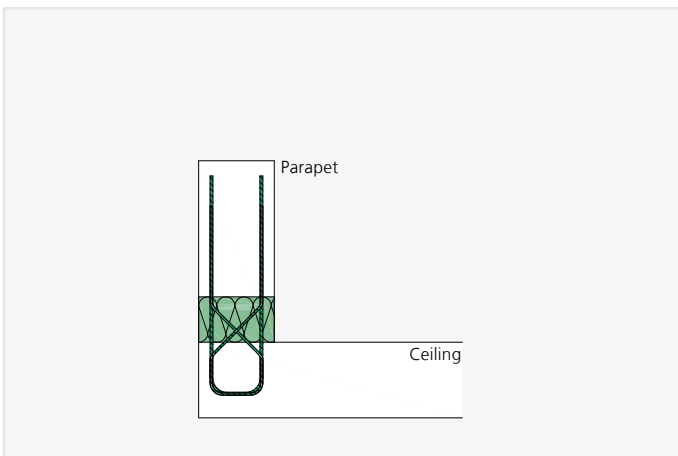
This chapter provides planning aids and specific information about this product. In addition, the general information on materials, design, building physics, installation on site, etc. on pages 10 – 25 has also to be considered.



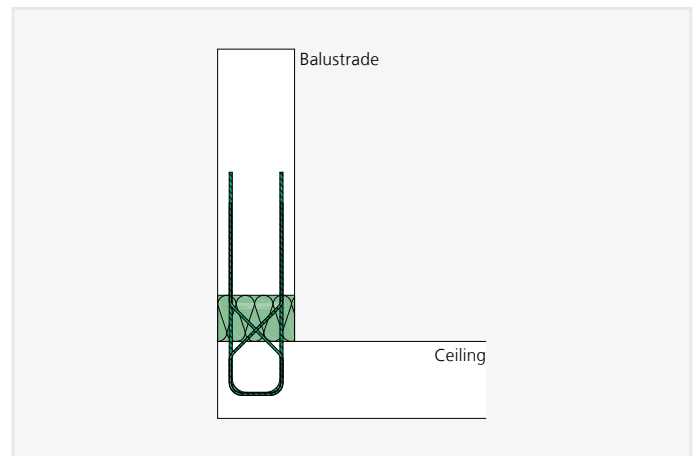
ISOMAXX® IMTA – View of parapet connected to the horizontal face



ISOMAXX® IMTA – View of balustrade connected to the horizontal face

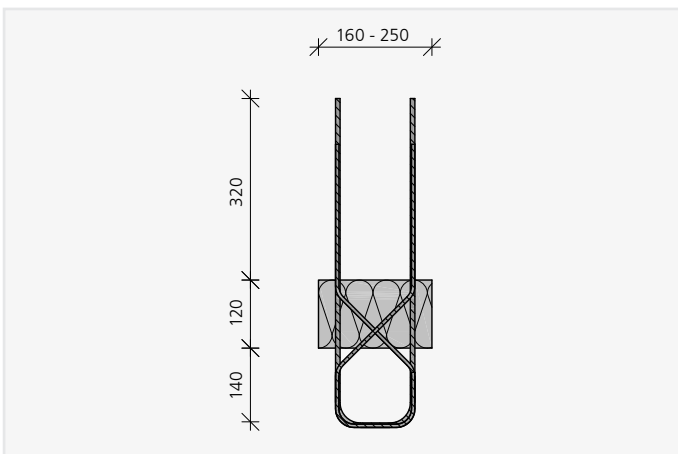


ISOMAXX® IMTA – Installation cross-section of parapet

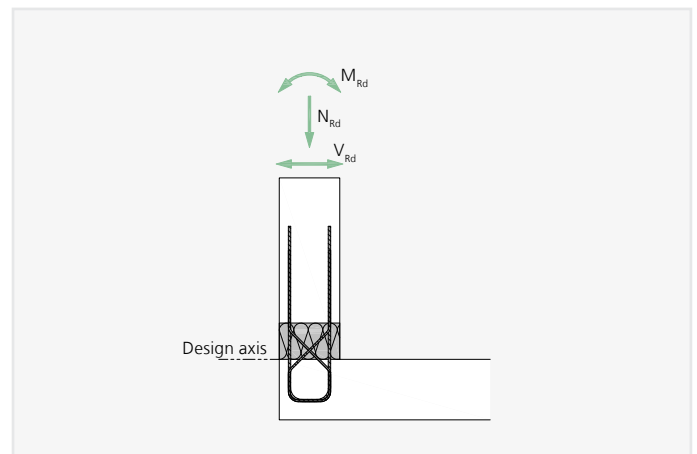


ISOMAXX® IMTA – Installation cross-section of balustrade connected to the horizontal face

UNIT STRUCTURE



SIGN REGULATION/STATIC SYSTEM



DESIGN

DESIGN TABLE IMTA 1 FOR CONCRETE \geq C25/30

ISOMAXX®		IMTA 1 – b < 200 mm	IMTA 1 – b \geq 200 mm
Moment M_{Rd} [kNm]	$N_{Ed} = 0$ kN	± 1.75	± 2.5
	$N_{Ed} > 0$ kN	$\pm(1.75 - N_{Ed}/2 \cdot 0.092)$	$\pm(2.5 - N_{Ed}/2 \cdot 0.132)$
Normal force N_{Rd} [kN]	$M_{Ed} = 0$ kNm	38.0	38.0
	$M_{Ed} \neq 0$ kNm	$38.0 - M_{Ed} /0.092 \cdot 2$	$38.0 - M_{Ed} /0.132 \cdot 2$
Horizontal force V_{Rd} [kN]		± 12.0	± 12.0

DESIGN TABLE IMTA 2 FOR CONCRETE \geq C25/30

ISOMAXX®		IMTA 2 – b < 200 mm	IMTA 2 – b \geq 200 mm
Moment M_{Rd} [kNm]	$N_{Ed} = 0$ kN	± 4.4	± 6.3
	$N_{Ed} > 0$ kN	$\pm(4.4 - N_{Ed}/2 \cdot 0.092)$	$\pm(6.3 - N_{Ed}/2 \cdot 0.132)$
Normal force N_{Rd} [kN]	$M_{Ed} = 0$ kNm	95.0	95.0
	$M_{Ed} \neq 0$ kNm	$95.0 - M_{Ed} /0.092 \cdot 2$	$95.0 - M_{Ed} /0.132 \cdot 2$
Horizontal force V_{Rd} [kN]		± 12.0	± 12.0

NOTES ON DESIGN

- As normal force only compressive force can be transferred.
- The normal force N_{Rd} indicated in the table corresponds to the maximum transmissible compressive force depending on the type and concrete quality.

CONCRETE COVERING

Width of parapet / balustrade b [mm]	Concrete covering c_v [mm]
150	25
160	30
170	35
180	40
190	45
200	30
210	35
220	40
230	45
240	50
250	55

DIMENSIONS AND ASSIGNMENT

ISOMAXX®	IMTA 1	IMTA 2
Unit length [mm]	350	
Width of parapet/balustr. b	150 - 250	
Tension / pressure rods	2 \varnothing 8	5 \varnothing 8
Horizontal force rods	2 x 2 \varnothing 6	2 x 2 \varnothing 6

Our Applications Technology department would be pleased to assist in finding further solutions.

Phone: +49 (0) 7742 9215-300

Fax: +49 (0) 7742 9215-319

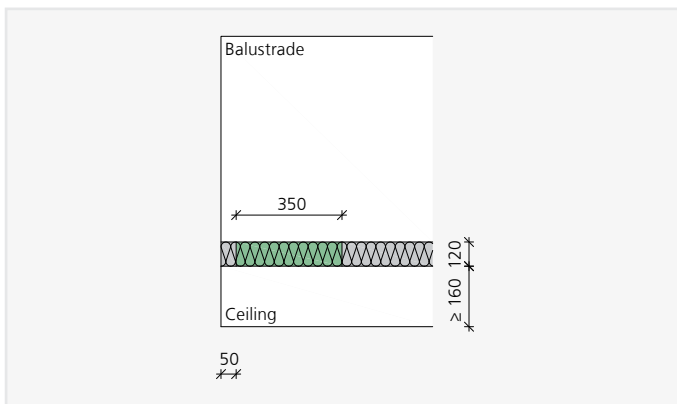
E-mail: technik@h-bau.de

EXPANSION JOINTS – SUPPLEMENTARY REINFORCEMENT

MAXIMUM PERMISSIBLE DISTANCE BETWEEN EXPANSION JOINTS

ISOMAXX®	IMTA 1 and IMTA 2
Distance between joints e [m]	21.7

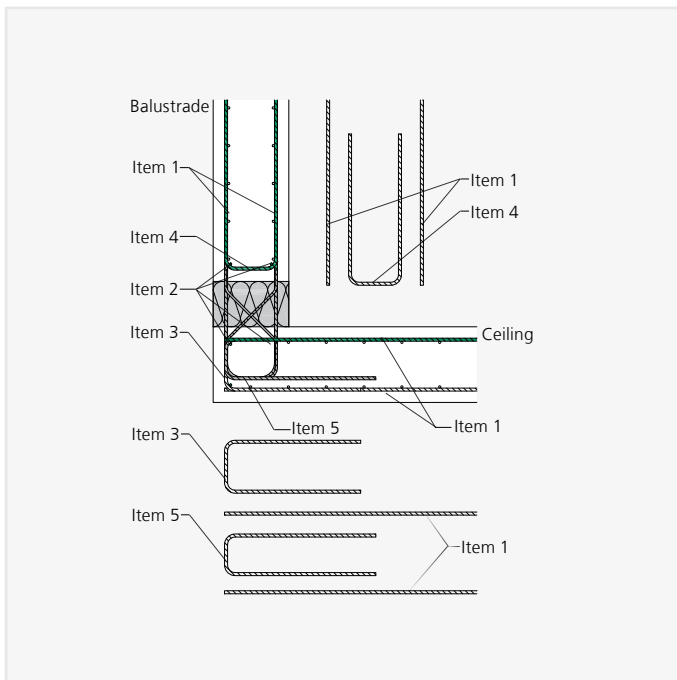
DISTANCE FROM THE EDGE



The following distances must be maintained around the edges of ceilings or balustrades and around expansion joints

- Distance from the edge is not required around balustrades.
- A 50 mm distance from the edge must be maintained around ceilings.

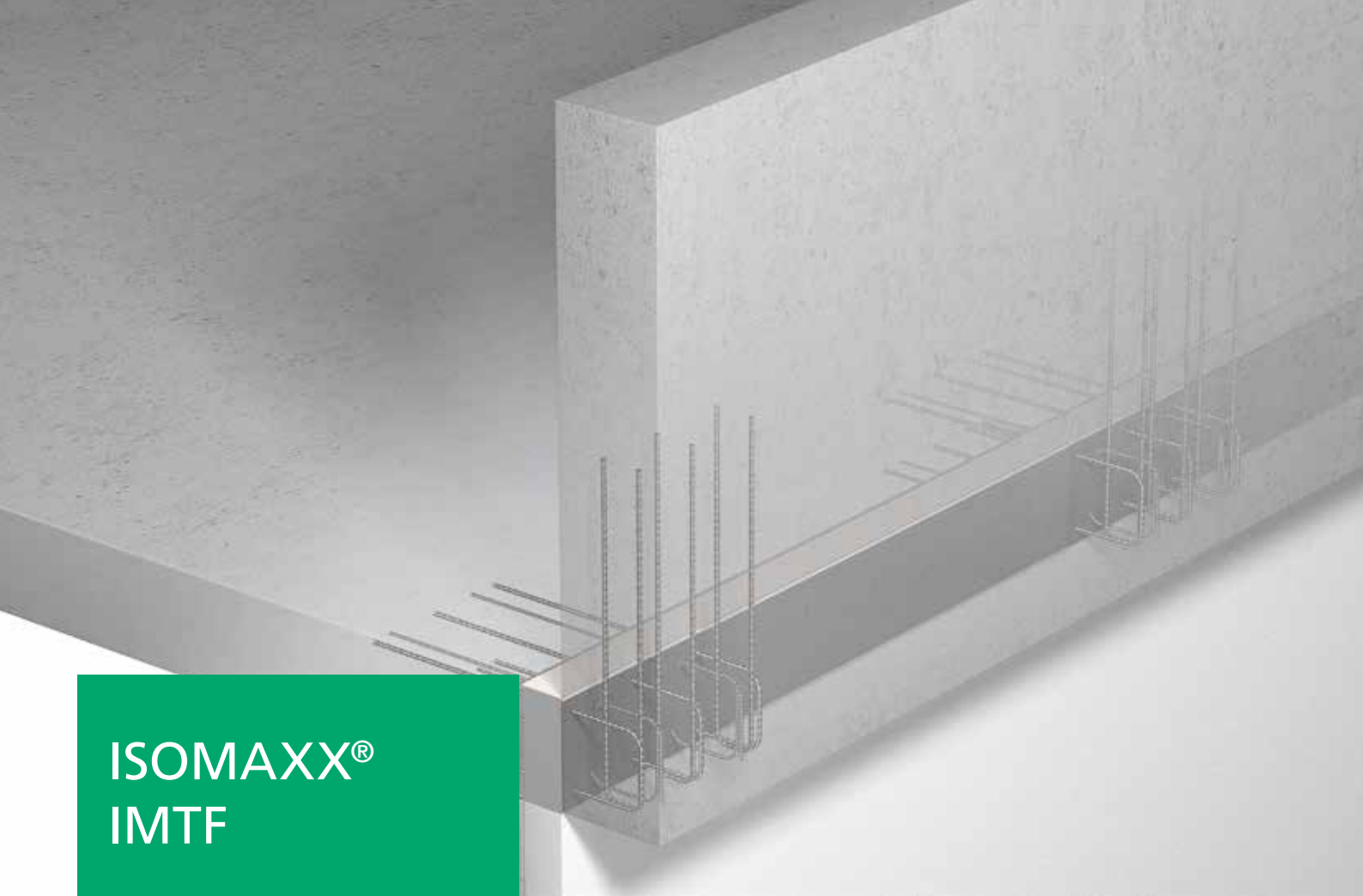
SUPPLEMENTARY REINFORCEMENT IMTA 1 AND IMTA 2



- Item 1 connection reinforcement for the ISOMAXX® unit in the balustrade and in the ceiling – see table
- Item 2 spacing bar 2 x 2 Ø 8 on balustrade and ceiling side
- Item 3 structural edging in accordance with DIN EN 1992-1-1 min. Ø 6/250 respectively in accordance with the structural engineer's specifications
- Item 4 supplementary reinforcement for the ISOMAXX® unit in the balustrade – see table
- Item 5 connecting stirrup supplied ex works
- For ISOMAXX® IMTA units with widths of 150, 160 and 200 mm, the supplementary reinforcement of the parapet/balustrade must be arranged within the unit reinforcement, as this has a concrete covering of $c_v < 35$ mm.

CONNECTION AND SUPPLEMENTARY REINFORCEMENT

ISOMAXX®	Suppl. reinforcement Item 4	Connection reinforcement Item 1	
	IMTA 1 and IMTA 2	IMTA 1	IMTA 2
$a_{s,erf}$ [cm ² /m]	0.30	0.50	1.10
Suggestion	Ø 6/250	2 Ø 8	4 Ø 8



ISOMAXX® IMTF

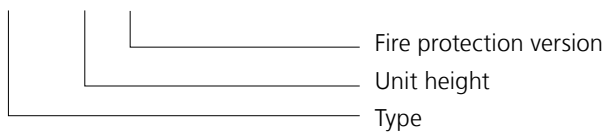
UNITS FOR BALUSTRADES CONNECTED TO THE VERTICAL FACE

ISOMAXX® IMTF

- For transferring positive and negative shearing forces, positive and negative moments and horizontal forces
- Unit length 350 mm
- Unit heights 160 to 250 mm
- Concrete covering depending on the unit height – see unit structure
- Balustrade width ≥ 150 mm
- Fire resistance class R 90 available

TYPE DESIGNATION

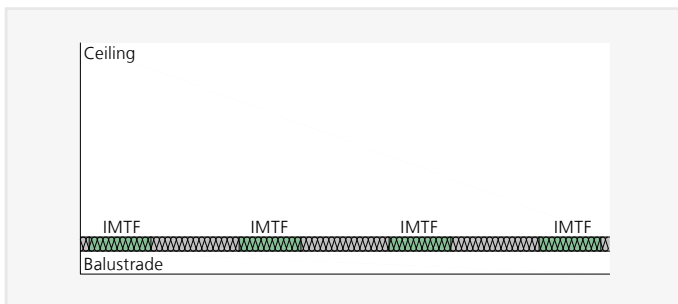
IMTF h200 R 90



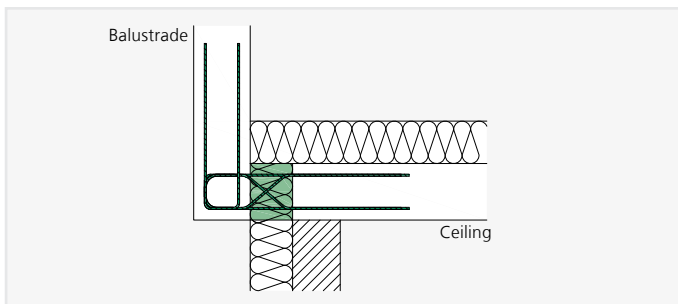
APPLICATION – UNIT ARRANGEMENT



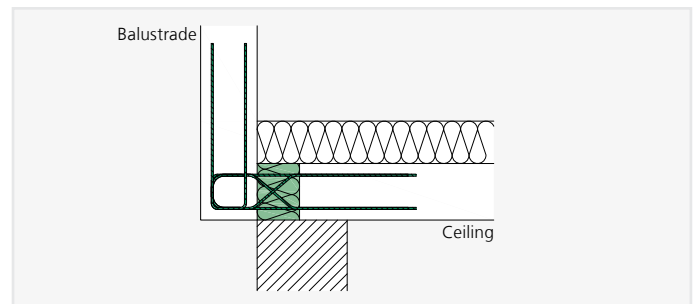
This chapter provides planning aids and specific information about this product. In addition, the general information on materials, design, building physics, installation on site, etc. on pages 10 – 25 has also to be considered.



ISOMAXX® IMTF – Plan view of balustrade connected to the vertical face



ISOMAXX® IMTF – Installation cross-section of a balustrade connected to the vertical face with a thermal insulation composite system

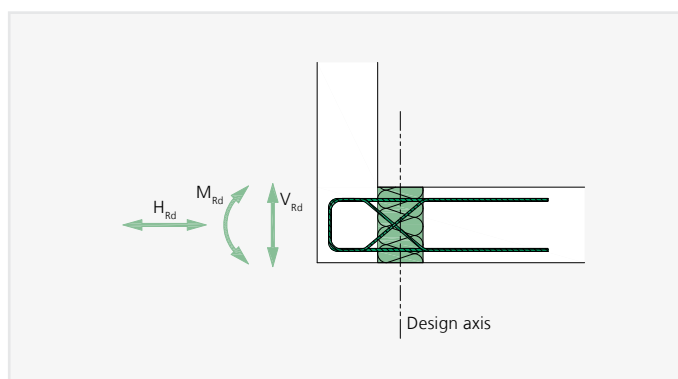


ISOMAXX® IMTF – Installation cross-section of a balustrade connected to the vertical face with thermally insulating masonry

DESIGN TABLE FOR CONCRETE \geq C25/30

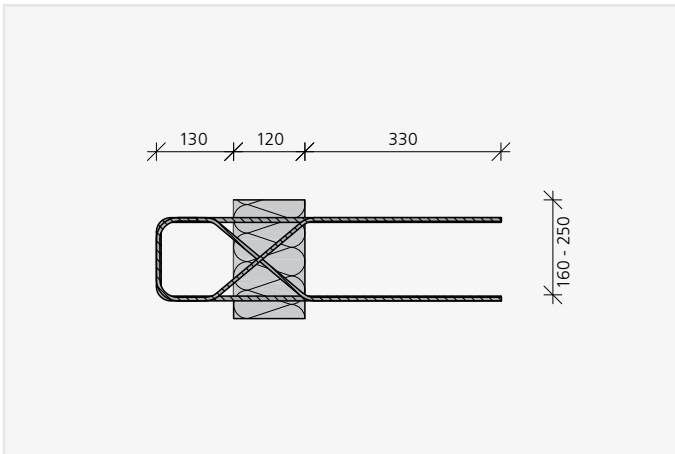
ISOMAXX®	IMTF $h < 200$ mm	IMTF $h \geq 200$ mm
Moment M_{Rd} [kNm]	± 2.1	± 3.0
Horizontal force N_{Rd} [kN]	± 3.5	± 3.5
Shear force V_{Rd} [kN]	± 12.0	± 12.0

SIGN REGULATION/STATIC SYSTEM



UNIT STRUCTURE – DISTANCE BETWEEN EXPANSION JOINTS

ISOMAXX® IMTF



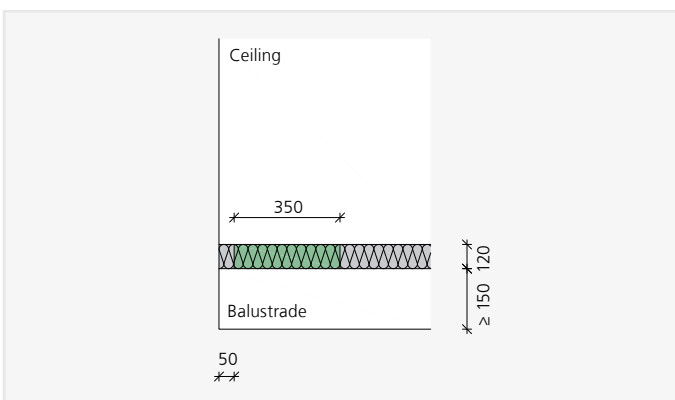
ASSIGNMENT AND DIMENSIONS

ISOMAXX®	IMTF
Unit length [mm]	350
Unit height h [mm]	160 - 250
Tension/pressure rods	3 Ø 8
Shear rods	2 x 2 Ø 6

MAX. PERMISSIBLE DISTANCE BTW. EXP. JOINTS

ISOMAXX®	IMTF
Distance between joints e [m]	21.7

DISTANCE FROM THE EDGE



CONCRETE COVERING

Unit height h [mm]	Concrete covering cv [mm]
160	30
170	35
180	40
190	45
200	30
210	35
220	40
230	45
240	50
250	55

The following distances must be maintained around the edges of ceilings or balustrades and around expansion joints:

- A 50 mm distance from the edge must be maintained around balustrades.
- Distance from the edge is not required around ceilings.

Our Applications Technology department would be pleased to assist in finding further solutions.

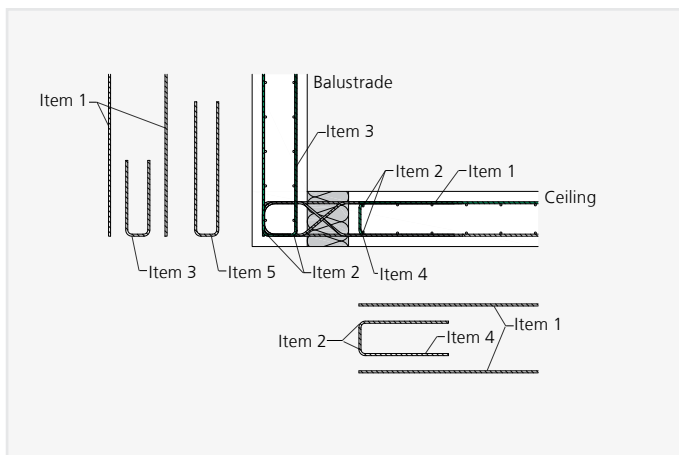
Phone: +49 (0) 7742 9215-300

Fax: +49 (0) 7742 9215-319

E-mail: technik@h-bau.de

SUPPLEMENTARY REINFORCEMENT

ISOMAXX® IMTF



- Item 1 connection reinforcement for the ISOMAXX® unit in the balustrade and in the ceiling – see table
- Item 2 spacing bar 2 x 2 Ø 8 on balustrade and ceiling side
- Item 3 connecting stirrup for the ISOMAXX® unit in the balustrade – see table
- Item 4 supplementary reinforcement for the ISOMAXX® unit – see table
- Item 5 connecting bars supplied ex works 3 Ø 8

CONNECTION AND SUPPLEMENTARY REINFORCEMENT

ISOMAXX®	Suppl. reinforcement Item 4	Connecting stirrup Item 3	Connection reinforcement Item 1
$a_{s,erf}$ [cm ² /m]	1.13	1.51	0.60
Suggestion	Ø 6/250	3 Ø 8	3 Ø 8

NOTES

- For the reinforcement and selection of distances between the ISOMAXX® IMTF units, note the ability for concreting.
- For ISOMAXX® IMTF units with parapet/balustrade widths of 130 to 160 mm, item 3 can be omitted, as this is covered by item 5.



ISOMAXX® IMO

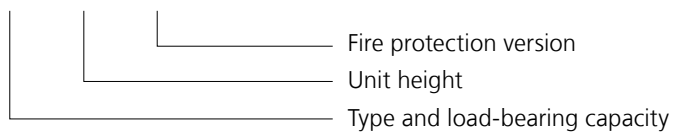
UNITS FOR CORBELS

ISOMAXX® IMO

- For corbels that are used to support masonry or prefabricated units
- For transferring positive shearing forces, the resulting negative moments and horizontal forces
- Load-bearing capacities IMO 16 and IMO 20
- Unit length 350 mm
- Unit heights 180 to 250 mm
- Concrete covering varies depending on the unit height – see unit structure
- Corbel width IMO 16 \geq 160 mm – IMO 20 \geq 200 mm
- Insulation thickness 120 mm
- Fire resistance class REI 120 available

TYPE DESIGNATION

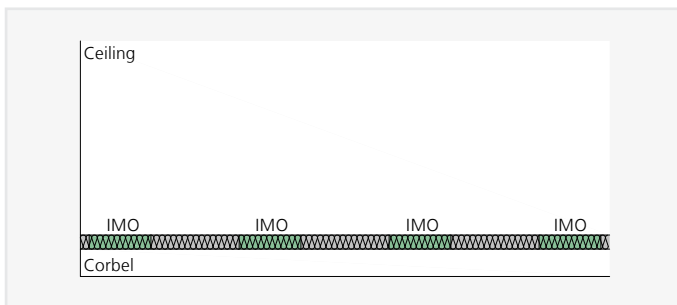
IMO 20 h200 REI 120



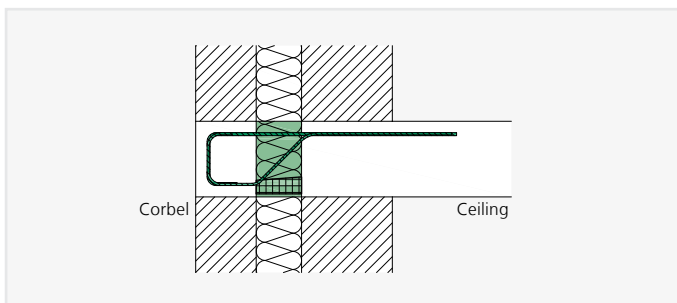
APPLICATION – UNIT ARRANGEMENT



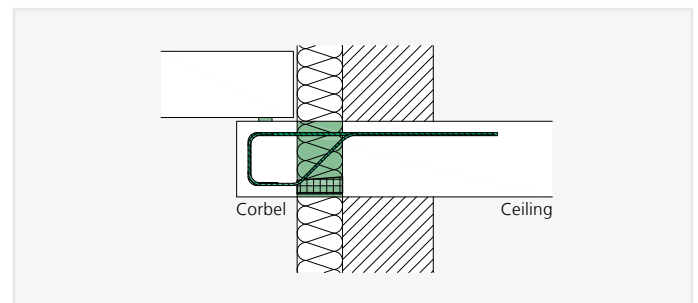
This chapter provides planning aids and specific information about this product. In addition, the general information on materials, design, building physics, installation on site, etc. on pages 10 – 25 has also to be considered.



ISOMAXX® IMO – Plan view of corbel

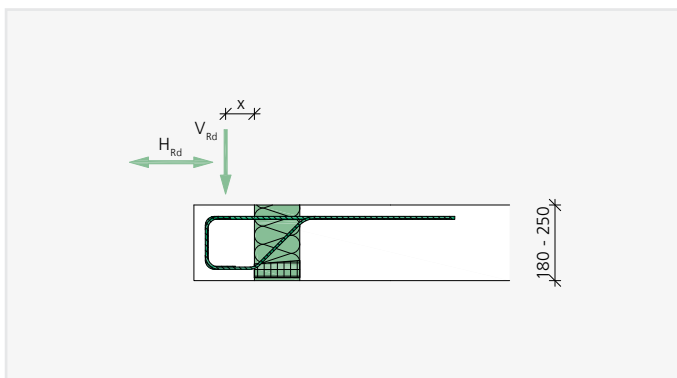


ISOMAXX® IMO – Corbel with facing masonry



ISOMAXX® IMO – Corbel as support for a prefabricated component, support with centring bearing

SIGN REGULATION/STATIC SYSTEM



DESIGN

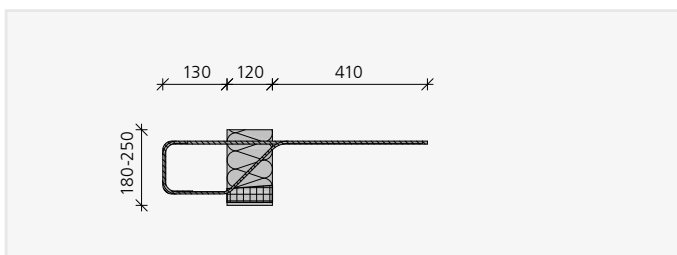
DESIGN TABLE IMO 16 FOR CONCRETE \geq C25/30

ISOMAXX®		IMO 16		
Load transfer point x [mm]		60 - 90	100	110
Shearing force V_{Rd} [kN] depending on the unit height h [mm]	180	26.9	25.9	17.3
	200	26.9	26.9	20.3
	220	26.9	26.9	23.3
	240	26.9	26.9	23.1
	250	26.9	26.9	22.9
Horizontal force H_{Rd} [kN]		± 2.5		

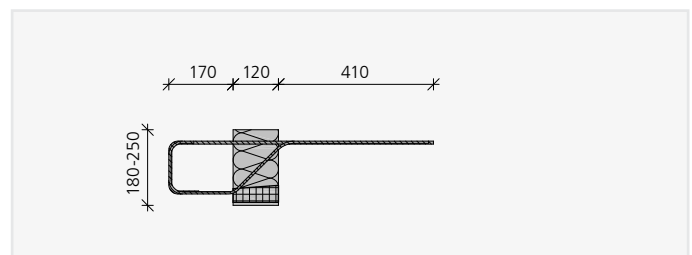
DESIGN TABLE IMO 20 FOR CONCRETE \geq C25/30

ISOMAXX®		IMO 20			
Load transfer point x [mm]		60 - 120	130	140	150
Shearing force V_{Rd} [kN] depending on the unit height h [mm]	180	29.1	25.2	18.5	12.7
	200	29.1	29.1	21.7	14.9
	220	29.1	29.1	24.9	17.1
	240	29.1	29.1	24.8	16.9
	250	29.1	29.1	24.6	16.8
Horizontal force H_{Rd} [kN]		± 2.5			

UNIT STRUCTURE IMO 16



UNIT STRUCTURE IMO 20



ASSIGNMENT AND DIMENSIONS

ISOMAXX®	IMO 16 und IMO 20
Unit length [mm]	350
Unit height h [mm]	180 - 250
Tension rods	2 $\varnothing 8$
Shear rods	3 $\varnothing 8$
Compression bearings	2

CONCRETE COVERING

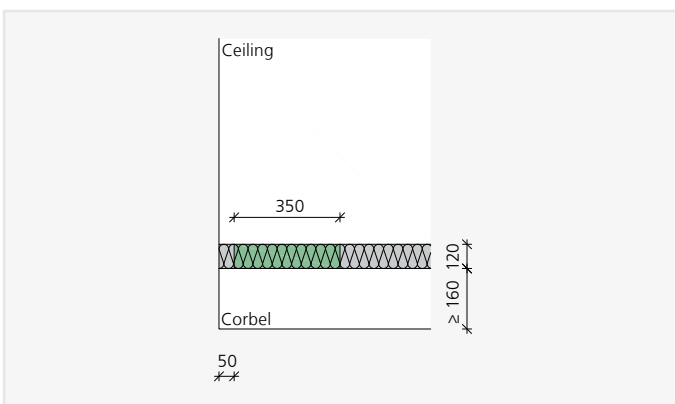
Unit height h [mm]	Concrete covering at top c_v [mm]	Concrete covering at bottom c_{v_u} [mm]
180	30	30
190	40	30
200	30	30
210	40	30
220	30	30
230	40	30
240	40	40
250	50	40

EXPANSION JOINTS – SUPPLEMENTARY REINFORCEMENT

MAXIMUM PERMISSIBLE DISTANCE BETWEEN EXPANSION JOINTS

ISOMAXX®	IMO
Distance between joints e [m]	21.7

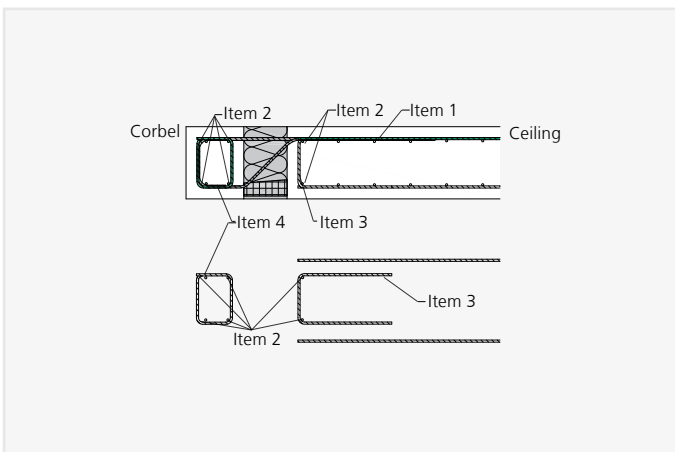
DISTANCE FROM THE EDGE



The following distances must be maintained around the edges of ceilings or balustrades and around expansion joints:

- A 50 mm distance from the edge must be maintained around corbels.
- Distance from the edge is not required around ceilings.

SUPPLEMENTARY REINFORCEMENT IMO



- Item 1 connection reinforcement for the ISOMAXX® unit 3 Ø 8
- Item 2 spacing bar 2 Ø 8 on the ceiling and at least 4 Ø 8 in the corbel
- Item 3 structural edging in accordance with DIN EN 1992-1-1 min. Ø 6/250
- Item 4 closed bar in the corbel in accordance with the structural engineer's specifications

Our Applications Technology department would be pleased to assist in finding further solutions.

Phone: +49 (0) 7742 9215-300

Fax: +49 (0) 7742 9215-319

E-mail: technik@h-bau.de



ISOMAXX® IMTS

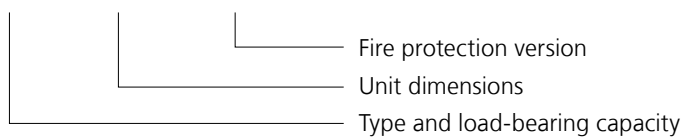
UNITS FOR CANTILEVERED JOISTS

ISOMAXX® IMTS

- For transferring negative moments and positive shearing forces
- Load-bearing capacities IMTS 1 to IMTS 4
- Unit widths 220 to 300 mm
- Unit heights 300 to 600 mm
- Anchoring length of the tension rods is designed for bonding area 1, "good bonding conditions"
Design for bonding area 2 "moderate bonding conditions", upon request
- Concrete covering c_v 50 mm at the top, bottom and side
- Fire resistance class R 90 available

TYPE DESIGNATION

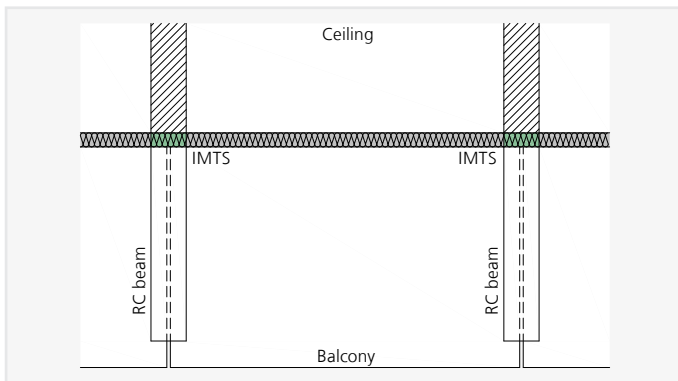
IMTS 2 b/h = 220/400 R 90



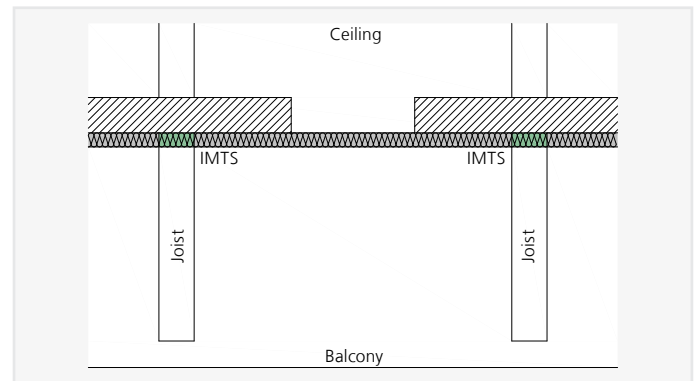
APPLICATION – UNIT ARRANGEMENT



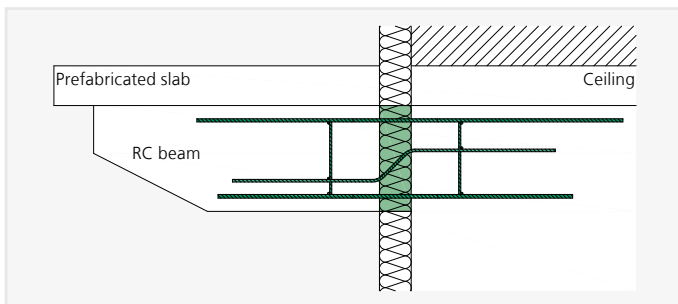
This chapter provides planning aids and specific information about this product. In addition, the general information on materials, design, building physics, installation on site, etc. on pages 10 – 25 has also to be considered.



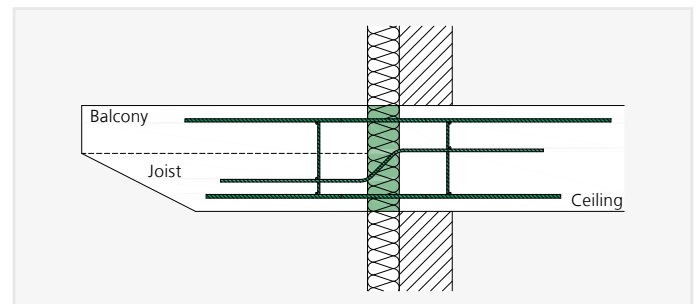
ISOMAXX® IMTS – Balcony structure with prefabricated slabs joined by a non-static connection, and load-carrying reinforced concrete beams



ISOMAXX® IMTS – Balcony structure with joists connected to the balcony slab monolithically



ISOMAXX® IMTS – Installation cross-section with prefabricated slabs



ISOMAXX® IMTS – Installation cross-section with joists connected to the balcony slab monolithically

DESIGN TABLE – UNIT STRUCTURE

DESIGN VALUES OF ALLOWABLE MOMENTS M_{Rd} [kNm] FOR CONCRETE \geq C25/30

Elementhöhe [mm]	ISOMAXX®			
	IMTS 1	IMTS 2	IMTS 3	IMTS 4
300	19.4	24.0	33.4	47.7
350	24.5	30.5	42.4	60.8
400	29.6	36.9	51.4	73.9
600	50.1	62.6	87.5	126.4

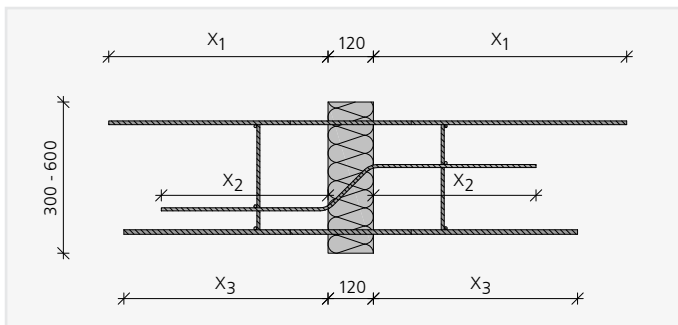
DESIGN VALUES OF ALLOWABLE SHEARING FORCES V_{Rd} [kN] FOR CONCRETE \geq C25/30

ISOMAXX®	IMTS 1	IMTS 2	IMTS 3	IMTS 4
Shearing force V_{Rd} [kN]	30.9	48.3	69.5	94.6

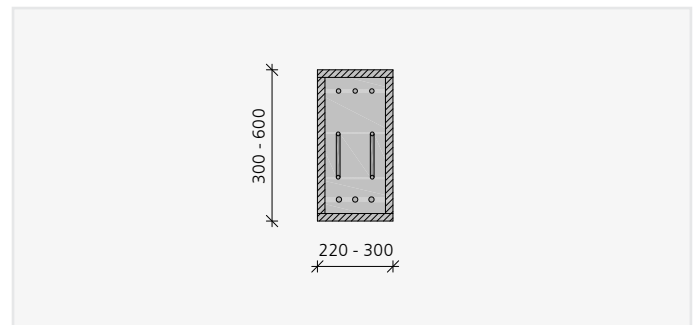
DIMENSIONS AND ASSIGNMENT

ISOMAXX®	IMTS 1	IMTS 2	IMTS 3	IMTS 4
Unit width [mm]	220 - 300			
Unit height [mm]	300 - 600			
Tension rods	3 Ø 10	3 Ø 12	3 Ø 14	3 Ø 16
Shear rods	2 Ø 8	2 Ø 10	2 Ø 12	2 Ø 14
Pressure rods	3 Ø 12	3 Ø 14	3 Ø 14	3 Ø 20

UNIT STRUCTURE



ISOMAXX® IMTS



ISOMAXX® IMTS – Version with fireproof panels – R 90

ISOMAXX®	IMTS 1	IMTS 2	IMTS 3	IMTS 4
Length tension rod X_1	740	860	860	860
Length shear rod X_2	440	555	660	775
Length pressure rod X_3	580	650	785	955

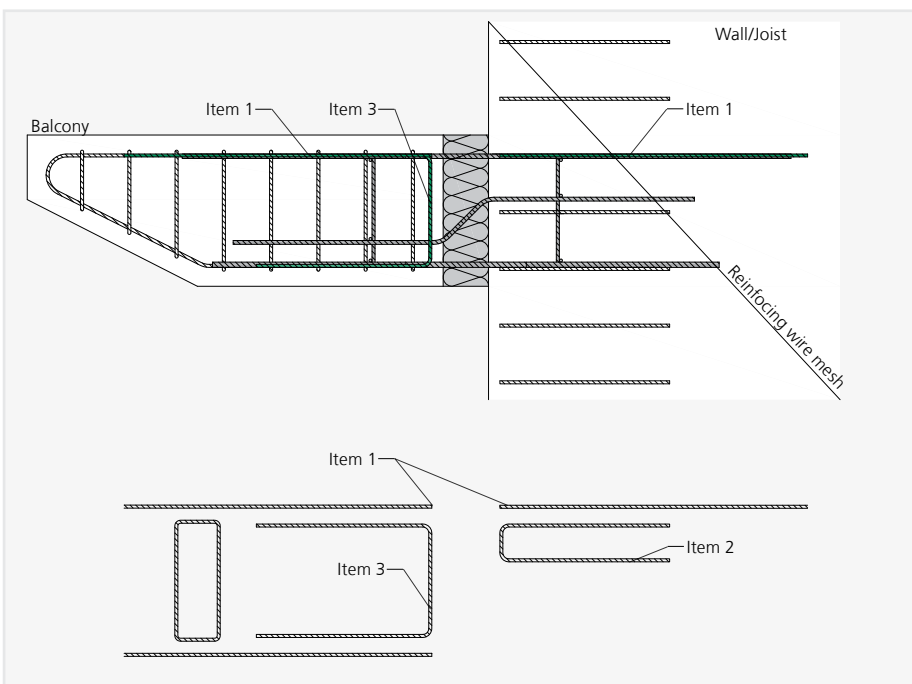
* The anchoring length of the tension rods is designed for bonding area 1, "good bonding conditions". On request, the anchoring length of the tension rods can also be designed for bonding area 2, "moderate bonding conditions".

EXPANSION JOINTS – SUPPLEMENTARY REINFORCEMENT

MAXIMUM PERMISSIBLE DISTANCE BETWEEN EXPANSION JOINTS

ISOMAXX®	IMTS 1	IMTS 2	IMTS 3	IMTS 4
Distance between joints e [m]	19.8	17.0	17.0	13.5

ISOMAXX® IMTS SUPPLEMENTARY REINFORCEMENT



- Item 1 connection reinforcement for the ISOMAXX® unit – see table
- Item 2 structural edging in accordance with DIN EN 1992-1-1 min. \varnothing 6/250
- Item 3 supplementary reinforcement for the ISOMAXX® unit – see table

CONNECTION REINFORCEMENT

ISOMAXX®	IMTS 1	IMTS 2	IMTS 3	IMTS 4
$a_{s,erf}$ [cm ² /m]	2.35	3.39	4.61	6.03
Suggestion	3 \varnothing 10	3 \varnothing 12	3 \varnothing 14	3 \varnothing 16

SUPPLEMENTARY REINFORCEMENT

ISOMAXX®	IMTS 1	IMTS 2	IMTS 3	IMTS 4
$a_{s,erf}$ [cm ² /m]	0.71	1.11	1.59	2.17
Suggestion	2 \varnothing 8	2 \varnothing 10	2 \varnothing 10	2 \varnothing 12

Our Applications Technology department would be pleased to assist in finding further solutions.
 Phone: +49 (0) 7742 9215-300
 Fax: +49 (0) 7742 9215-319
 E-mail: technik@h-bau.de



ISOMAXX® IMTW

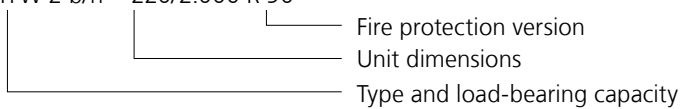
UNITS FOR CANTILEVERED RC WALLS

ISOMAXX® IMTS

- For transferring negative moments, positive shearing forces and horizontal forces
- Load-bearing capacities IMTW 1 to IMTW 4
- Unit widths 150 to 250 mm
- Unit heights 1.500 to 3.500 mm
- Anchoring length of tension rods for bonding area 2 – „moderate bonding conditions"
- Concrete covering c_v 50 mm at the top and bottom and c_v 25 to c_v 50 at the side, depending on the unit width
- Fire resistance class R 90 available
- Delivery of the units in at least three sub-units – bottom section with pressure and shear rods, intermediate section and top section with tension rods. For large unit heights, additional intermediate sections are added.

TYPE DESIGNATION

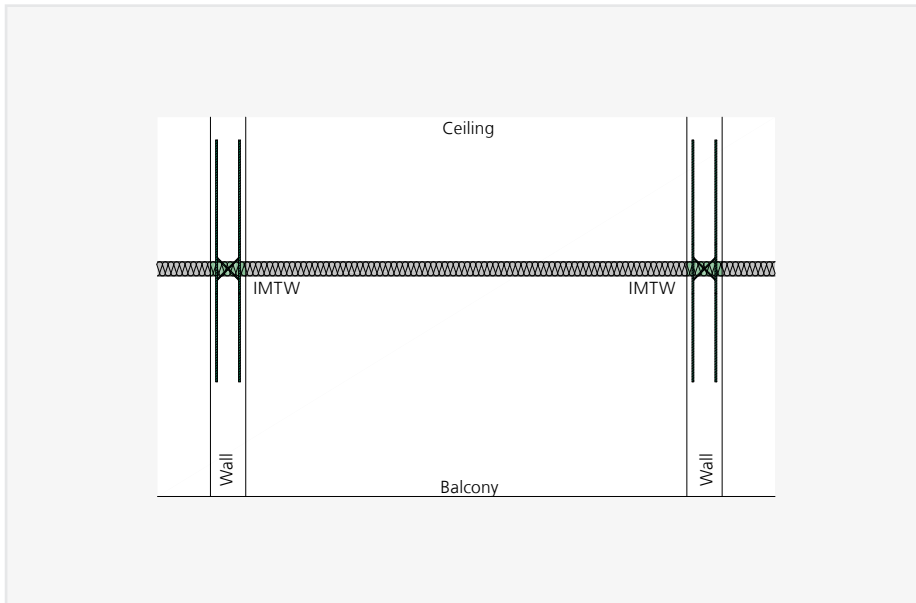
IMTW 2 b/h = 220/2.000 R 90



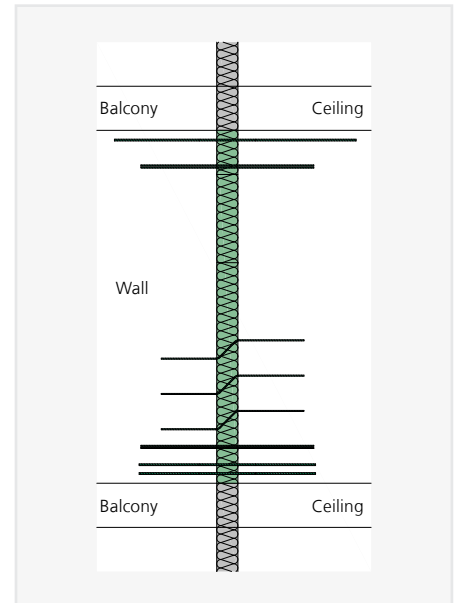
APPLICATION



This chapter provides planning aids and specific information about this product. In addition, the general information on materials, design, building physics, installation on site, etc. on pages 10 – 25 has also to be considered.



ISOMAXX® IMTW – Arrangement of units in the floor plan in combination with a balcony slab



ISOMAXX® IMTW – Installation cross-section with wall slab connected to the balcony slab monolithically

DESIGN TABLE FOR CONCRETE \geq C25/30

DESIGN VALUES OF ALLOWABLE MOMENTS M_{Rd} [kNm]

Unit height [mm]	ISOMAXX®			
	IMTW 1	IMTW 2	IMTW 3	IMTW 4
≥ 1.500	64.7	127.0	178.7	178.7
≥ 1.750	76.6	150.7	212.7	212.7
≥ 2.000	88.4	174.4	246.8	246.8
≥ 2.250	100.3	198.1	280.8	280.8
≥ 2.500	112.1	221.8	314.8	314.8
≥ 2.750	124.0	245.5	348.8	348.8
≥ 3.000	135.8	269.2	382.9	382.9

DESIGN VALUES OF ALLOWABLE SHEARING FORCES V_{Rd} [kN] AND HORIZONTAL FORCES H_{Rd} [kN]

ISOMAXX®	IMTW 1	IMTW 2	IMTW 3	IMTW 4
Shearing force V_{Rd} [kN]	52.1	92.7	154.5	241.3
Horizontal force H_{Rd} [kN]	± 17.4	± 17.4	± 17.4	± 17.4

DIMENSIONS AND ASSIGNMENT

ISOMAXX®	IMTW 1	IMTW 2	IMTW 3	IMTW 4
Unit width [mm]	150 - 250			
Unit height [mm]	1.500 - 3.500			
Tension rods	2 \emptyset 10	4 \emptyset 10	4 \emptyset 12	4 \emptyset 12
Shear rods	6 \emptyset 6	6 \emptyset 8	10 \emptyset 8	10 \emptyset 10
Horizontal rods	2 x 2 \emptyset 8			
Pressure rods	4 \emptyset 10	6 \emptyset 10	6 \emptyset 12	6 \emptyset 14

NOTES ON DESIGN

- The anchoring length of the tension rods is designed for connection area 2, "moderate connection conditions".
- Moments from wind loads perpendicular to the wall slab cannot be borne by the ISOMAXX® IMTW unit. These loads are transferred through the stiffening effect of the monolithically connected balcony slabs. If this is not possible, the ISOMAXX® IMTW unit can be supplemented with an ISOMAXX® IMTD unit. This then replaces the intermediate component.

Our Applications Technology department would be pleased to assist in finding further solutions.
 Phone: +49 (0) 7742 9215-300
 Fax: +49 (0) 7742 9215-319
 E-mail: technik@h-bau.de

DISTANCE BETWEEN EXPANSION JOINTS

DISTANCE BETWEEN EXPANSION JOINTS

If the component dimensions exceed the maximum permissible distance between expansion joints, expansion joints must be arranged perpendicular to the insulation plane. The maximum permissible distance between expansion joints e is dependent on the maximum rod diameter guided across the expansion joint and is thus type-dependent.

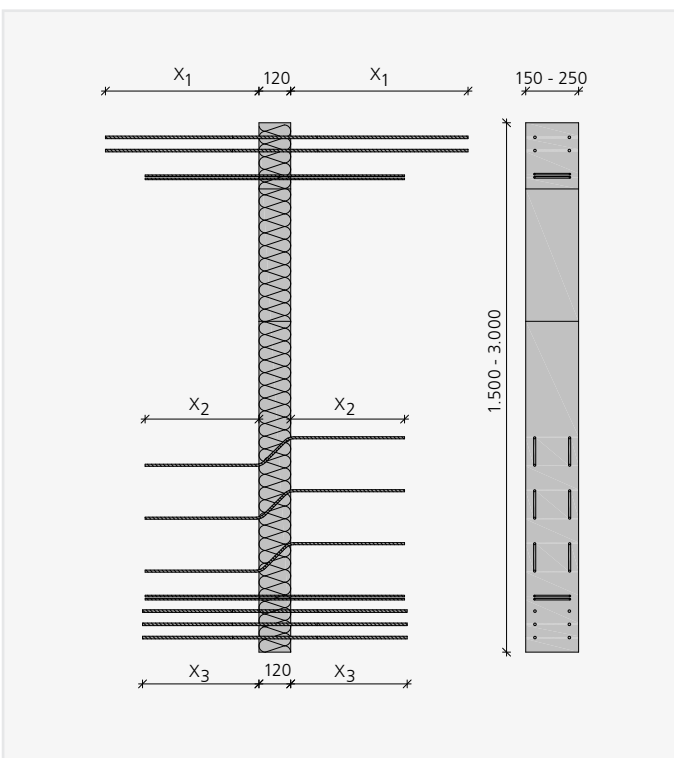
Fixed points, such as support above a corner, result in increased constraints. As a result, the maximum permissible distance between expansion joints must be reduced to $e/2$. Half of the maximum distance between expansion joints is always measured from the fixed point.

If walls joined using ISOMAXX® IMTW have a rigid connection with long balcony slabs, the maximum distances between expansion joints specified below shall apply.

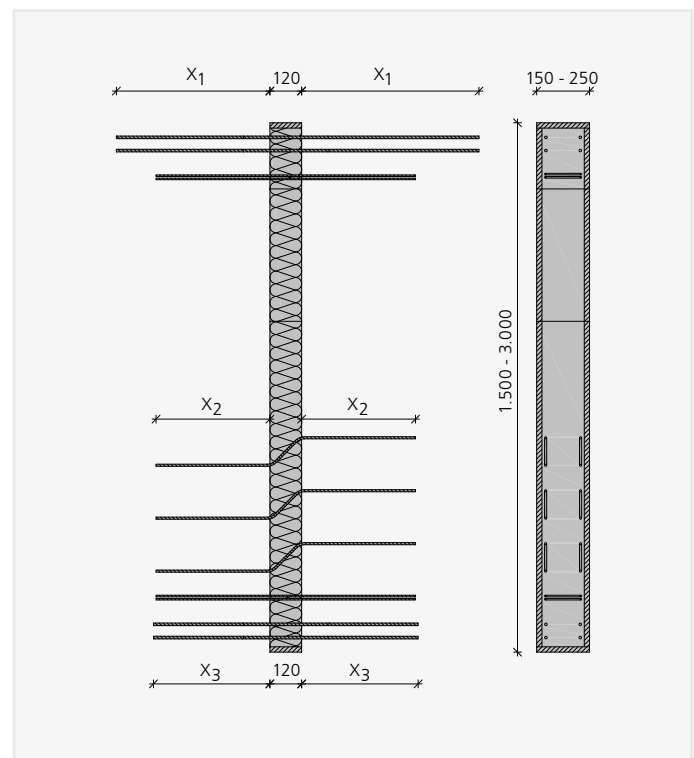
MAXIMUM PERMISSIBLE DISTANCE BETWEEN EXPANSION JOINTS

ISOMAXX®	IMTW 1 und IMTW 2	IMTW 3	IMTW 4
Distance between joints e [m]	21.7	19.8	17.0

UNIT STRUCTURE ISOMAXX® IMTW



ISOMAXX® IMTW

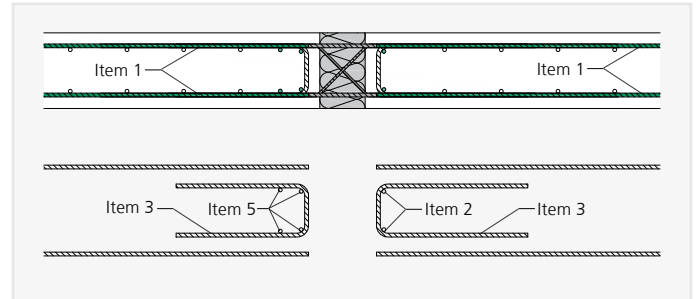
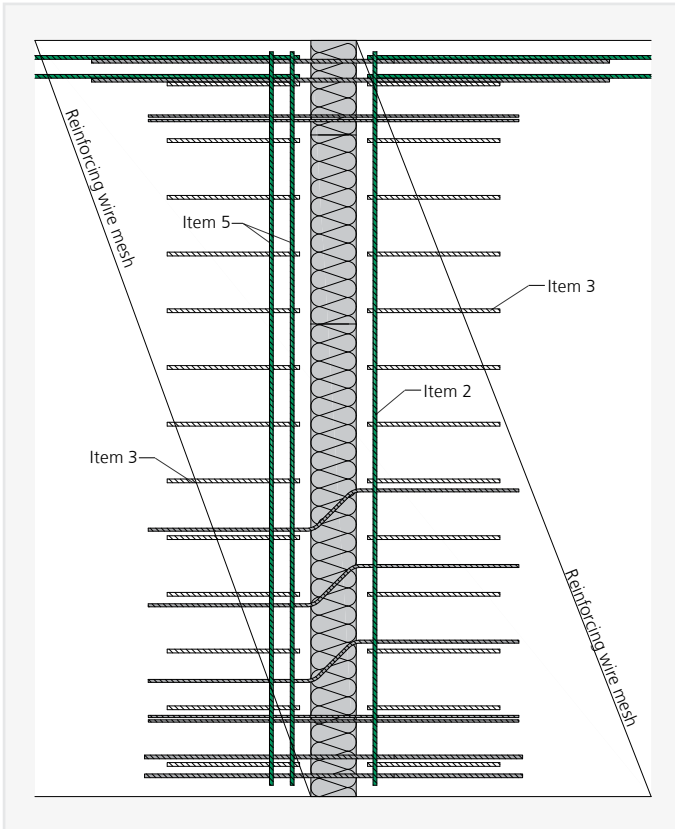


ISOMAXX® IMTW – Version with fireproof panels – R 90

ISOMAXX®	IMTW 1	IMTW 2	IMTW 3	IMTW 4
Length tension rod X_1	740	740	860	860
Length shear rod X_2	330/390	440	440	555
Length horizontal shear rod	450	450	450	450
Length pressure rod X_3	480	480	570	650

SUPPLEMENTARY REINFORCEMENT

ISOMAXX® IMTW



- Item 1 connection reinforcement for the ISOMAXX® unit – see table
- Item 2 spacing bar 2 Ø 8
- Item 3 structural edging in accordance with structural engineer's specifications
- Item 5 supplementary reinforcement for the ISOMAXX® unit, anchored with stirrups – see table
- During concreting, even filling and compression on both sides must be ensured, as well as secure positioning.

CONNECTION REINFORCEMENT ITEM 1

ISOMAXX®	IMTW 1	IMTW 2	IMTW 3	IMTW 4
$a_{s,erf}$ [cm ² /m]	1.57	3.14	4.5	4.5
Suggestion	2 Ø 10	4 Ø 10	4 Ø 12	4 Ø 12

SUPPLEMENTARY REINFORCEMENT ITEM 5

ISOMAXX®	IMTW 1	IMTW 2	IMTW 3	IMTW 4
$a_{s,erf}$ [cm ² /m]	1.19	2.13	3.55	5.54
Suggestion	2 x 2 Ø 8	2 x 2 Ø 10	2 x 2 Ø 12	2 x 2 Ø 14





ISOMAXX® Z-ISO

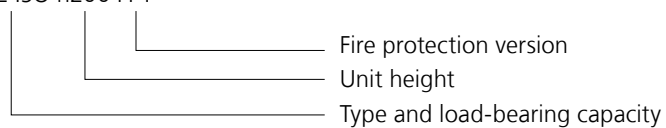
UNITS AS INTERMEDIATE INSULATION

ISOMAXX® Z-ISO

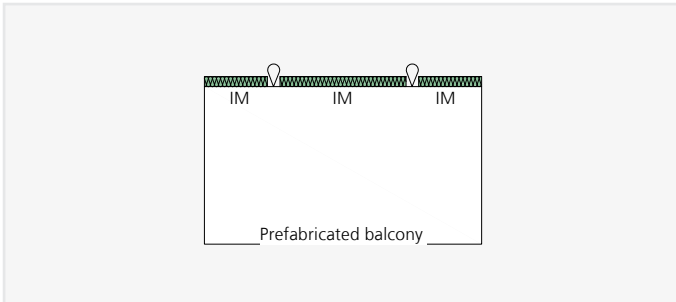
- No structural function
- Length 1000 mm
- Unit heights from 160 mm to 250 mm
- Short units on request.
- Fire resistance class EI 120 (FP 1) with fireproof panels available

TYPE DESIGNATION

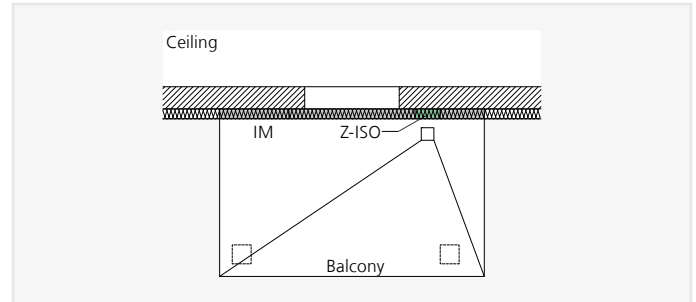
IM Z-ISO h200 FP1



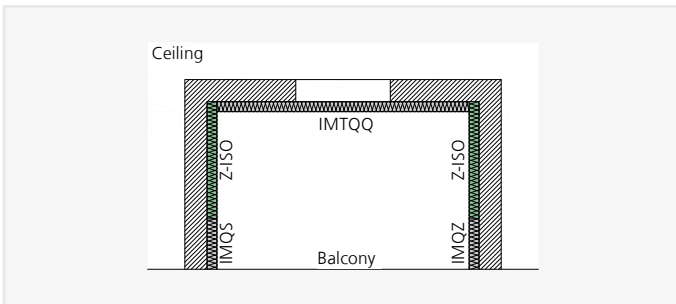
APPLICATION – UNIT ARRANGEMENT



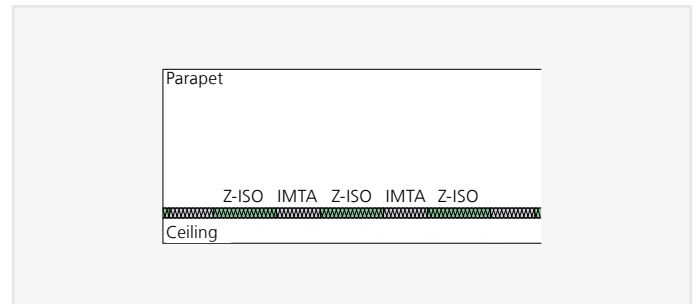
ISOMAXX® Z-ISO – Balcony as prefabricated component with transport anchor – the Z-ISO units are added on site



ISOMAXX® Z-ISO – Balcony on supports – Z-ISO units in the drainage recess area

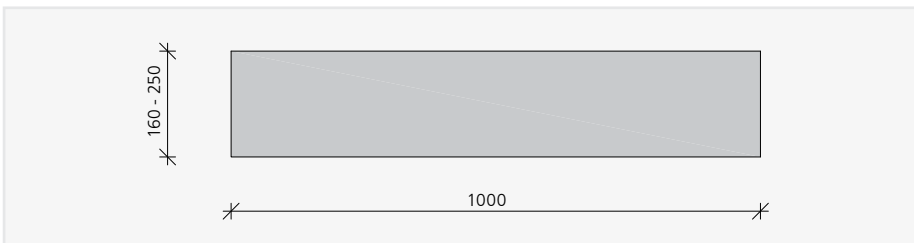


ISOMAXX® Z-ISO – Loggia with support at specific points with IMQS/IMQZ

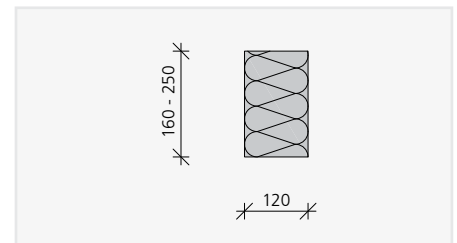


ISOMAXX® Z-ISO – Use of parapet units ISOMAXX® IMTA at specific points

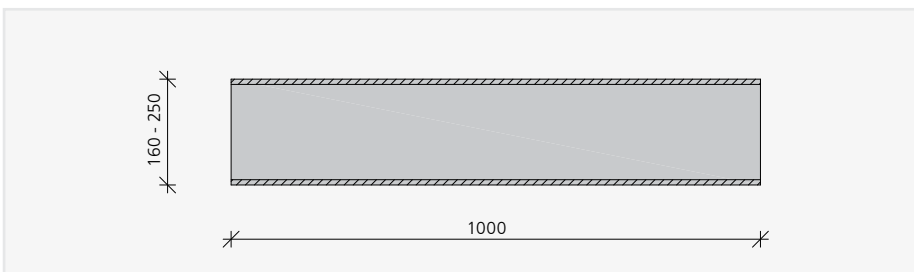
UNIT STRUCTURE



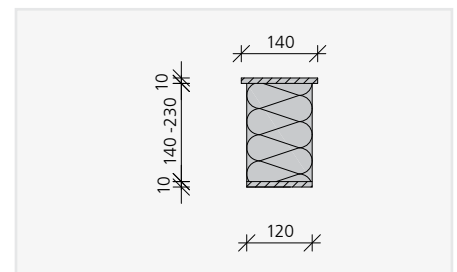
ISOMAXX® Z-ISO – Product view



ISOMAXX® Z-ISO – Product cross-section



ISOMAXX® Z-ISO FP1 – Product view with fireproof panels at the top and bottom



ISOMAXX® Z-ISO FP1 – Product cross-section

NOTES

- When using ISOMAXX® Z-ISO units, it must be ensured that the length and thus also the load-bearing capacity of the line connection are reduced by the percentage of the length of the Z-ISO elements in relation to the total connection length.
- The fire resistance class of the Z-ISO FP1 unit corresponds to the maximum fire resistance class of the statically load-bearing ISOMAXX® units used in the line connection. E.g. Z-ISO in combination with ISOMAXX® units with compression bearings – REI 120; Z-ISO in combination with ISOMAXX® units with pressure rods – R 90.

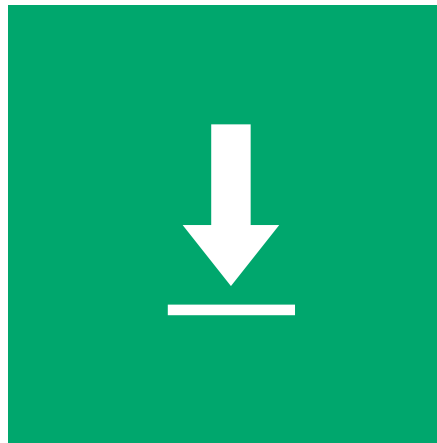
FORWARD CONSTRUCTING: WE ARE ALWAYS THERE FOR YOU.

You can rely on our excellent service: We accompany you through every phase of the project – either over the phone, online or in person, directly at your site. As a true partner, we place special value on offering our customers added value – take a look at our comprehensive range of services and see for yourself.



READY TO GO: OUR TENDER DOCUMENT TEMPLATES.

Our tender document templates can be quickly and easily embedded in your tender program, e.g. with the tender managers at www.ausschreiben.de or www.heinze.de.



EVERYTHING ONLINE: OUR DOWNLOAD AREA.

You can download all brochures, test reports, approvals, our current price list and much more from our website.



FOR PLANNING AND APPLICATION: OUR VIDEOS AND SOFTWARE.

In addition to our installation and reference films, we also provide you with various software solutions, such as calculation programs, free of charge on our website.



HOTLINES

Personalised support when planning and executing projects:

Answers to any questions you have about delivery times, shipping, sales prices and the entire process of fulfilling your orders you receive from our PohlCon sales service Germany, division H-BAU:

APPLICATION TECHNOLOGY

Hotline: +49 (0) 7742 9215-300
E-mail: technik@h-bau.de

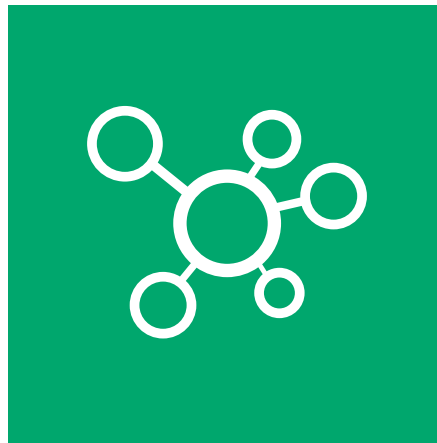
SALES (GERMANY)

Hotline: +49 (0) 30 68283803
Email: vertrieb-hbau@pohlcon.com



**TAILOR-MADE:
OUR SPECIAL CONSTRUCTIONS.**

Unable to find what you're looking for in our wide range of products and services? Our engineers and applications specialists can develop tailor-made product solutions for you on request.



**FROM PERSON TO PERSON:
OUR NETWORK OF CONSULTANTS.**

Get the answers to your technical questions face-to-face at your site: Our consultant engineers will be happy to come to your site.



**THE LATEST NEWS:
OUR NEWSLETTER.**

Subscribe to our newsletter and you will always be kept up-to-date: Find out more about our product innovations, trade shows and current trends in the sector.

Answers to any questions you have about delivery times, shipping, sales prices and the entire process of fulfilling your orders at an international level you receive from our PohlCon international sales service, division H-BAU:

We will be happy to send you our technical brochures and planning documents:

SALES (INTERNATIONAL)

Hotline: +49 (0) 30 68283806
Email: sales-hbau@pohlcon.com

HEAD OFFICE

Hotline: +49 (0) 7742 9215-0
E-mail: info@h-bau.de

FORWARD CONSTRUCTING CONTACTS: WE WILL BE WHEREVER YOU ARE.

Thanks to our global sales network, expert specialist advisors are available to you on a national level and on an international level. If there is no contact partner listed for your country, contact our Head Office in Klettgau – we will be happy to provide you with further assistance.



HEAD OFFICE

H-BAU TECHNIK GMBH

Am Güterbahnhof 20
79771 Klettgau, Germany
Phone: +49 (0) 7742 9215-0
Fax: +49 (0) 7742 9215-129
E-mail: info@h-bau.de
www.h-bau.com

PRODUCTION: NORTH-EAST

Brandenburger Allee 30
14641 Nauen OT Wachow, Germany
Phone: +49 (0) 33239 775-0
Fax: +49 (0) 33239 775-90
E-mail: info.berlin@h-bau.de

PRODUCTION CHEMNITZ

Beyerstraße 21
09113 Chemnitz, Germany
Phone: +49 (0) 371 40041-0
Fax: +49 (0) 371 40041-99
E-mail: info.chemnitz@h-bau.de

GLOBAL PARTNERS

SWITZERLAND

JORDAHL H-BAU AG
 Wasterkingergweg 2
 8193 Eglisau, Switzerland
 Phone: +41 (0) 44 8071717
 Fax: +41 (0) 44 8071718
 E-mail: info@jordahl-hbau.ch
 www.jordahl-hbau.ch

AUSTRIA

JORDAHL H-BAU
 Österreich GmbH
 Straubingstrasse 19
 4030 Linz, Austria
 Phone: +43 (0) 732 321900
 Fax: +43 (0) 732 321900-99
 E-mail: office@jordahl-hbau.at
 www.jordahl-hbau.at

DENMARK

Jordahl & Pfeifer Byggeteknik A/S
 Risgårdevej 66
 9640 Farsø, Denmark
 Phone: +45 (0) 98 631900
 Phone: +45 (0) 98 631939
 E-mail: info@jordahl-pfeifer.dk
 www.jordahl-pfeifer.dk

HUNGARY

PFEIFER Garant Kft.
 Gyömrői út 128
 1103 Budapest, Hungary
 Phone: +36 (0) 1 2601014
 Fax: +36 (0) 1 2620927
 E-mail: info@pfeifer-garant.hu
 www.pfeifer-garant.hu

UNITED KINGDOM

J&P Building Systems Ltd.
 Unit 5
 Thame Forty
 Jane Morbey Road
 THAME, OXON OX9 3RR, UK
 Phone: +44 (0) 1844 215200
 Fax: +44 (0) 1844 263257
 enquiries@jandpbuidingsystems.com
 www.jp-uk.com

UKRAINE

JORDAHL & PFEIFER
 Technika Budowlana
 ul. Pawlyka 17a
 76-018 Ivano-Frankivsk, Ukraine
 Phone Reg. East: +380 (0) 67442 8578
 Phone Reg. West: +380 (0) 67442 8579
 E-mail: info@j-p.com.ua

CZECH REPUBLIC

Jordahl & Pfeifer
 Stavební technika s.r.o.
 Bavorská 856/14
 15500 Prague 5, Czech Republic
 Phone: +420 (0) 272 700701
 Fax: +420 (0) 272 700704
 E-mail: info@jpcz.cz
 www.jpcz.cz

SPAIN

PFEIFER Cables y Equipos de Elevación, S.L.
 Avda.de Los Pirineos, 25 – Nave 20
 San Sebastian de los Reyes
 28700 Madrid, Spain
 Phone: +34 (0) 91 659 3185
 Fax: +34 (0) 91 659 3139
 E-mail: p-es@pfeifer.de
 www.pfeifer.es

SINGAPORE

J&P Building Systems Pte Ltd.
 No. 48 Toh Guan Road East
 #08-104 Enterprise Hub
 SINGAPORE 608586
 Phone: +65 (0) 6569 6131
 Fax: +65 (0) 6569 5286
 E-mail: info@jnp.com.sg
 www.jnp.com.sg

ROMANIA

S.C. JORDAHL & PFEIFER TEHNICĂ DE
 ANCORARE S.R.L
 Str. Malului Nr. 7, et.1
 550197 Sibiu jud. Sibiu, Romania
 Phone: +40 (0) 269 246098
 Fax: +40 (0) 269 246099
 E-mail: info@jordahl-pfeifer.ro
 www.jordahl-pfeifer.ro

POLAND

JORDAHL & PFEIFER TECHNIKA
 BUDOWLANA SP. Z O. O.
 ul. Wrocławska 68
 55-330 Krępiec k/Wrocławia, Poland
 Phone: +48 (0) 71 3968264
 Fax: +48 (0) 71 3968105
 E-mail: biuro@jordahl-pfeifer.pl
 www.j-p.pl

Disclaimer

1. This work and all its parts are protected by copyright law. Use of this work is not permitted without the agreement of H-BAU Technik GmbH. 2. All texts and diagrams in this printed product have been developed and compiled with the utmost care and serve to provide preliminary information. Nevertheless, errors cannot be completely excluded. The publisher shall assume no liability, irrespective of the legal grounds for this. Previous documents shall become invalid with the issue of this document.



Forward Constructing.

H-BAU TECHNIK GMBH

Am Güterbahnhof 20

D-79771 Klettgau

Phone: +49 7742 9215-0

Fax: +49 7742 9215-129

Email: info@h-bau.de